

**LUCCI
AIRFUSION AKMANI
DC CEILING FAN**

- **INSTALLATION**
- **OPERATION**
- **MAINTENANCE**
- **WARRANTY INFORMATION**

CAUTION
**READ INSTRUCTIONS CAREFULLY FOR SAFE
INSTALLATION AND FAN OPERATION.**

CONTENTS

GB Installation Instruction Manual 2

D Installationsanleitung11

F Guide d'installation.....21

E Manual de instrucciones de instalación.....30

I Manuale delle istruzioni di installazione.....39

NL Installatiehandleiding.....48



This fan is suitable for indoor use only.

GB

CONGRATULATIONS ON YOUR PURCHASE

Congratulations on purchasing the latest in energy saving ceiling fans. This fan runs on DC (direct current) power which gives it the benefit of being super energy efficient whilst still maintaining high volume air-movement and silent operation.

Energy Saving - The DC motor is the latest technology in fan design. Its highly efficient motor saves up to 65% more energy than ceiling fans with traditional AC motors.

Silent operation – this DC fan motor is programmed with a stabilized current which efficiently reduces motor noise.


Low operating temperature – The DC power is managed effectively which brings down the motor operating temperature to less than 50degs. This results in a much cooler motor than a standard AC fan and increases the longevity of the motor.

6 speed remote control, regular AC ceiling fans usually come with only 3 speeds, this DC fan comes complete with a 6 speed remote, which gives greater choice of comfort levels.

SAFETY PRECAUTIONS

- 1) Europe: This appliance can be used by children aged from 8 years and above and persons with reduced physical, sensory or mental capabilities or lack of experience and knowledge if they have been given supervision or instruction concerning use of the appliance in a safe way and understand the hazards involved. Cleaning and maintenance shall not be undertaken by children without supervision.
- 2) Australia: This appliance is not intended for use by young children or infirm persons unless they have been adequately supervised by a responsible person to ensure that they can use the appliance safely.
- 3) Children should be supervised to ensure that they do not play with the appliance.
- 4) An all-pole disconnection switch must be incorporated in the fixed wiring in accordance with the wiring rules.



- 5)  Do not dispose of electrical appliances as unsorted municipal waste, use separate collection facilities. Contact your local government for information regarding the collection systems available. If electrical appliances are disposed of in landfills or dumps, hazardous substances can leak into the groundwater and get into the food chain, damaging your health and well-being.
- 6) The structure to which the fan is to be mounted must be capable of supporting a weight of 40kg.
- 7) The fan should be mounted so that the blades are at least **2.3** metres above the floor for Europe.
- 8) The fan should be mounted so that the blades are at least **2.1** metres above the floor for Australia.
- 9) This fan is suitable for indoor use only. Mounting the fan in a situation where it is subject to water or moisture is dangerous.
- 10) Only an authorized electrician should execute the installation.



BEFORE INSTALLATION

Unpack your fan and check contents. You should have the following:

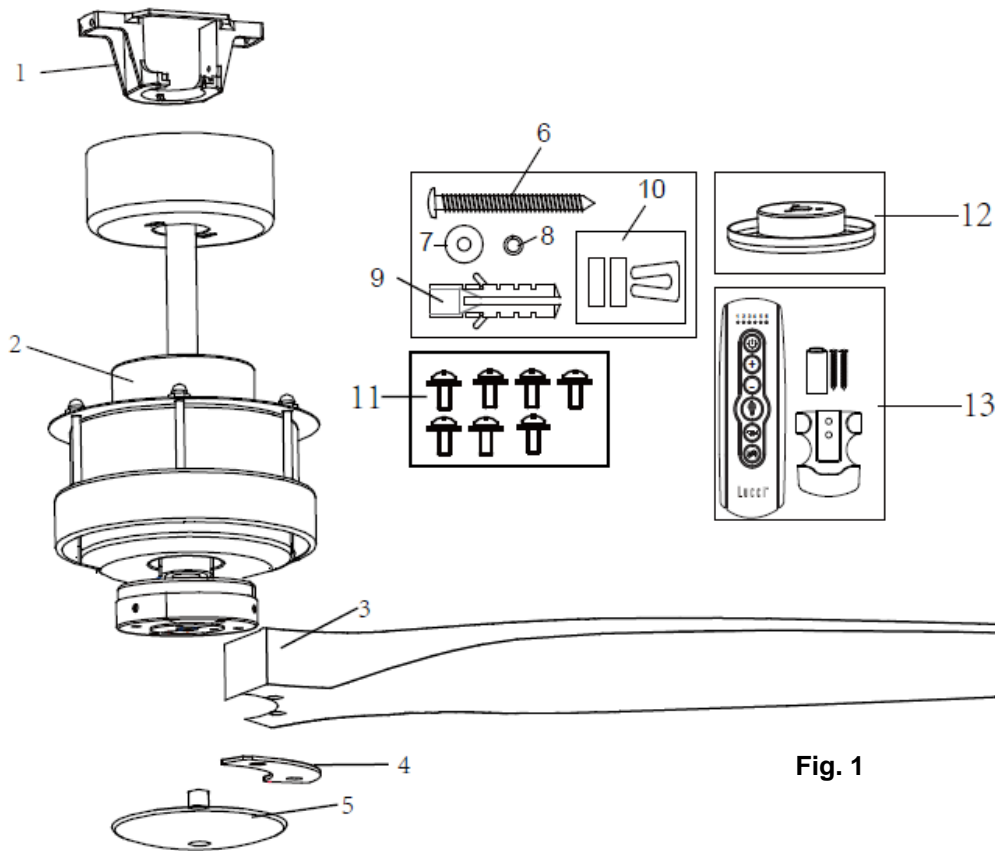


Fig. 1

- | | |
|--|--------------------------------|
| 1. Mounting bracket x 1 | 7. Flat washers x 2 |
| 2. Fan assembly with hanger cover, down rod, canopy cover and canopy x 1 | 8. Spring washers x 2 |
| 3. Blades x 3 | 9. Wall plugs for screws x 2 |
| 4. Blade kits x 3 | 10. Balance kits x 1 set |
| 5. Bottom cover x 1 | 11. Motor screws for blade x 7 |
| 6. Wooden screws x 2 | 12. Light kit adaptor x 1 |
| | 13. Remote hand set x 1 set |



INSTALLING THE FAN

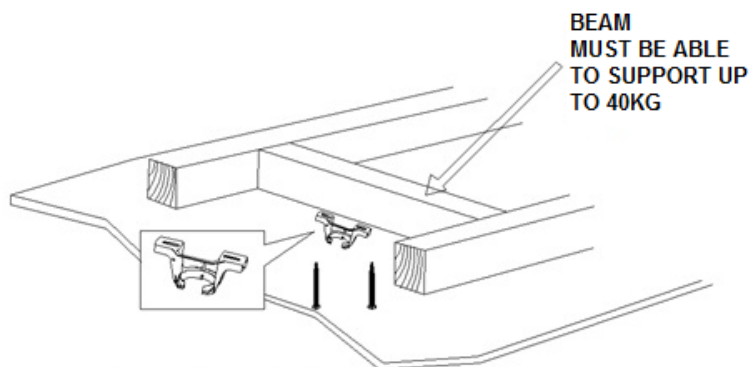
TOOLS REQUIRED:

- Phillips / flat head screwdriver
- Pair of pliers
- Adjustable spanner
- Step ladder
- Wire cutter
- Wiring, supply cable as required by local provincial and national wiring codes and regulations.

INSTALLING THE MOUNTING BRACKET

The ceiling fan must be installed in a location so that the blades are 300mm spacing from the tip of the blade to the nearest objects or walls.

Secure the hanging bracket to the ceiling joist or structure that is capable of carrying a load of at least 40kg, with two long screws provided. Ensure at least 30mm of the screw is threaded into the support.



NOTE: THIS PICTURE IS FOR REPRESENTATION ONLY AND DOES NOT REPRESENT THE ACTUAL BRACKET.

Fig. 2

NOTE: The bracket screws provided are for use with wooden structures only. For structures other than wood, the appropriate screw type MUST be used.

ANGLED CEILING INSTALLATION

This fan hanging system supports a maximum 15 degree angled ceiling installation.

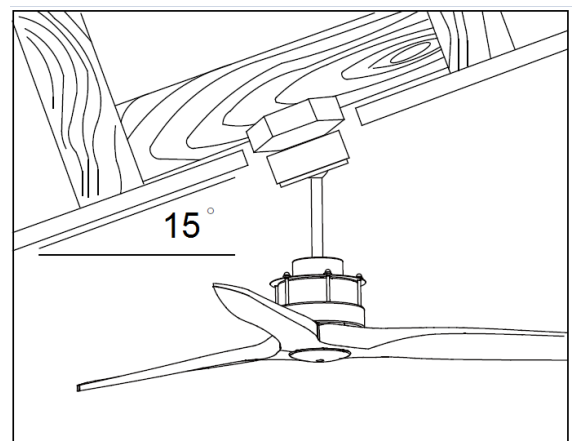


Fig. 3



HANGING THE FAN MOTOR ASSEMBLY

- Lift the fan assembly onto the mounting bracket. Fig. 4
- Ensure the notch of the ball joint is positioned on the stopper of the mounting bracket to prevent the fan from rotating when in operation. Fig. 5

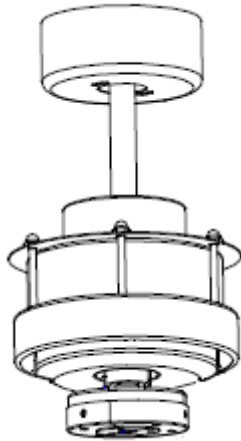


Fig. 4

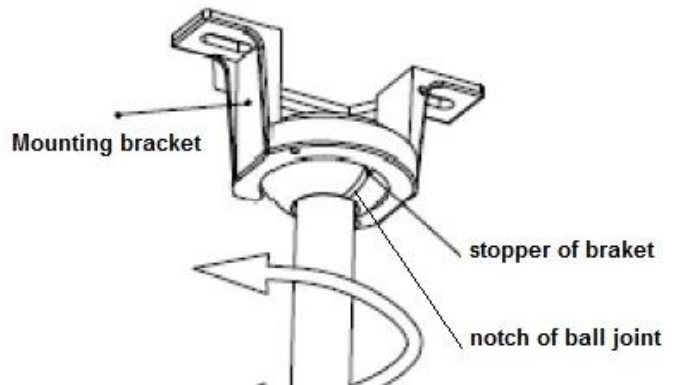


Fig. 5

PREPARE AND COMPLETE THE ELECTRICAL WIRING --- WIRING DIAGRAM (FIG. 6)

WARNING: FOR YOUR SAFETY ALL ELECTRICAL CONNECTIONS MUST BE UNDERTAKEN BY A LICENSED ELECTRICIAN.

NOTE: AN ADDITIONAL ALL POLE DISCONNECTION SWITCH MUST BE INCLUDED IN THE FIXED WIRING. PLEASE MAKE SURE THE MAIN SWITCH HAS BEEN TURNED OFF BEFORE CONNECTING.

NOTE: IF THERE ARE TWO OR MORE DC CEILING FANS INSTALLED IN THE ONE LOCATION, AN ISOLATION SWITCH IS REQUIRED FOR EACH CEILING FAN. THIS IS REQUIRED WHEN PROGRAMMING THE REMOTE AND RECEIVER TO PAIR TOGETHER.

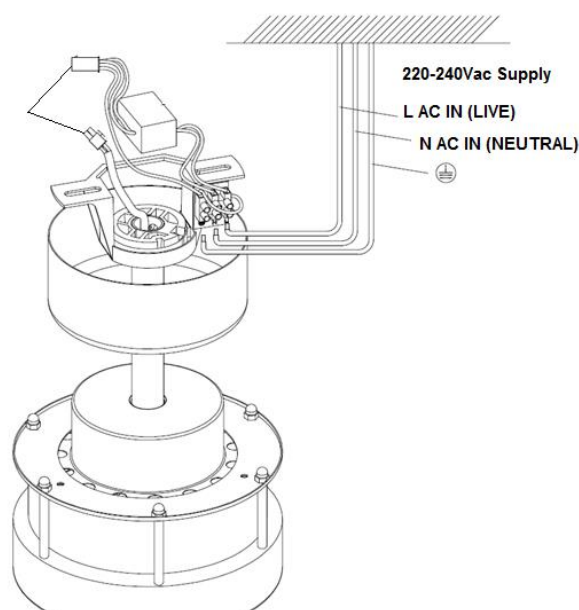


Fig. 6



Airfusion Akmani Installation Instructions

INSTALL CANOPY COVER

- Loosen the 2 screws from the bottom of the mounting bracket. Fig. 7
- Slide the canopy up to the mounting bracket and place the key hole on the canopy over the screw on the mounting bracket, turn the canopy until it locks in place at the narrow section of the key holes and secure it by tightening the two set screws. Avoid damaging the electrical wiring prepared previously.

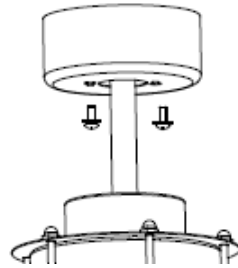


Fig. 7

BLADE INSTALLATION

- Insert the blade screws through the blade kit and blade then secure the blade to the motor by tightening the 2 screws. Fig.8
- Repeat this process to install the other blades to the motor.
- Finally install the bottom cover to the light kit housing by rotating it clockwise. Fig. 9

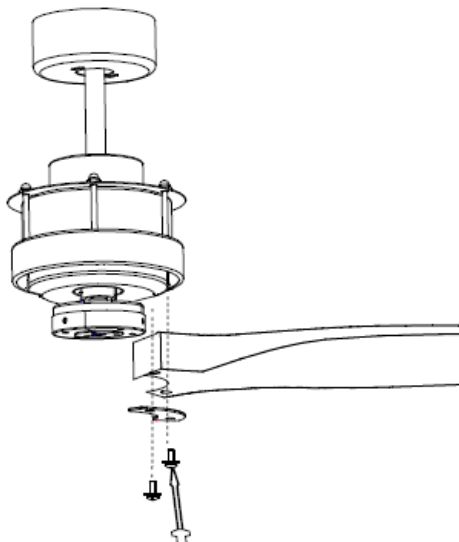


Fig. 8

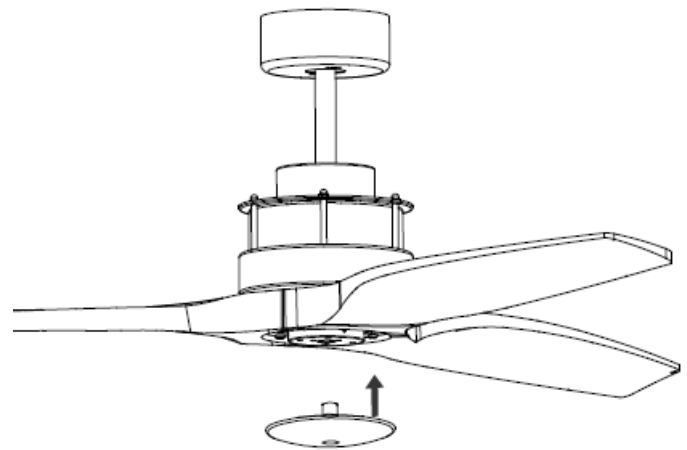


Fig. 9

LIGHT KIT INSTALLATION: (Optional, light kit not included)

Before installing the light kit to the fan, you need to do the following:

- Do not install the bottom cover.
- Remove the bottom cover adaptor (2) from the light kit housing (1) by loosening the 3 screws (3). Fig.10
- Install the light kit adaptor (4) to light kit housing (1) by using the 3 screws (3). Fig.10
- Install the light kit to the light kit adaptor using the light kit user guide instruction.



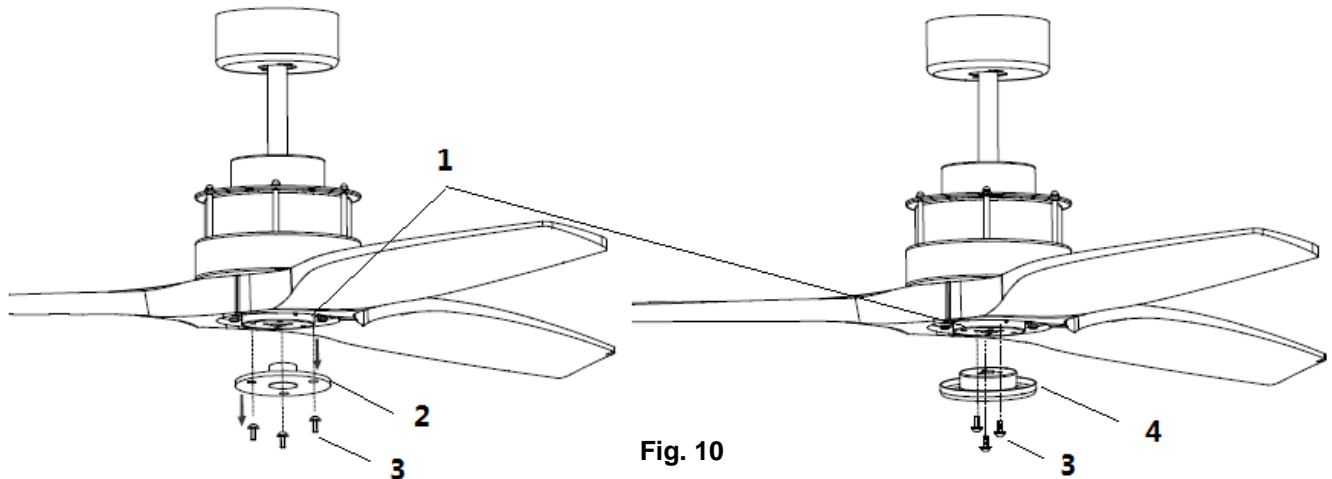


Fig. 10

USING YOUR CEILING FAN

Pairing Transmitter and Receiver – when 2 or more DC ceiling fans are installed in one location

When two or more fans are located near each other, you may want to have the receiver/transmitter for each fan set to a different code, so that the operation of one fan does not affect the operation of the other fan/s.

The DIP switches for the transmitter (remote hand piece) are located in the battery compartment of the transmitter. Configuring the DIP switches will allow a unique transmission code assigned to each ceiling fan.

NOTE: Ensure that you have installed an all - pole disconnection switch in the fixed wiring for each fan, when using DIP code function.

NOTE: Ensure power to the Receiver is **ON** prior to pairing the transmitter with the receiver.


Transmitter/Receiver pairing for ceiling fan 1:

- Turn off both ceiling fans 1 and 2 via the mains supply to the receiver.
- Slide the cover of the battery compartment of the transmitter to access the DIP switches. This will be transmitter 1.
- Change the position of the DIP switches in the remote transmitter 1, so that it will be different to transmitter 2. Fig. 11
- Install the 12VDC battery in the compartment. Please make sure the polarity of the battery is correct.
- Turn on the power to receiver 1. Keep the power OFF to receiver 2. (Each ceiling fan must have its own isolation switch, so that only the ceiling fan that needs to be paired with the transmitter will be ON).
- Press and hold the “⏻” button on **transmitter 1** for 5 seconds within 30 seconds of switching the power to the receiver of ceiling fan 1.
- Once the transmitter is paired with the receiver of ceiling fan 1, it will make a beep sound twice. Turn ON/OFF or change the speed of the ceiling fan 1 by the transmitter to check the operation.



Airfusion Akmani Installation Instructions

Setting DC Ceiling fan 2:

- Turn off both ceiling fans 1 and 2 via the mains supply to the receiver.
- Slide the cover of the battery compartment of the transmitter to access the DIP switches. This will be transmitter 2.
- Change the position of the DIP switches in the remote transmitter 2, so that it will be different to transmitter 1. Fig. 11
- Install the 12VDC battery in the compartment. Please make sure the polarity of the battery is correct.
- Turn on the power to receiver 2. Keep the power OFF to receiver 1. (Each ceiling fan must have its own isolation switch, so that only the ceiling fan that needs to be paired with the transmitter will be ON).
- Press and hold the “” button on **transmitter 2** for 5 seconds within 30 seconds of switching the power to the receiver of ceiling fan 2.
- Once the transmitter is paired with the receiver of ceiling fan 1, it will make a beep sound twice. Turn ON/OFF or change the speed of ceiling fan 1 by the transmitter to check the operation.

Note: The pairing of Transmitter and Receiver is not required if only one ceiling fan is installed. When more than two ceiling fans are installed near each other, please refer to the instruction above.

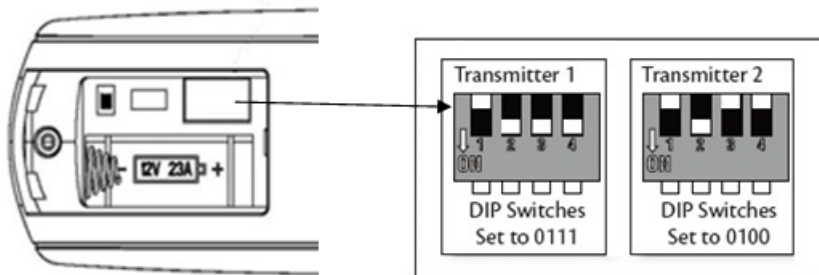





Fig. 11

Remote Control Buttons

 : FAN ON/OFF BUTTON: Press the button to turn the fan on/off.

 : SPEED INCREASE BUTTON: Press the button to increase the fan speed. The LED indicator will indicate the fan speed (1-6 speed) accordingly.

 : SPEED DECREASE BUTTON: Press the button to decrease the fan speed. The LED indicator will indicate the fan speed (1-6 speed) accordingly.

 : REVERSE FUNCTION BUTTON: Press the button to activate the reverse running function. The fan must be operating to activate the reverse function.

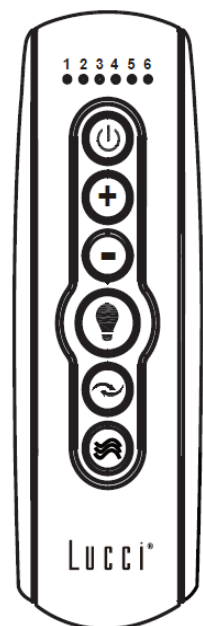





Fig. 12

 : NATURAL FLOW BUTTON: Press the button to set the fan running at changing speed automatically. If the fan is working at speed 1, 2, 3, then press this button to let the fan run at a lower changing speed. If the fan is working at speed 4,5,6, then press this button to let the fan run at a higher changing speed.

 : LIGHT CONTROL BUTTON: Press the button to turn on/off the light.

When pressing the remote button, the LED indicator 1() will be on. If the LED indicator 1 is off, then you need to replace the battery with a new 12VDC battery.

When pressing the remote button, if the receiver receives the signal well, it will make a beep sound.


REPAIRING THE FAN RECEIVER & REMOTE PAIRING

Should the remote and receiver lose control after installation or during use, the pairing of the remote and the receiver must be repaired. Below are the operating symptoms and method to repair the pairing of the DC ceiling fan remote and receiver.

Issues:

- Loss of control - Fan is only running at high speed after installation
- Loss of control - No reverse function after installation
- Loss of control - Remote cannot communicate with the receiver

Solution:

- Switch off the main power to ceiling fan.
- Press and hold the  button on **transmitter** for 5 seconds within 30 seconds of switching the power to the receiver of the ceiling fan.
- Once the transmitter is paired with the receiver of the ceiling fan, it will make a beep sound twice. Turn ON/OFF or change the speed of the ceiling fan by the transmitter to check the operation.

AFTER INSTALLATION

WOBBLE:

Note: Ceiling fans tend to move during operation due to the fact that they are mounted on a rubber grommet. If the fan was mounted rigidly to the ceiling it would cause excessive vibration. Movement of a few centimeters is quite acceptable and does not suggest any problem.

TO REDUCE THE FAN WOBBLE: Please check that all screws which fix the mounting bracket and down rod are secure.

BALANCING KIT: A balancing kit is provided to balance the ceiling fan on initial installation. Please refer to the



Airfusion Akmani Installation Instructions

instruction on how to use the balancing kit. The balancing kit can be used to assist re-balancing should the ceiling fan become un-balanced again. Store your balancing kit away after installation for future use if required.

NOISE:

When it is quiet (especially at night) you may hear occasional small noises. Slight power fluctuations and frequency signals superimposed in the electricity for off-peak hot water control, may cause a change in fan motor noise. This is normal. Please allow a 24-hour “settling-in” period, most noises associated with a new fan disappear during this time.

The manufacturer’s warranty covers actual faults that may develop and NOT minor complaints such as hearing the motor run – All electric motors are audible to some extent.

CARE & CLEANING

- Periodic cleaning of your ceiling fan is the only maintenance required. Use a soft brush or lint free cloth to avoid scratching the paint finish. Please turn off electricity power when you do so.
- Do not use water when cleaning your ceiling fan. It could damage the motor or the blades and create the possibility of an electrical shock.
- The motor has a permanently lubricated ball bearing. There is no need to oil.

NOTE: Always turn off the power at the mains switch before attempting to clean your fan.

TECHNICAL INFORMATION

AIRFUSION AKMANI SERIES DC FAN models	Rated Voltage	Rated power (motor)	Battery for remote
60” blade fan only	220-240VAC	36W	1 x 12V 23AE

WARRANTY INFORMATION

IN AUSTRALIA / NEW ZEALAND – Please refer to the separated WARRANTY STATEMENT.

IN EUROPE – If you are a European customer please contact the retail outlet where the fan was purchase for warranty service.



D**HERZLICHEN GLÜCKWUNSCH ZUM ERWERB UNSERES DECKENVENTILATORS**

Wir beglückwünschen Sie zum Kauf des derzeit modernsten und energieeffizientesten Deckenventilators. Dieser wird durch Gleichstrom betrieben, wodurch er Energie spart und gleichzeitig einen hohen Grad an Ventilation bietet sowie geräuschlos arbeitet.

Energieeinsparung: Der Gleichstrommotor ist die neueste Ventilatorentechnologie und hocheffizient. Durch ihn sparen Sie bis zu 65% mehr Energie als mit herkömmlichen Gleichstrommotoren für Deckenventilatoren.

Geräuschloser Betrieb: Dieser Gleichstrommotor wird mit einer stabilisierten Gleichspannung versorgt, wodurch das Motorengeräusch effektiv reduziert wird.


Niedrige Betriebstemperatur: Durch die effektive Handhabung des Gleichstroms kann die Betriebstemperatur des Motors auf unter 50 Grad gebracht werden.

Fernbedienung mit 6 Ventilatorgeschwindigkeiten: Herkömmliche Deckenventilatoren bieten nur 3 Geschwindigkeitslevel an. Unser Gleichstromventilator hingegen bietet 6 über eine Fernbedienung einstellbare Geschwindigkeitslevel und damit eine größere Auswahl und mehr Komfort für Sie.

SICHERHEITSHINWEISE

- 1) Europa: Dieses Gerät darf nur von Kindern in einem Alter von 8 Jahren und darüber sowie von Personen mit eingeschränkten körperlichen, geistigen oder sensorialen Fähigkeiten oder mangelnder Erfahrung und Wissen nur unter Aufsicht verwendet werden, oder nachdem diese Anweisungen über die sichere Verwendung des Gerätes erhalten haben und die Risiken verstehen. Das Säubern und die Instandhaltung darf von Kindern nur unter Aufsicht vorgenommen werden.
- 2) Australia: This appliance is not intended for use by young children or infirm persons unless they have been adequately supervised by a responsible person to ensure that they can use the appliance safely.
- 3) Kinder müssen beaufsichtigt werden, um sicher zu gehen, dass sie nicht mit dem Gerät spielen.
- 4) Eine allpolige Abschaltung muss gemäß den Verkabelungsvorgaben in die feste Verkabelung integriert sein.



- 5)  Entsorgen Sie elektrische Geräte nicht als unsortierten Restmüll, sondern nutzen Sie separate Sammelvorrichtungen. Erkundigen Sie sich bei Ihrer Gemeindeverwaltung über mögliche verfügbare Sammelsysteme. Wenn elektrische Geräte auf Mülldeponien entsorgt werden, besteht die Gefahr, dass Gefahrstoffe in das Grundwasser und somit in Nahrungskette entweichen, was Ihrer Gesundheit und Ihrem Wohlbefinden schaden kann.
- 6) Die Vorrichtung, an welcher der Ventilator angebracht wird, sollte mindestens 40kg Gewicht tragen können.
- 7) Für Europa: Der Ventilator sollte so angebracht sein, dass seine Rotorblätter mindestens **2,3** Meter vom Fußboden entfernt sind.
- 8) Für Australien: Der Ventilator sollte so angebracht sein, dass seine Rotorblätter mindestens **2,1** Meter vom Fußboden entfernt sind.
- 9) Dieser Ventilator ist nur zum Gebrauch in Innenräumen vorgesehen. Das Anbringen des Ventilators an Orten, an denen er Wasser oder Feuchtigkeit ausgesetzt ist, ist gefährlich.
- 10) Nur konzessionierte Elektriker dürfen die Installation durchführen.



VOR DER INSTALLATION

Entnehmen Sie den Ventilator aus der Verpackung und überprüfen Sie, ob alle Bestandteile vorhanden sind. Diese sollten Folgendes beinhalten:

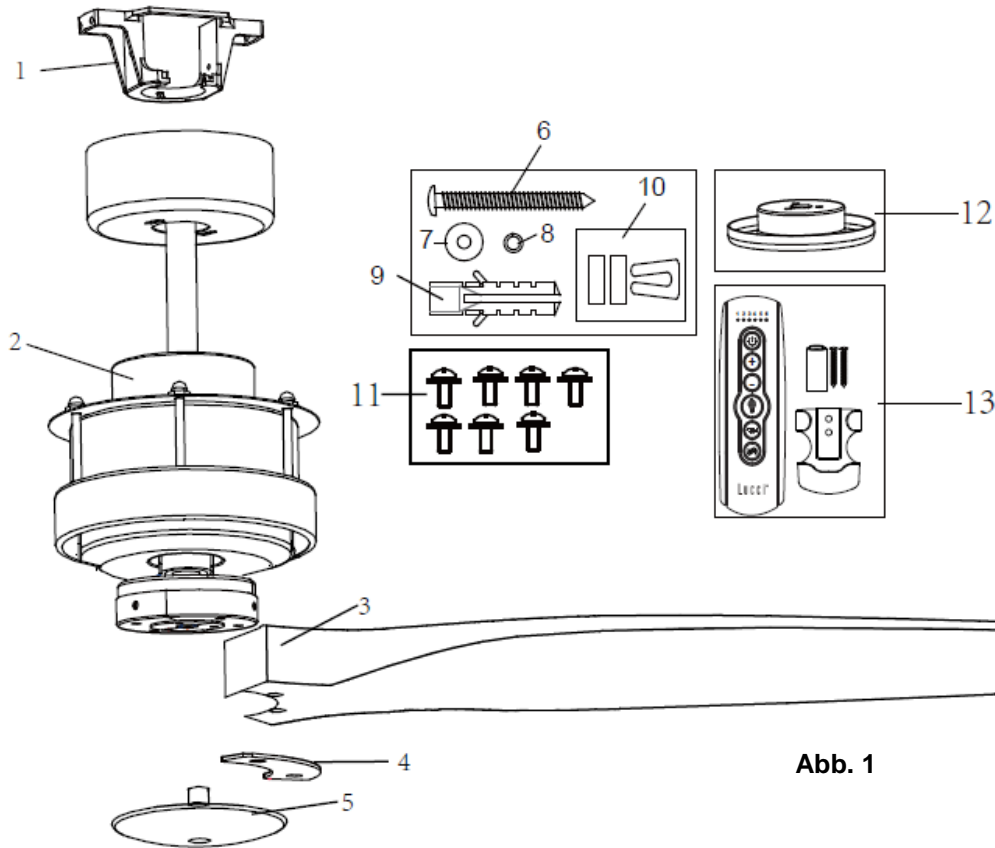


Abb. 1

- | | |
|---|--|
| 1. Halterung x 1 | 7. Flache Unterlegscheiben x 2 |
| 2. Ventilatoraggregat mit Abdeckung und Panelstange x 1 | 8. Federscheiben x 2 |
| 3. Rotorblätter x 3 | 9. Dübel für die Schrauben x 2 |
| 4. Rotorenblätterhalterungen x 3 | 10. Bausatz zum Auswuchten des Ventilators x 1 Set |
| 5. Abdeckung für die Unterseite x 1 | 11. Motorschrauben für die Rotorenblätter x 7 |
| 6. Holzschrauben x 2 | 12. Adapter für den Beleuchtungssatz x 1 |
| | 13. Fernbedienung x 1 Set |



INSTALLATION DES VENTILATORS

BENÖTIGTE WERKZEUGE:

- Schlitzschraubendreher von Phillips
- Zange
- Universalschraubenschlüssel
- Stufenleiter
- Drahtzange
- Verkabelung und Versorgungskabel nach den jeweiligen lokalen und nationalen Verdrahtungsvorgaben

INSTALLATION DER HALTERUNG

Der Deckenventilator muss so angebracht sein, dass zwischen der Spitze eines jeden Rotorenblattes und der Wand oder dem nächstgelegenen Objekt ein Abstand von mindestens 300mm besteht.

Bringen Sie den Decken-Befestigungswinkel mit den zwei langen beigelegten Schrauben am Deckenbalken oder einer alternativen Deckenvorrichtung, die mindestens 40kg tragen kann, an. Achten Sie darauf, dass die Schrauben mindestens 30mm in die Halterung hineingedreht werden.

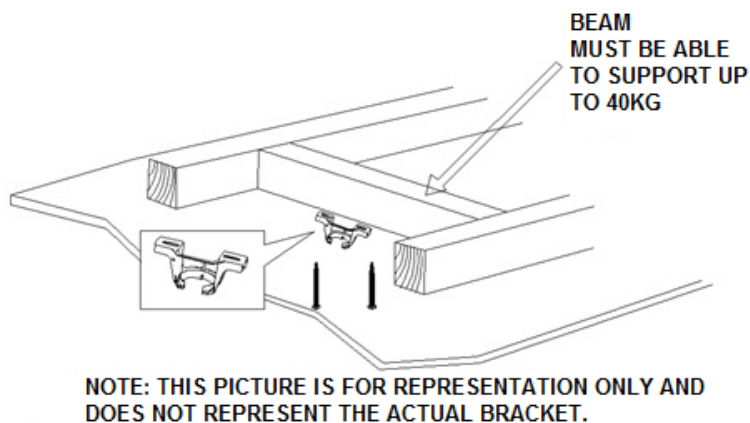


Abb. 2

BITTE BEACHTEN SIE: Die beigelegten Halterungsschrauben sind nur zur Verwendung an Holzstrukturen geeignet. Für andere Strukturen MUSS die geeignete Schraubenart verwendet werden.

INSTALLATION AN WINKELFLÄCHEN

Das Aufhängesystem des Ventilators unterstützt eine Installation an Deckenwinkelflächen von maximal 15 Grad Neigung.

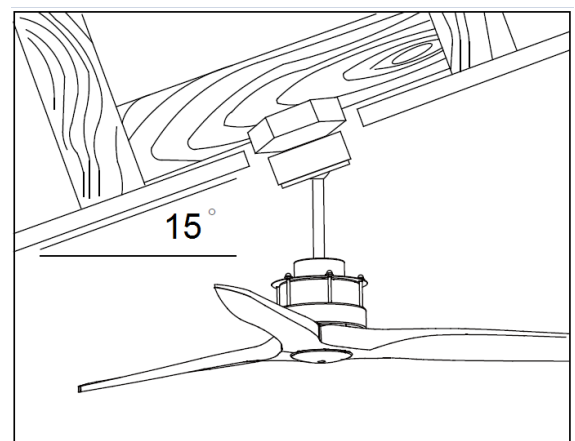


Abb. 3



INSTALLATION DES VENTILATEURMOTORS

- Befestigen Sie das Ventilatorenaggregat an der Halterung. Abb. 4
- Stellen Sie sicher, dass die Aussparung des Kugelgelenks am Verschluss der Halterung angebracht ist, damit der Ventilator, sobald er in Betrieb ist, nicht rotiert. Abb. 5

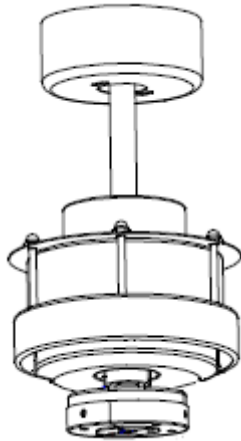


Abb. 4

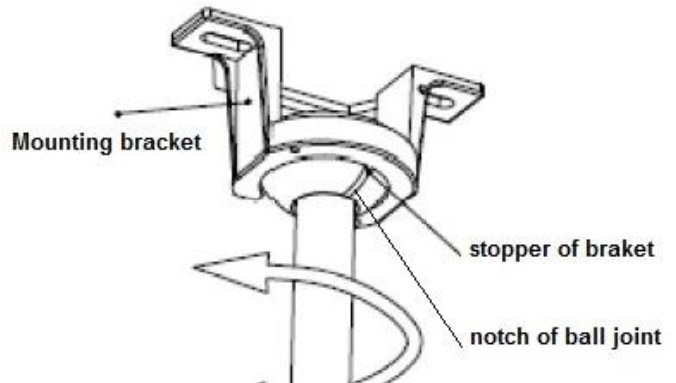


Abb. 5

DIE INSTALLATION DER ELEKTRISCHEN LEITUNGEN VORBEREITEN UND DURCHFÜHREN – SCHALTPLAN (ABB. 6)

WARNUNG: ALLE ELEKTRISCHEN ANSCHLÜSSE DÜRFEN ZU IHRER EIGENEN SICHERHEIT NUR DURCH EINEN KONZESSIONIERTEN ELEKTRIKER VORGENOMMEN WERDEN.

BITTE BEACHTEN SIE: IN DIE FESTE VERLEGUNG DER KABEL MUSS ZUSÄTZLICH EINE ALLPOLIGE ABSCHALTUNG INTEGRIERT SEIN. BITTE SCHALTEN SIE DEN HAUPTSCHALTER VOR INSTALLATION DER ELEKTRISCHEN LEITUNGEN AUS.

BITTE BEACHTEN SIE: WENN ZWEI ODER MEHR GLEICHSTROM-DECKENVENTILATOREN IN UNMITTELBARER NÄHE ZUEINANDER ANGEBRACHT SIND, MUSS FÜR JEDEN DECKENVENTILATOR EIN ISOLATIONSSCHALTER INSTALLIERT SEIN. DIES IST NÖTIG, WENN DIE SENDEVORRICHTUNG UND DAS EMPFÄNGERGERÄT MITEINANDER VERBUNDEN WERDEN.

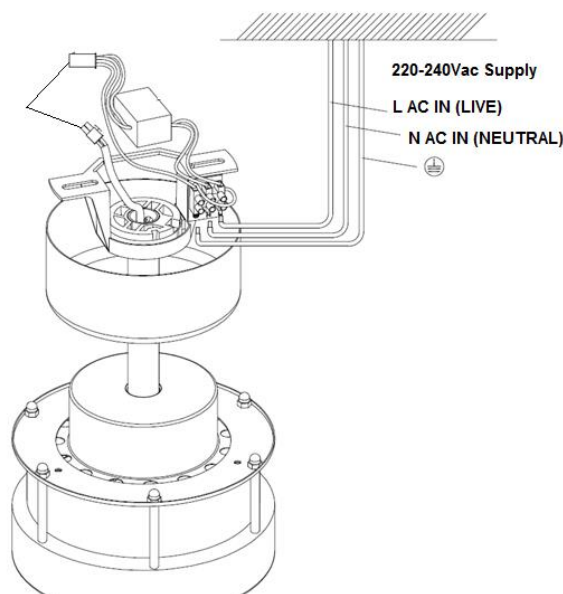


Abb. 6



INSTALLATION DER ABDECKUNG

- Lösen Sie die 2 Schrauben vom unteren Teil der Halterung. Abb. 7
- Schieben Sie die Abdeckung bis zur Halterung hoch und platzieren Sie das Schlüsseloch der Abdeckung auf der Halterung und über den Schrauben. Drehen Sie die Abdeckung bis diese im schmalen Abschnitt des Schlüsseloches einrastet und fixieren Sie diese durch das Festdrehen der beiden Schrauben. Vermeiden Sie dabei die Beschädigung der zuvor installierten Verkabelung.

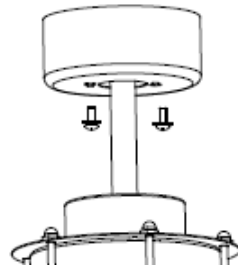


Abb. 7

INSTALLATION DES BELEUCHTUNGSSATZES

- Führen Sie die Schrauben durch die Rotorenblatthalterungen und Rotorenblätter hindurch und befestigen Sie die Rotorenblätter dann durch das Festziehen der 2 Schrauben am Motor. Abb. 8
- Wiederholen Sie diesen Vorgang, bis alle Rotorenblätter am Motor angebracht sind.
- Befestigen Sie abschließend die Abdeckung für die Unterseite durch das Drehen im Uhrzeigersinn am Gehäuse des Beleuchtungssatzes. Abb. 9

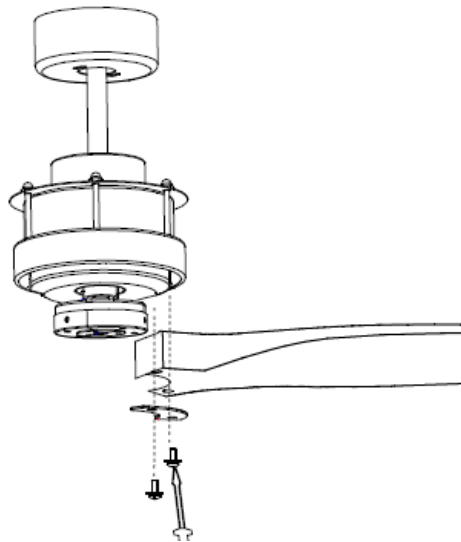


Abb. 8

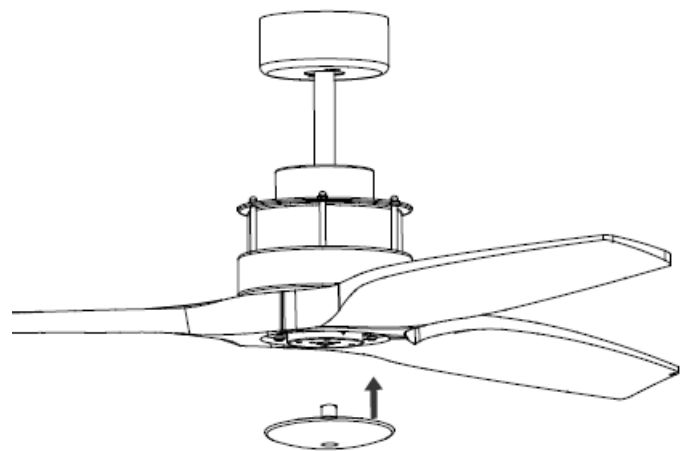


Abb. 9

INSTALLATION DES BELEUCHTUNGSSATZES: (Optional: Beleuchtungssatz nicht inbegriffen)

Bevor Sie den Beleuchtungssatz am Ventilator anbringen, müssen Sie Folgendes tun:

- Bringen Sie die Abdeckung für die Unterseite nicht an.
- Entfernen Sie den Adapter für die Abdeckung für die Unterseite (2) vom Gehäuse des Beleuchtungssatzes (1), indem Sie die 3 Schrauben lösen (3). Abb. 10



- Befestigen Sie den Adapter für den Beleuchtungssatz (4) am Gehäuse des Beleuchtungssatzes (1), indem Sie die 3 Schrauben verwenden (3). Abb. 10
- Befestigen Sie den Beleuchtungssatz am Adapter für den Beleuchtungssatz, indem Sie den Anweisungen der Bedienungsanleitung für den Beleuchtungssatz folgen.

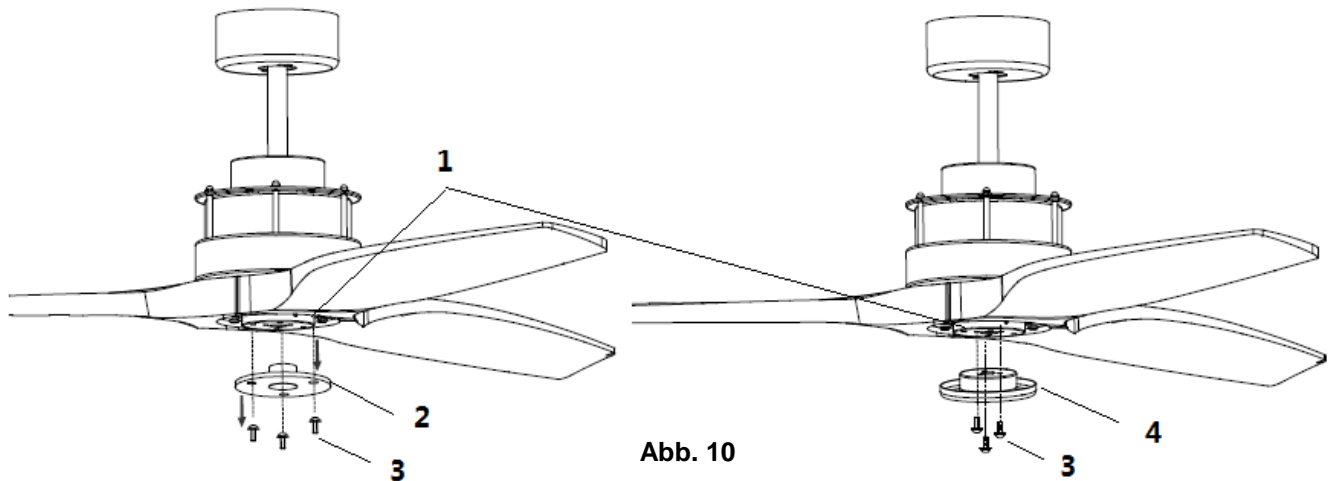


Abb. 10

DIE NUTZUNG IHRES DECKENVENTILATORS

Verbinden der Sendevorrichtung mit dem Empfängergerät – Wenn 2 oder mehr Gleichstrom-Deckenventilatoren in unmittelbarer Nähe zueinander angebracht sind

Wenn zwei oder mehr Ventilatoren in unmittelbarer Nähe zueinander angebracht sind, möchten Sie die Sendevorrichtung/das Empfängergerät sicher gern auf verschiedene Codes einstellen, sodass die Nutzung eines Ventilators nicht die Nutzung des/der anderen Ventilators/Ventilatoren beeinträchtigt.

Die DIP-Schalter der Sendevorrichtung (Fernschalter) befinden sich im Batteriefach der Sendevorrichtung. Durch die Konfiguration der DIP-Schalter kann jedem Deckenventilator ein spezifischer Übertragungscode zugewiesen werden.


BITTE BEACHTEN SIE: Stellen Sie vor Verbindung der Sendevorrichtung mit dem Empfängergerät sicher, dass der Strom für das Empfängergerät **EINGESCHALTET** ist.

BITTE BEACHTEN SIE: Stellen Sie sicher, dass die Stromzufuhr für das Empfängergerät **ANGESCHALTET** ist, bevor Sie dieses mit der Sendevorrichtung verbinden.


Verbindung Sendevorrichtung/Empfängergerät für Deckenventilator Nummer 1:

- Schalten Sie die Ventilatoren 1 und 2 über die Hauptstromversorgung des Empfängergerätes ab.
- Schieben Sie den Batteriefachdeckel der Sendevorrichtung 1 zur Seite, um an die DIP-Schalter zu gelangen.
- Verändern Sie die Position der DIP-Schalter innerhalb der Sendevorrichtung 1, damit sich diese von der in Sendevorrichtung 2 unterscheidet. Abb. 11
- Legen Sie die 12VDC Batterie in das Batteriefach ein und stellen Sie sicher, dass die Polung der Batterien korrekt ist.



- Aktivieren Sie die Stromversorgung für Empfängergerät 1. Die Stromversorgung für Empfängergerät 2 muss **AUSGESCHALTET** bleiben. (In jeden Deckenventilator muss ein eigener Isolationsschalter integriert sein, sodass nur der mit der Sendevorrichtung zu verbindende Ventilator **ANGESCHALTET** ist.)
- Halten Sie den “” Schalter der **Sendevorrichtung 1** 30 Sekunden nach Aktivierung der Stromversorgung für das Empfängergerät des Deckenventilators 1 für 5 Sekunden gedrückt.
- Sobald die Sendevorrichtung mit dem Empfängergerät des Deckenventilators 1 verbunden ist, ertönt ein zweimaliger Signalton. Schalten Sie den Ventilator 1 über die Sendevorrichtung AN/AUS oder stellen Sie verschiedene Geschwindigkeitslevel ein, um die Funktionstüchtigkeit zu überprüfen.

Einstellen des Gleichstrom-Ventilators 2

- Schalten Sie die Deckenventilatoren 1 und 2 über die Netzstromversorgung des Empfängergerätes ab.
- Schieben Sie den Batteriefachdeckel der Sendevorrichtung 2 zur Seite, um an die DIP-Schalten zu gelangen.
- Verändern Sie die Position der DIP-Schalter der Fernbedienung 2, sodass sie sich von den Positionen in Fernbedienung 1 unterscheiden. Abb. 11
- Legen Sie die 12VDC Batterie in das Batteriefach ein und stellen Sie sicher, dass die Polung der Batterien korrekt ist.
- Aktivieren Sie die Stromversorgung für Empfängergerät 2. Die Stromversorgung für Empfängergerät 1 muss **AUSGESCHALTET** bleiben. (In jeden Deckenventilator muss ein eigener Isolationsschalter integriert sein, sodass nur der mit der Sendevorrichtung zu verbindende Ventilator **ANGESCHALTET** ist.)
- Halten Sie den “” Schalter der **Sendevorrichtung 2** 30 Sekunden nach Aktivierung der Stromversorgung für das Empfängergerät des Deckenventilators 2 für 5 Sekunden gedrückt
- Sobald die Sendevorrichtung mit dem Empfängergerät des Deckenventilators 1 verbunden ist, ertönt ein zweimaliger Signalton. Schalten Sie den Ventilator 1 über die Sendevorrichtung AN/AUS oder stellen Sie verschiedene Geschwindigkeitslevel ein, um die Funktionstüchtigkeit zu überprüfen.

Bitte beachten Sie: Das Verbinden von Sendevorrichtung und Empfängergerät ist nicht nötig, wenn nur ein Deckenventilator installiert wurde. Befolgen Sie obige Anweisungen nur, wenn zwei Deckenventilatoren in unmittelbarer Nähe zueinander angebracht sind.

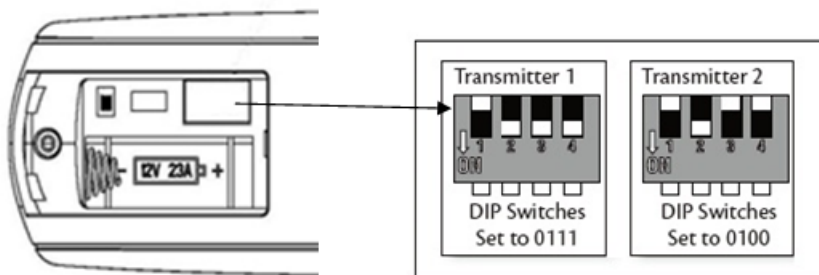
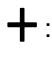


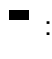
Abb. 11




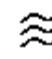
Tastenbelegung der Fernbedienung


 : AN-/AUSSCHALTTASTE FÜR DEN VENTILATOR: Halten Sie diese gedrückt, um den Ventilator an-/auszuschalten.


 : GESCHWINDIGKEIT ERHÖHEN: Drücken Sie diese Taste, um die Geschwindigkeit zu erhöhen. Die LED-Anzeige wird die das entsprechende Geschwindigkeitslevel (1-6) abbilden.

 : GESCHWINDIGKEIT VERRINGERN: Drücken Sie diese Taste, um die Geschwindigkeit zu verringern. Die LED-Anzeige wird die das entsprechende Geschwindigkeitslevel (1-6) abbilden.

 : UMKEHRTASTE: Drücken Sie diese Taste, um den Rückwärtsmodus zu aktivieren. Dazu muss der Ventilator eingeschaltet sein.

 : NATÜRLICHE GESCHWINDIGKEIT: Drücken Sie diese Taste, damit der Ventilator automatisch zwischen den Geschwindigkeitsleveln wechselt. Wenn der Ventilator auf das Geschwindigkeitslevel 1, 2, 3 eingestellt ist, drücken Sie diese Taste, damit er automatisch auf ein niedrigeres Level umschaltet. Wenn er auf das Geschwindigkeitslevel 4, 5, 6 eingestellt ist, drücken Sie diese Taste, damit er automatisch auf ein höheres Level umschaltet.

 : LICHTREGLER: Drücken Sie diese Taste, um das Licht an-/auszuschalten.

Wenn Sie die Remotetaste drücken, leuchtet die LED-Anzeige 1 () auf. Wenn diese nicht aufleuchtet, müssen Sie die alte Batterie durch eine neue 12VDC Batterie ersetzen.

Das Empfängergerät wird einen Signalton abgeben, wenn das Signal der Remotetaste empfangen wird.

REPARATUR DES EMPFÄNGERGERÄTES & DER ABSTIMMUNG AUF DIE FERNBEDIENUNG DES VENTILATORS

Sollte nach der Installation oder während der Benutzung ein Kontrollverlust der Fernbedienung oder des Empfängergerätes entstehen, muss die Abstimmung von Fernbedienung und Empfängergerät wiederhergestellt werden. Untenstehend finden Sie die Probleme und Vorgehensweisen, um diese wiederherzustellen.

Probleme:

- Kontrollverlust – Ventilator läuft nach der Installation nur auf hoher Geschwindigkeitsstufe
- Kontrollverlust – Umkehrfunktion funktioniert nach der Installation nicht
- Kontrollverlust – Die Übertragung zwischen Fernbedienung und Empfängergerät ist gestört

Behebung:

- Schalten Sie die Hauptstromzufuhr für den Deckenventilator ab.

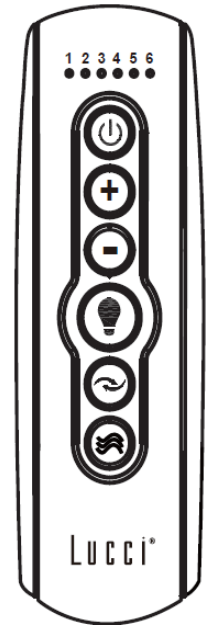



Abb. 12



- Halten Sie den “” Schalter der **Sendevorrichtung** 30 Sekunden nach Aktivierung der Stromversorgung für das Empfängergerät des Deckenventilators für 5 Sekunden gedrückt.
- Sobald die Sendevorrichtung mit dem Empfängergerät des Deckenventilators verbunden ist, ertönt ein zweimaliger Signalton. Schalten Sie den Ventilator über die Sendevorrichtung AN/AUS oder stellen Sie verschiedene Geschwindigkeitslevel ein, um die Funktionstüchtigkeit zu überprüfen.

NACH DER INSTALLATION

AUSSCHWENKEN:

Bitte beachten Sie: Da der Deckenventilator auf einer Gummitülle befestigt ist, kann es während des Betriebs zu Ausschwenkungen kommen. Wäre der Ventilator jedoch zu fest an der Decke angebracht, würde es zu übermäßigen Vibrationen führen. Das Ausschwenken des Ventilators um wenige Zentimeter stellt kein Problem dar.

VERRINGERUNG DES AUSSCHWENKENS: Bitte stellen Sie sicher, dass alle die Halterung und die Panelstange fixierenden Schrauben festgezogen sind.

BAUSATZ ZUM AUSWUCHTEN DES VENTILATORS: Dieser wird verwendet, um den Ventilator bei der Erstinstallation auszuwuchten. Um mehr über seine Verwendung zu erfahren, befolgen Sie bitte die Anweisungen. Der Bausatz kann ebenfalls zur erneuten Auswuchtung des Ventilators verwendet werden. Bewahren Sie den Bausatz zum Auswuchten des Ventilators zum zukünftigen Gebrauch auf.

GERÄUSCHE:

Sie können gelegentlich Geräusche wahrnehmen, sobald es in Ihrer Umgebung ruhig ist (besonders nachts). Geringfügige Leistungsschwankungen im Stromnetz sowie den Strom überlagernde Frequenzsignale zur Warmwassersteuerung außerhalb der Stoßzeiten können die Geräusche des Ventilatormotors beeinflussen.

Dies ist normal. Bitte kalkulieren Sie eine 24-stündige Anpassungsphase ein, während der die meisten auf den Ventilator zurückzuführenden Geräusche verschwinden.

Die Gewährleistung des Originalherstellers deckt tatsächliche auftretende Fehler ab und KEINE unwesentlichen Beanstandungen wie z. B. Motorengeräusche. Alle elektronischen Motoren sind bis zu einem gewissen Grad hörbar.

REINIGUNG UND PFLEGE

- Die einzige erforderliche Wartung ist die regelmäßige Reinigung Ihres Ventilators. Verwenden Sie dafür eine weiche Bürste oder einen fusselfreien Lappen, um ein Verkratzen der Lackierung zu vermeiden.
- Verwenden Sie zur Reinigung des Ventilators kein Wasser, da dieses den Motor oder die Rotorenblätter zerstören sowie zu einem elektrischen Schlag führen kann.
- Der Motor ist mit einem dauergeschmierten Kugellager ausgestattet und muss daher nicht geölt werden.

BITTE BEACHTEN SIE: Schalten Sie vor der Reinigung des Ventilators den Strom über den Netzschalter ab.



TECHNISCHE INFORMATIONEN

AIRFUSION AKMANI SERIES Gleichstrom- Ventilatoren- Modelle	Nennspannung	Nennleistung (Motor)	Batterie für die Fernbedienung
60" Ventilatorflügel	220-240VAC	36W	1 x 12V 23AE

INFORMATIONEN ZUR GEWÄHRLEISTUNG

FÜR AUSTRALIEN/NEUSEELAND: Es gilt eine andere GARANTIEERKLÄRUNG.

FÜR EUROPA: Europäische Kunden wenden sich für die Garantieerklärung bitte an die Verkaufsstelle, in welcher der Ventilator erworben wurde.



F

FÉLICITATIONS POUR VOTRE ACHAT

Félicitations pour l'achat du plus récent des ventilateurs de plafond à économie d'énergie. Ce ventilateur fonctionne par CC (alimentation en courant continu) qui lui donne l'avantage d'être super-économe en énergie tout en conservant un volume élevé de circulation d'air et un fonctionnement silencieux.

L'économie d'énergie - Le moteur à courant continu est la plus récente technologie en termes de conception de ventilateur. Son moteur très efficace permet d'économiser jusqu'à 65% d'énergie en plus comparé aux ventilateurs de plafond avec des moteurs traditionnels à courant alternatif.

Un fonctionnement silencieux - ce moteur de ventilateur CC est programmé avec un courant stabilisé ce qui réduit efficacement le bruit du moteur.


Une température de fonctionnement basse - Le courant continu est géré efficacement, ce qui fait baisser la température de fonctionnement du moteur à moins de 50degs. Il en résulte un moteur beaucoup plus frais que celui d'un ventilateur à courant alternatif standard et augmente la longévité du moteur.

Une télécommande à distance à 6 vitesses, les ventilateurs de plafond normaux à courant alternatif viennent généralement avec seulement 3 vitesses, ce ventilateur CC est livré avec une télécommande à 6 vitesses, ce qui donne un plus grand choix de niveaux de confort.

MESURES DE SÉCURITÉ

- 1) Europe: Cet appareil peut être utilisé par des enfants âgés de 8 ans et plus et des personnes ayant des capacités physiques, sensorielles ou mentales réduites ou un manque d'expérience et de connaissance s'ils sont sous surveillance ou ont reçu des instructions au préalable concernant l'utilisation de l'appareil en toute sécurité et s'ils comprennent les risques impliqués. Le nettoyage et l'entretien ne doivent pas être faits par des enfants sans une surveillance.
- 2) Australie: Cet appareil n'est pas destiné à être utilisé par de jeunes enfants ou des personnes handicapées à moins qu'ils ne soient adéquatement supervisés par une personne responsable pour s'assurer qu'ils puissent utiliser l'appareil en toute sécurité.
- 3) Les enfants doivent être surveillés pour s'assurer qu'ils ne jouent pas avec l'appareil.
- 4) Un interrupteur de déconnexion omnipolaire doit être incorporé dans le câblage fixe en conformité avec les règles de câblage.



- 5)  Ne jetez pas les appareils électriques dans les ordures ménagères, utiliser les installations de collecte sélective. Contactez votre municipalité pour obtenir des informations concernant les systèmes de collecte disponibles. Si les appareils électriques sont détruits dans des décharges ou dépotoirs, des substances dangereuses peuvent s'infiltrer dans les eaux souterraines et entrer dans la chaîne alimentaire, ce qui pourrait nuire à votre santé et votre bien-être.
- 6) La structure sur laquelle le ventilateur doit être monté doit être capable de supporter un poids de 40kg.
- 7) Le ventilateur doit être monté de telle sorte que les pales soient au moins **2.3** mètres au-dessus du sol pour l'Europe.
- 8) Le ventilateur doit être monté de telle sorte que les lames soient au moins **2.1** mètres au-dessus du sol pour l'Australie.
- 9) Ce ventilateur est adapté pour une utilisation en intérieur. Le montage du ventilateur dans un endroit où il est exposé à l'eau ou à l'humidité est dangereux.
- 10) Seul un électricien agréé doit exécuter l'installation.



AVANT L'INSTALLATION

Déballer votre ventilateur et vérifier le contenu. Vous devez disposer des éléments suivants:

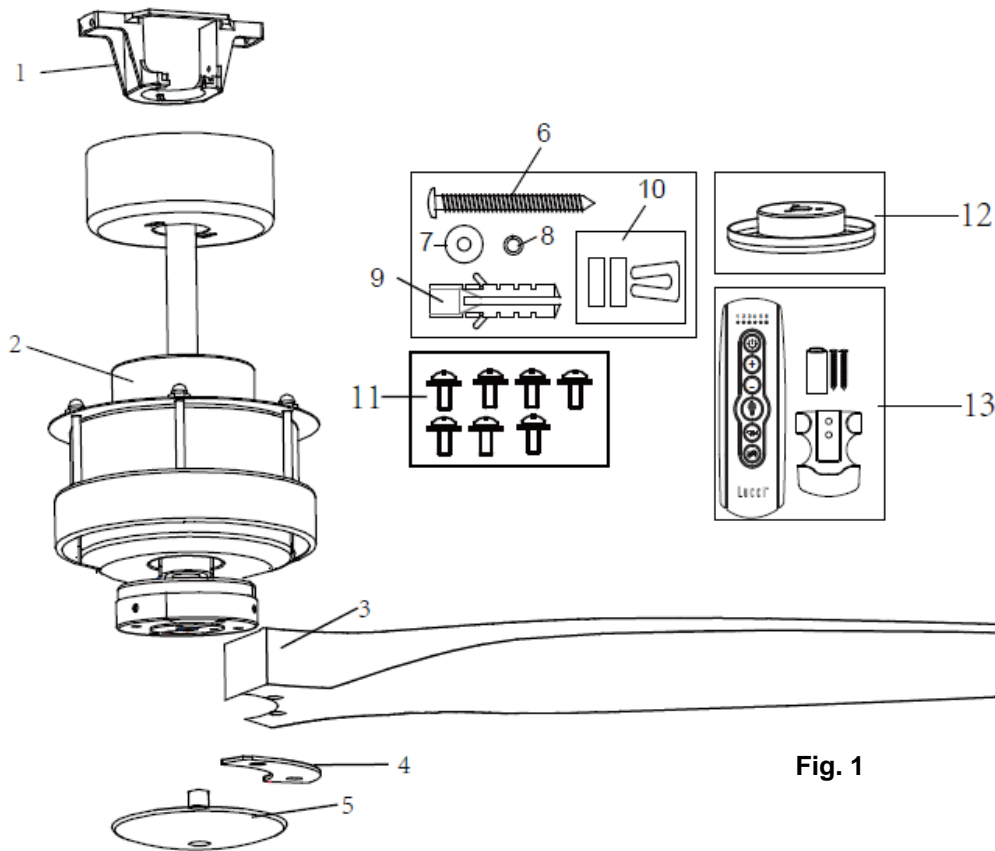


Fig. 1

- | | | | |
|----|--|-----|-----------------------------|
| 1. | Support de montage x 1 | 7. | Les rondelles plates x 2 |
| 2. | Assemblage de ventilateur avec un capot de suspension, une tige de suspension, un couvert et un dais x 1 | 8. | Les rondelles à ressort x 2 |
| 3. | Les pales x 3 | 9. | Prise murale pour vis x 2 |
| 4. | kits de pales x 3 | 10. | kits d'équilibre x 1 |
| 5. | La couverture inférieure x 1 | 11. | Vis pour les pales x 7 |
| 6. | Vis en bois x 2 | 12. | Adaptateur d'éclairage x 1 |
| | | 13. | Télécommande x 1 |



Installation du ventilateur

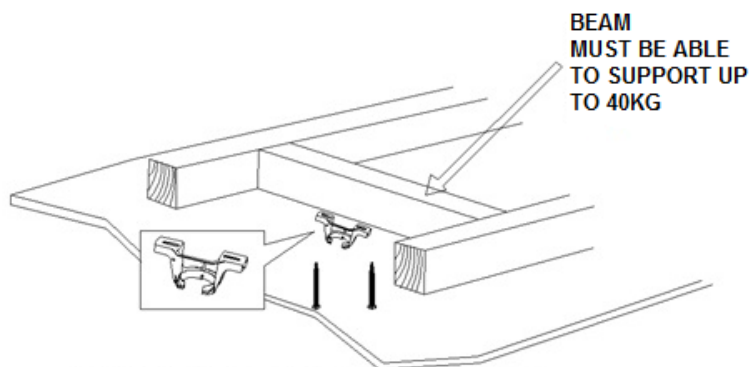
OUTILS NÉCESSAIRES:

- Un tournevis cruciforme / à tête plate
- Une paire de pinces
- Une clé à molette
- Un escabeau
- Une pince coupante
- Le câblage, le câble d'alimentation tel que requis par les codes et les règles de câblage locaux, provinciaux et nationaux.

L'INSTALLATION DU SUPPORT DE MONTAGE

Le ventilateur de plafond doit être installé dans un endroit où la pointe des pales soit à une distance de 300mm des objets ou des murs les plus proches.

Fixer le support de suspension à la solive du plafond ou une structure qui est capable de supporter une charge d'au moins 40 kg, avec deux longues vis. Assurez-vous qu'au moins 30 mm de la vis est vissée dans le support.



NOTE: THIS PICTURE IS FOR REPRESENTATION ONLY AND DOES NOT REPRESENT THE ACTUAL BRACKET.

Fig. 2

REMARQUE: Les vis de support fournies sont à utiliser avec les structures en bois seulement. Pour les structures autres que celles en bois, le type de vis approprié doit être utilisé.

L'INSTALLATION SUR UN PLAFOND INCLINÉ

Ce système de suspension du ventilateur soutient une installation sur un plafond ayant un angle maximale de 15 degrés.

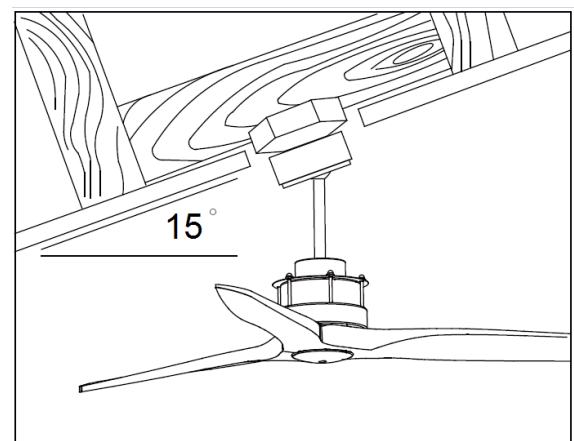


Fig. 3



MISE EN PLACE DE L'ASSEMBLAGE DU VENTILATEUR

- Accrocher le ventilateur sur le support de montage. Figue. 4
- Assurer que l'encoche du joint à rotule est placée sur la butée du support de montage pour empêcher la rotation du ventilateur lorsqu'il sera en fonctionnement. Figue. 5

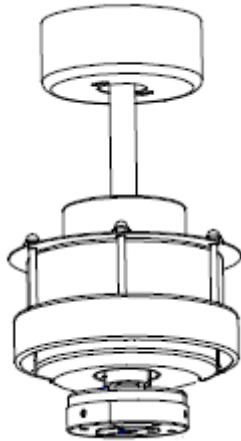


Fig. 4

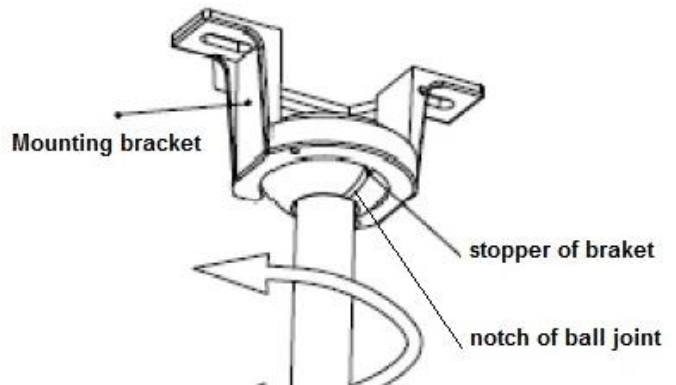


Fig. 5

PREPARER ET COMPLETER LE CABLAGE ELECTRIQUE --- SCHEMA (FIG. 6)

AVERTISSEMENT: POUR VOTRE SÉCURITÉ TOUTES LES CONNEXIONS ÉLECTRIQUES DOIVENT ÊTRE EFFECTUÉES PAR UN ÉLECTRICIEN AGRÉÉ.

REMARQUE: UN INTERRUPTEUR DE DÉCONNECTION OMNIPOLAIRE ADDITIONNEL DOIT ÊTRE INCLUS DANS LE CABLAGE FIXE. VEUILLEZ VOUS ASSURER QUE L'INTERRUPTEUR PRINCIPAL AIT ÉTÉ COUPÉ AVANT LA CONNEXION.

REMARQUE: S'IL YA DEUX OU PLUSIEURS VENTILATEURS CC INSTALLÉS DANS LE MÊME ENDROIT, UN INTERRUPTEUR D'ISOLATION EST NÉCESSAIRE POUR CHAQUE VENTILATEUR AU PLAFOND. CECI EST NÉCESSAIRE POUR LA PROGRAMMATION DE COUPLAGE ENTRE LA TÉLÉCOMMANDE ET LE RECEPTEUR.

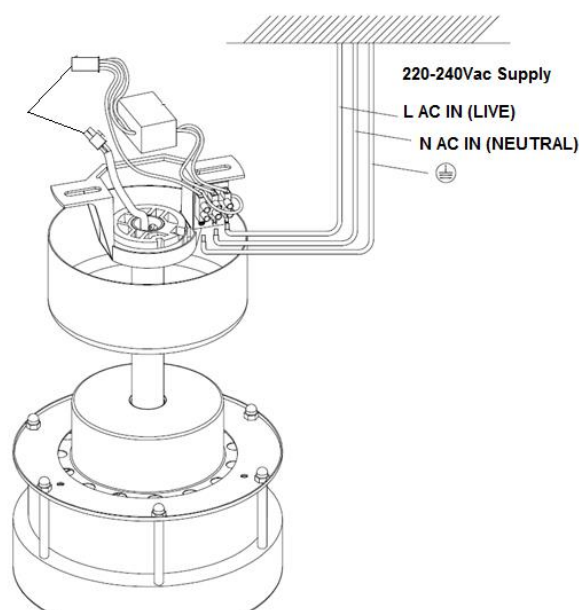


Fig. 6



INSTALLER LE DAIS

- Desserrez les deux vis du bas du support de montage. Fig. 7
- Faites glisser le dais jusqu'au support de montage et placez le trou de la serrure sur le dais au-dessus de la vis sur le support de montage, faites tourner ensuite le dais jusqu'à ce qu'il se verrouille en place à la section étroite des trous de serrure et fixez le en serrant les deux vis de fixation. Évitez d'endommager le câblage électrique préparé auparavant.

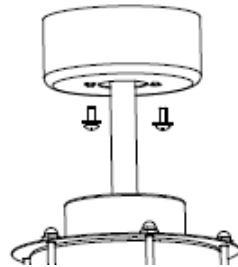


Fig. 7

INSTALLATION DE LA PALE

- Insérez les vis de pale à travers le kit de pale et la pale puis fixer la pale au moteur en serrant les 2 vis. Fig.8
- Répétez cette procédure pour installer les autres pales au moteur.
- Finally install the bottom cover to the light kit housing by rotating it clockwise. Fig. 9

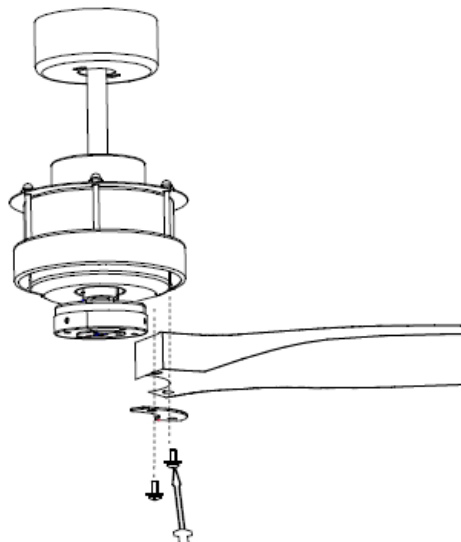


Fig. 8

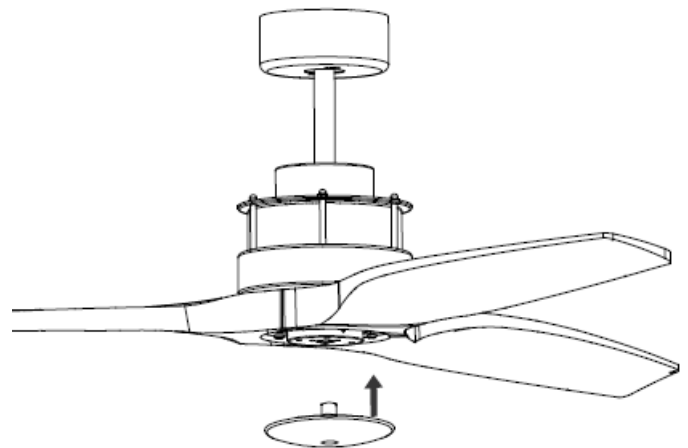


Fig. 9

INSTALLATION DU KIT D'ÉCLAIRAGE: (Facultatif, Kit d'éclairage non inclus)

Avant d'installer le kit d'éclairage sur le ventilateur, vous devez faire ce qui suit:

- Ne pas installer la couverture inférieure.
- Retirez l'adaptateur de la couverture inférieure (2) du boîtier de kit d'éclairage (1) en desserrant les 3 vis (3). Fig.10
- Installez l'adaptateur de kit d'éclairage (4) au boîtier du kit d'éclairage (1) à l'aide des 3 vis (3). Fig.10
- Installez le kit d'éclairage à l'adaptateur de kit d'éclairage en utilisant le mode d'emploi du kit d'éclairage.



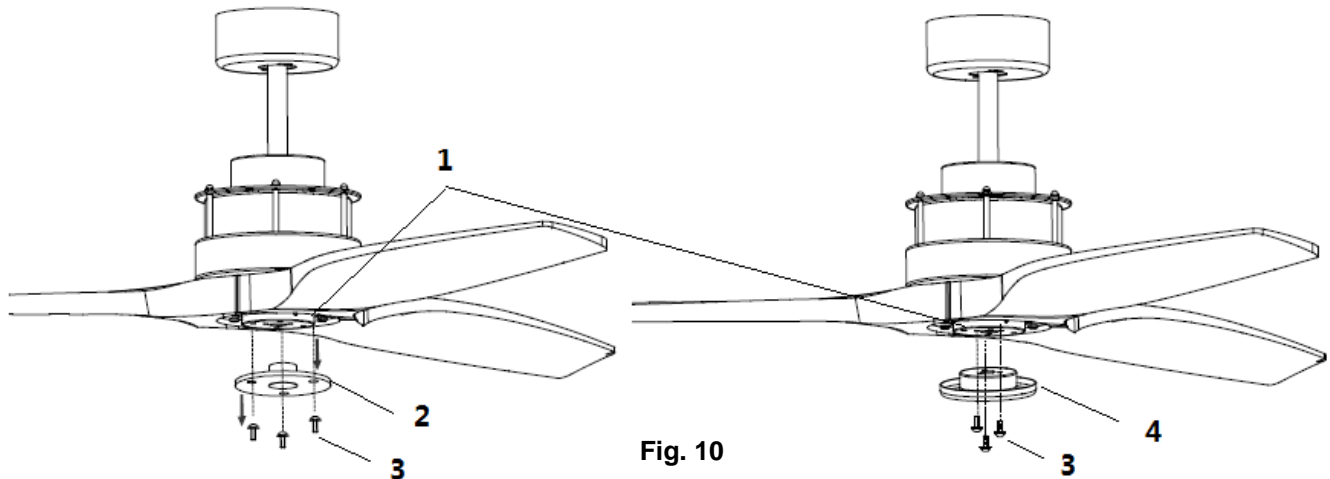


Fig. 10

L'UTILISATION DE VOTRE VENTILATEUR

Apparier l'émetteur et le récepteur - quand deux ou plusieurs ventilateurs de plafond CC sont installés dans un endroit

Lorsque deux ou plusieurs ventilateurs sont situés à proximité les uns des autres, vous aimeriez peut-être avoir un récepteur / émetteur pour chaque ventilateur réglé sur un code différent, de sorte que le fonctionnement d'un ventilateur n'affecte pas le fonctionnement de l'autre ventilateur.

Les commutateurs DIP pour l'émetteur (télécommande à distance) sont situés dans le compartiment de la batterie de l'émetteur. La configuration des commutateurs DIP permettra d'avoir un code de transmission unique attribué à chaque ventilateur de plafond.

Remarque: Assurez-vous que vous avez installé un interrupteur de déconnexion omnipolaire dans le câblage fixe de chaque ventilateur, en utilisant la fonction code du DIP.

Remarque: S'assurer que l'alimentation du récepteur est **en marche** avant le couplage de l'émetteur avec le récepteur.

L'appariement Émetteur / Récepteur pour le ventilateur de plafond 1:

- Arrêtez les deux ventilateurs de plafond 1 et 2 via le réseau électrique pour le récepteur.
- Faites glisser la couverture du compartiment de la batterie de l'émetteur pour accéder aux commutateurs DIP. Ce sera l'émetteur 1.
- Changer la position des commutateurs DIP dans l'émetteur à distance 1, de sorte qu'il soit différent de l'émetteur 2 Fig. 11
- Installez la batterie 12V dans le compartiment. S'il vous plaît assurez-vous que la polarité de la batterie est correcte.
- Démarrer l'alimentation au récepteur 1. Gardez le récepteur 2 sans alimentation. (Chaque ventilateur de plafond doit avoir son propre interrupteur d'isolement, de sorte que seul le ventilateur de plafond qui doit être apparié avec l'émetteur soit allumé).
- Appuyez et maintenez le Bouton "⏻" sur l'émetteur 1 pendant 5 secondes dans les 30 secondes suivant la mise sous tension du récepteur de ventilateur de plafond 1.



- Une fois que l'émetteur est couplé avec le récepteur de ventilateur de plafond 1, un bip sonore retentira deux fois. Activer / désactiver ou modifier la vitesse du ventilateur de plafond 1 à l'aide de l'émetteur pour vérifier le fonctionnement.

Réglage du ventilateur de plafond CC 2:

- Désactivez les deux ventilateurs de plafond 1 et 2 via le réseau électrique pour le récepteur.
- Faites glisser la couverture du compartiment de la batterie de l'émetteur pour accéder aux commutateurs DIP. Ce sera l'émetteur 2.
- Changez la position des commutateurs DIP dans l'émetteur à distance 2, de sorte qu'il soit différent de l'émetteur 1 Fig. 11
- Installez la batterie 12V dans le compartiment. S'il vous plaît assurez-vous que la polarité de la batterie est correcte.
- Démarrer l'alimentation au récepteur 2. Gardez le récepteur 1 sans alimentation (Chaque ventilateur de plafond doit avoir son propre interrupteur d'isolement, de sorte que seul le ventilateur de plafond qui doit être apparié avec l'émetteur soit allumé).
- Appuyez et maintenez le Bouton "⏻" sur **émetteur 2** pendant 5 secondes dans les 30 secondes suivant la mise sous tension du récepteur de ventilateur de plafond 2.
- Une fois que l'émetteur est couplé avec le récepteur de ventilateur de plafond 1, un bip sonore retentira deux fois. Activer / désactiver ou modifier la vitesse de ventilateur de plafond 1 à l'aide l'émetteur pour vérifier le fonctionnement.

Remarque: L'appariement de l'émetteur et du récepteur n'est pas nécessaire si un seul ventilateur de plafond est installé. Lorsque plus de deux ventilateurs de plafond sont installés à proximité les uns des autres, veuillez vous référer aux instructions ci-dessus.

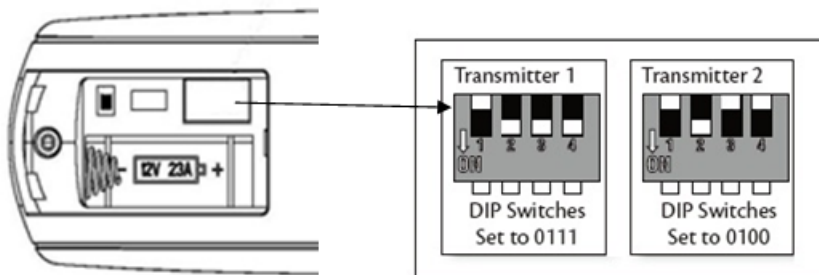


Fig. 11


Les touches de la télécommande


⏻ : TOUCHE DEMARRAGE / ARRÊT: Appuyez sur la touche pour démarrer / arrêter le ventilateur.

⊕ : TOUCHE D'AUGMENTATION DE VITESSE: Appuyez sur la touche pour augmenter la vitesse du ventilateur. L'indicateur LED indique la vitesse du ventilateur (vitesse1-6) en conséquence.


⊖ : TOUCHE DE DIMINUTION DE VITESSE: Appuyez sur la touche pour diminuer la vitesse du ventilateur.

L'indicateur LED indique la vitesse du ventilateur (vitesse1-6) en conséquence.

 : TOUCHE DE FONCTION INVERSE: Appuyez sur la touche pour activer la fonction inverse courante. Le ventilateur doit fonctionner pour pouvoir activer la fonction inverse.

 : TOUCHE D'ÉCOULEMENT NATUREL: Appuyez sur la touche pour que le ventilateur tourne avec un changement de vitesse automatique. Si le ventilateur fonctionne à la vitesse 1, 2, 3, appuyez sur cette touche pour permettre au ventilateur de fonctionner à une vitesse de changement inférieure. Si le ventilateur fonctionne à la vitesse 4,5,6, appuyez sur cette touche pour permettre au ventilateur de fonctionner à une vitesse de changement supérieure.

 : TOUCHE DE CONTROLE DE LUMIÈRE: Appuyez sur la touche pour allumer / éteindre la lumière.

Lorsque vous appuyez sur la touche de la télécommande, l'indicateur LED 1() sera activé. Si le voyant 1 est éteint, vous devez remplacer la batterie par une nouvelle batterie 12VCC.

Lorsque vous appuyez sur la touche de la télécommande, et que le récepteur reçoit bien le signal, il y aura un bip sonore.

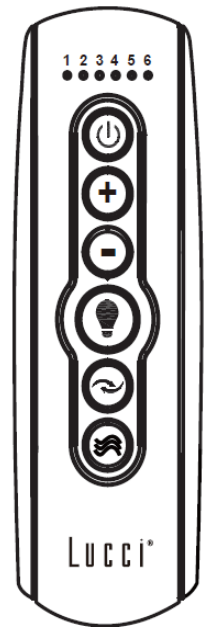


Fig. 12


RÉPARATION DU RÉCEPTEUR & DE LA TELECOMMANDE DU VENTILATEUR

Si la télécommande et le récepteur perdent le contrôle après l'installation ou lors de l'utilisation, l'appariement de la télécommande et du récepteur doit être réparé. Voici les symptômes et la méthode de réparation de l'appariement de la télécommande et du récepteur du ventilateur de plafond CC.

Problèmes:

- Perte de contrôle - Ventilateur ne tourne qu'à haute vitesse après l'installation
- Perte de contrôle - Aucune fonction inverse après l'installation
- Perte de contrôle - la télécommande ne communique pas avec le récepteur

Solution:

- Coupez l'alimentation principale du ventilateur de plafond.
- Appuyez et maintenez le Bouton "" sur **émetteur** pendant 5 secondes dans les 30 secondes suivant la mise sous tension du récepteur du ventilateur de plafond.
- Une fois que l'émetteur est couplé avec le récepteur du ventilateur de plafond, un bip sonore retentira deux fois. Activer / désactiver ou modifier la vitesse du ventilateur de plafond à l'aide l'émetteur pour vérifier le fonctionnement.



APRES L'INSTALLATION

L'OSCILLATION:

Remarque: Les ventilateurs de plafond ont tendance à bouger pendant le fonctionnement à cause du fait qu'ils soient montés sur une bague en caoutchouc. Si le ventilateur était monté de façon rigide au plafond il causerait une vibration excessive. Un mouvement de quelques centimètres est tout à fait acceptable et ne cause pas de problème.

POUR RÉDUIRE L'OSCILLATION DU VENTILATEUR: Veuillez vérifier que toutes les vis qui fixent le support de montage et la tige de suspension sont fixées.

KIT L'ÉQUILIBRE: Un kit d'équilibre est prévu pour équilibrer le ventilateur de plafond lors de l'installation initiale. Veuillez vous référer à l'instruction sur la façon d'utiliser le kit d'équilibre. Le kit d'équilibrage peut être utilisé pour aider le rééquilibrage dans le cas où le ventilateur de plafond redevenait non-équilibré. Garder votre kit d'équilibrage après installation pour une utilisation dans l'avenir le cas échéant.

LE BRUIT:

Quand il est calme (surtout la nuit), vous entendrez peut-être des petits bruits occasionnels. Les fluctuations de puissance faibles et les signaux de fréquence superposés dans l'électricité pour les périodes creuses de maîtrise de l'eau chaude, peuvent provoquer un changement dans le bruit du moteur du ventilateur.

C'est normal. Veuillez permettre une période de réglage de 24 heures, la plupart des bruits associés à un nouveau ventilateur disparaissent pendant ce temps.

La garantie du fabricant couvre les défauts réels qui peuvent se développer mais PAS les plaintes mineures telles que l'entente du fonctionnement du moteur - Tous les moteurs électriques sont audibles dans une certaine mesure.

ENTRETIEN ET NETTOYAGE

- Le nettoyage périodique de votre ventilateur de plafond est le seul entretien nécessaire. Utilisez une brosse ou un chiffon doux non pelucheux pour éviter de gratter la peinture de finition. S'il vous plaît coupez l'alimentation électrique lorsque vous le faites.
- Ne pas utiliser d'eau pour nettoyer votre ventilateur de plafond. Cela pourrait endommager le moteur ou les pales et créer la possibilité d'un choc électrique.
- Le moteur a un lubrificateur à roulement à billes en permanence. Il n'a pas besoin d'huile.

Remarque: Toujours couper l'alimentation à l'interrupteur principal avant de tenter de nettoyer votre ventilateur.

INFORMATION TECHNIQUE

AirFusion Akmani SÉRIE VENTILATEUR CC	Tension nominale	Puissance nominale (moteur)	Batterie pour télécommande
Ventilateur de pale 60" uniquement	220-240VAC	36W	1 x 12V 23AE

INFORMATIONS SUR LA GARANTIE

EN AUSTRALIE / NOUVELLE-ZELANDE – Veuillez vous référer à la DECLARATION DE GARANTIE séparée.

EN EUROPE - Si vous êtes un client européen veuillez contacter le point de vente où le ventilateur fut acheté pour un service de garantie.



E

ENHORABUENA POR SU COMPRA

Enhorabuena por adquirir lo último en ventiladores de techo que ahorran energía. Este ventilador funciona con alimentación CC (corriente continua) lo que le otorga la ventaja de ser muy eficiente energéticamente a la vez que todavía mantiene un gran volumen de movimiento de aire y un funcionamiento silencioso.

Ahorro de energía – El motor CC es la última tecnología en diseño de ventiladores. Su motor altamente eficiente ahorra hasta un 65% más de energía que los ventiladores de techo con los motores tradicionales CA.

Funcionamiento silencioso – este motor CC está programado con una corriente estabilizada lo que reduce de forma eficiente el ruido del motor.


Baja temperatura de funcionamiento – La alimentación CC está gestionada de forma eficiente lo que reduce la temperatura operativa del motor a menos de 50 grados. Esto provoca un motor mucho más frío que un ventilador CA estándar y aumenta la longevidad del motor.

Con un mando a distancia de 6 velocidades, los ventiladores normales CA normalmente se presentan sólo con 3 velocidades y este ventilador CC se presenta completo con un mando a distancia de 6 velocidades, lo que ofrece una mayor elección de niveles de comodidad.

PRECAUCIONES DE SEGURIDAD

- 1) Europa: este aparato pueden usarlo niños con una edad a partir de 8 años y por personal con capacidades físicas, sensoriales o mentales reducidas o con falta de experiencia o conocimientos si se les ha ofrecido supervisión o instrucciones respecto al uso del aparato de forma segura y si comprenden los riesgos que implican. La limpieza y el mantenimiento no deben realizarlo los niños sin supervisión.
- 2) Australia: este aparato no está diseñado por el uso de niños pequeños o por personas enfermas salvo que se les haya supervisado adecuadamente por parte de una persona responsable para asegurarse que pueden usar el aparato con seguridad.
- 3) Se debe supervisar a los niños para asegurarse que no juegan con el aparato.
- 4) Se debe incorporar un interruptor de desconexión de todos los polos en el cableado fijo conforme a las normas de cableado.



- 5)  No elimine los aparatos eléctricos como residuos municipales sin clasificar; use los puntos de recogida separados. Póngase en contacto con su ayuntamiento local para obtener información respecto a los sistemas de recogida disponibles. En caso de que se deshaga de aparatos eléctricos en vertederos o basureros, se pueden filtrar sustancias peligrosas en el agua subterránea y entrar en la cadena alimentaria, dañando su salud y bienestar.
- 6) La estructura en la que debe montarse debe ser capaz de soportar un peso de 40kg.
- 7) El ventilador debe montarse de forma que los alabes estén a al menos **2.3** metros por encima del suelo en Europa.
- 8) El ventilador debe montarse de forma que los alabes estén a al menos **2.1** metros por encima del suelo en Australia.
- 9) Este ventilador es apto solo para uso doméstico. Es peligroso montar el ventilador en una situación donde esté sujeto al agua o humedad.
- 10) Únicamente un electricista autorizado debe realizar la instalación.



ANTES DE LA INSTALACIÓN

Desembale el ventilador y compruebe los contenidos. Debe disponer de lo siguiente:

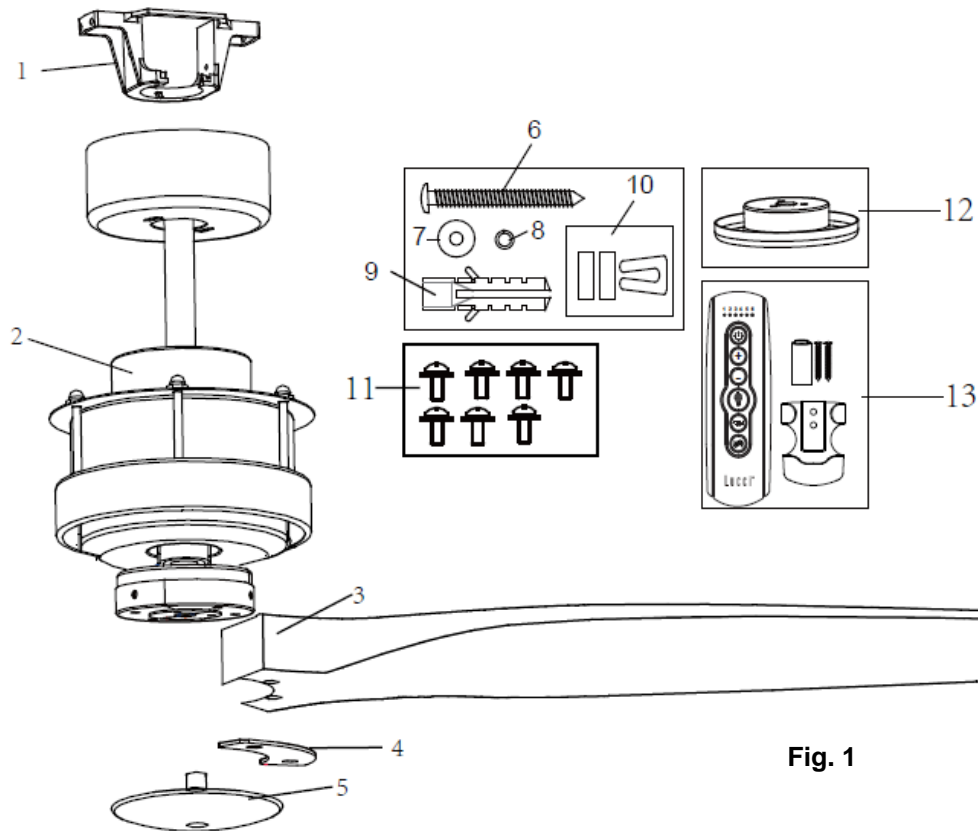


Fig. 1

- | | | | |
|----|--|-----|-----------------------------------|
| 1. | 1 abrazadera de montaje | 7. | 2 arandelas planas |
| 2. | Ventilador con una tapa de soporte, varilla vertical, cubierta del toldo y 1 toldo | 8. | 2 arandelas elásticas |
| 3. | 3 alabes | 9. | 2 tacos para tornillos |
| 4. | 3 juegos de alabes | 10. | 1 juego de kit de equilibrado |
| 5. | 1 cubierta inferior | 11. | 7 tornillos del motor para alabes |
| 6. | 2 tornillos de madera | 12. | 1 adaptador de iluminación |
| | | 13. | 1 mando a distancia |



INSTALACIÓN DEL VENTILADOR

HERRAMIENTAS NECESARIAS:

- Destornillador Phillips / de cabeza plana
- Alicates
- Llave inglesa
- Escalera
- Tijeras para cortar cable
- Cable, cable de alimentación necesario según los códigos y normativas eléctricas locales, nacionales y provinciales.

INSTALACIÓN DE LA ABRAZADERA DE MONTAJE

El ventilador de techo debe instalarse en una ubicación de forma que los alabes presenten un espacio de 300mm desde la punta del alabe a los objetos o paredes más cercanos.

Asegure la abrazadera de montaje a la viga del techo o estructura de forma que sea capaz de soportar una carga de al menos 40kg, con los dos tornillos largos que se adjuntan. Asegúrese que se enrosca al menos 30mm del tornillos en el soporte.

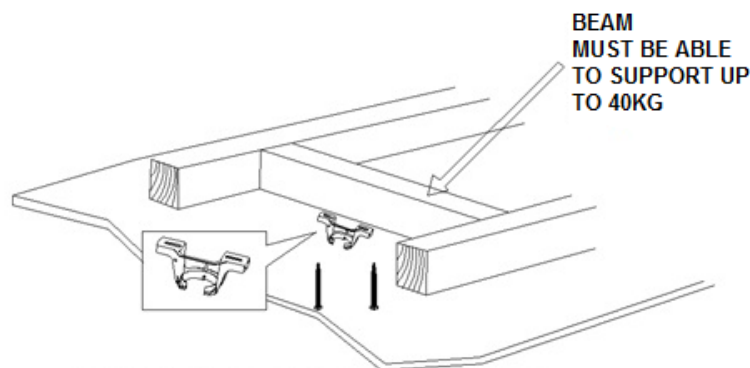


Figura 2

NOTE: THIS PICTURE IS FOR REPRESENTATION ONLY AND DOES NOT REPRESENT THE ACTUAL BRACKET.

NOTA: los tornillos de la abrazadera que se adjuntan son únicamente para su uso con estructuras de madera. Para otras estructuras diferentes a la madera, DEBE usarse el tipo de tornillos adecuado.

INSTALACIÓN EN ÁNGULO EN EL TECHO

Este sistema de suspensión del ventilador soporta un máximo de instalación en ángulo en techo de 15 grados.

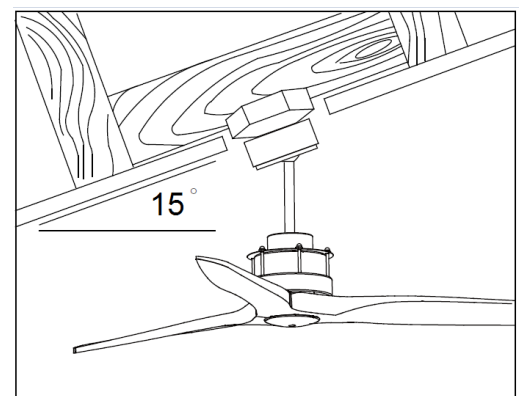


Figura. 3



COLGAR EL MOTOR DEL VENTILADOR

- Levante el ventilador sobre la abrazadera de montaje. Figura 4
- Asegúrese que la muesca de la rótula está colocada sobre la pieza de cierre de la abrazadera de montaje para evitar que el ventilador gire cuando está en funcionamiento. Figura 5

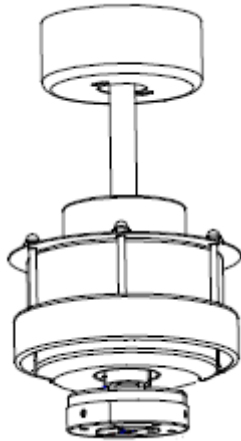


Figura 4

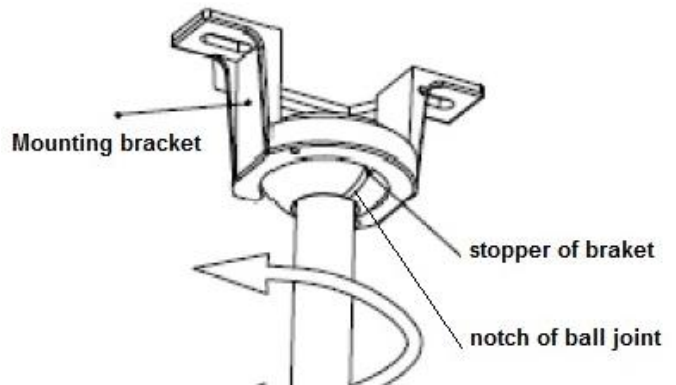


Figura 5

PREPARE Y COMPLETE EL CABLEADO ELÉCTRICO --- DIAGRAMA DE CABLEADO (FIGURA 6)

ADVERTENCIA: POR SU SEGURIDAD, TODAS LAS CONEXIONES ELÉCTRICAS DEBE REALIZARLAS UN ELECTRICISTA CUALIFICADO.

NOTA: SE DEBE INCLUIR UN INTERRUPTOR DE DESCONEXIÓN DE TODOS LOS POLOS EN EL CABLEADO FIJO. POR FAVOR, ASEGÚRESE QUE EL INTERRUPTOR PRINCIPAL SE HA APAGADO ANTES DE CONECTARLO.

NOTA: SI HAY DOS O MÁS VENTILADORES DE TECHO CC INSTALADOS EN UNA UBICACIÓN, ES NECESARIO UN CONTACTOR DE AISLAMIENTO PARA CADA VENTILADOR DE TECHO. ESTO ES NECESARIO CUANDO SE PROGRAMA EL MANDO A DISTANCIA Y EL RECEPTOR PARA EMPAREJARLOS JUNTOS.

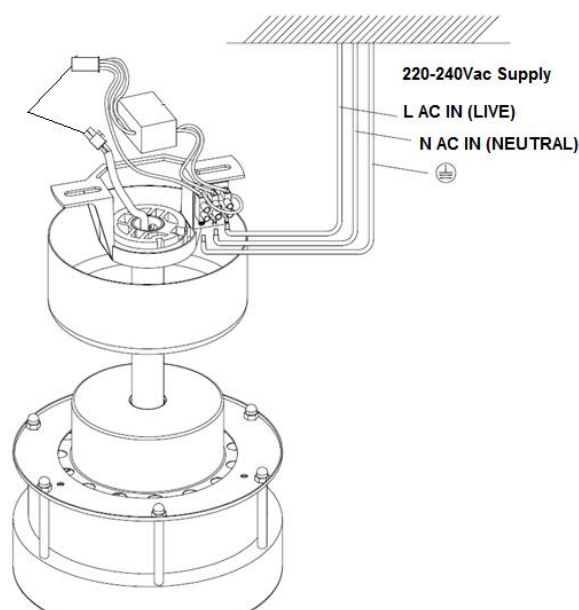


Figura 6



INSTALACIÓN DE LA CUBIERTA DEL TOLDO

- Afloje los 2 tornillos de la parte inferior de la abrazadera de montaje. Figura 7
- Deslice el toldo hasta la abrazadera de montaje y coloque el orificio pequeño del toldo sobre el tornillo de la abrazadera de montaje; gire el toldo hasta que se bloquee en su lugar en la sección estrecha de los orificios pequeños y asegúrelo apretando los dos tornillos. Evite dañar el cableado eléctrico preparado con anterioridad.

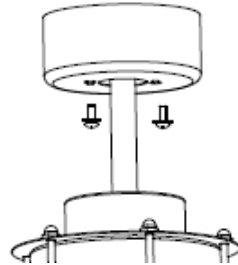


Figura 7

INSTALACIÓN DE LOS ALABES

- Inserte los tornillos de los alabes a través del conjunto de alabes y alabes y posteriormente asegure el alabe al motor apretando los 2 tornillos. Figura 8
- Repita este proceso para instalar los restantes alabes al motor.
- Para finalizar, instale la cubierta inferior a la carcasa del kit de iluminación girándolo en sentido horario. Figura 9

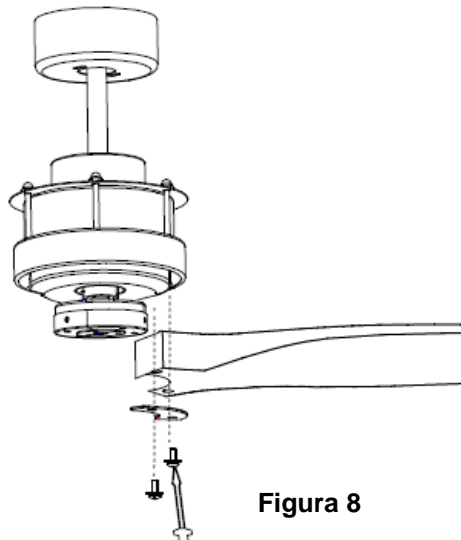


Figura 8

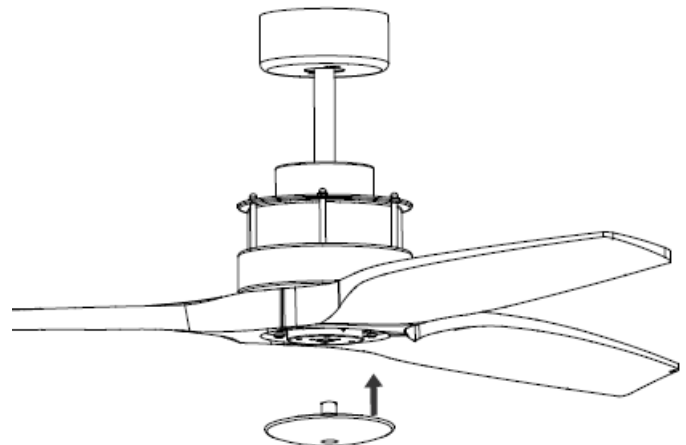


Figura 9

INSTALACIÓN DEL KIT DE ILUMINACIÓN: (Opcional, kit de iluminación no incluido)

Antes de instalar el kit de iluminación al ventilador, es necesario hacer lo siguiente:

- No instale la cubierta inferior.
- Retire el adaptador de la cubierta inferior (2) desde la carcasa del kit de iluminación (1) aflojando los 3 tornillos (3). Figura 10
- Instale el adaptador del kit de iluminación (4) a la carcasa del kit de iluminación (1) usando los 3 tornillos (3). Figura 10
- Instale el adaptador del kit de iluminación usando las instrucciones de la guía de usuario del kit de iluminación.



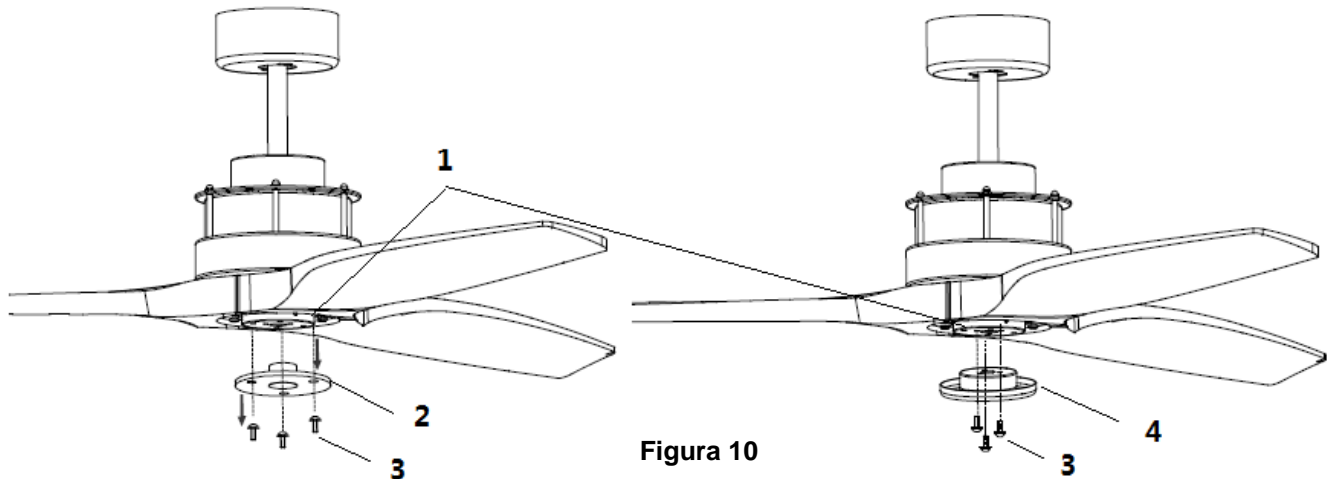


Figura 10

USO DEL VENTILADOR DE TECHO

Emparejar el transmisor y el receptor – cuando están instalados en un mismo lugar 2 o más ventiladores de techo CC


Cuando dos o más ventiladores están situados uno cerca del otro, puede que desee que el receptor / transmisor de cada ventilador estén fijados con un código diferente, de forma que el funcionamiento de un ventilador no afecte al funcionamiento de los otros ventiladores.

Los interruptores DIP para el transmisor (mando a distancia manual) están situados en el compartimento de las pilas del transmisor. La configuración de los interruptores DIP permiten un único código de transmisión asignado a cada ventilador de techo.

NOTA: asegúrese que ha instalado un interruptor de desconexión de todos los polos en el cableado fijo para cada ventilador, cuando use la función de código DIP.


NOTA: asegúrese que la alimentación del receptor está **CONECTADA(ON)** antes de emparejar el transmisor con el receptor.

Emparejamiento del transmisor / receptor para el ventilador de techo 1:

- Apague ambos ventiladores 1 y 2 mediante la alimentación del receptor.
- Deslice la tapa del compartimento de la batería del transmisor para acceder a los interruptores DIP. Éste será el transmisor 1.
- Cambie la posición de los interruptores DIP del transmisor a distancia 1, de forma que sea diferente del transmisor 2. Figura 11
- Instale la batería de 12VDC en el compartimento. Por favor, asegúrese que la polaridad de la batería es correcta.
- Encienda la alimentación del receptor 1. Mantenga la alimentación APAGADA(OFF) en el receptor 2. {Cada ventilador de techo debe tener su propio interruptor de aislamiento, de forma que el único ventilador de techo que es necesario emparejar con el transmisor estará CONECTADO(ON)}.
- Pulse y mantenga pulsado el botón “” del **transmisor 1** durante 5 segundos dentro de los 30 segundos posteriores al encendido de la alimentación del receptor del ventilador de techo 1.
- Una vez que el transmisor está emparejado con el receptor del ventilador de techo 1, pitará dos veces. ENCIEDA / APAGUE o cambie la velocidad del ventilador de techo 1 mediante el transmisor para comprobar su funcionamiento.



Configurar el ventilador de techo CC 2:

- Apague ambos ventiladores de techo 1 y 2 mediante la alimentación del receptor.
- Deslice la tapa del compartimento de la batería del transmisor para acceder a los interruptores DIP. Éste será el transmisor 2.
- Cambie la posición de los interruptores DIP del transmisor a distancia 2, de forma que sea diferente del transmisor 1. Figura 11
- Instale la batería de 12VDC en su compartimento. Por favor, asegúrese que la polaridad de la batería es correcta.
- Encienda la alimentación del receptor 2. Mantenga la alimentación APAGADA en el receptor 1. (Cada ventilador de techo debe tener su propio interruptor de aislamiento, de forma que el único ventilador de techo que es necesario emparejar con el transmisor estará CONECTADO).
- Pulse y mantenga pulsado el botón “” del **transmisor 2** durante 5 segundos dentro de los 30 segundos posteriores al encendido de la alimentación del receptor del ventilador de techo 2.
- Una vez que el transmisor está emparejado con el receptor del ventilador de techo 1, pitará dos veces. ENCIEDA / APAGUE o cambie la velocidad del ventilador de techo 1 mediante el transmisor para comprobar su funcionamiento.

Nota: no es necesario el emparejamiento del transmisor y receptor si está instalado únicamente un ventilador de techo. Cuando se instalan más de dos ventiladores de techo muy cercanos entre sí, por favor remítase a las instrucciones que aparecen arriba.

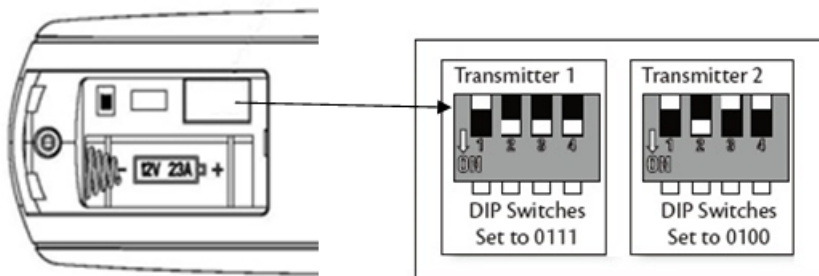





Figura 11


Botones del mando a distancia

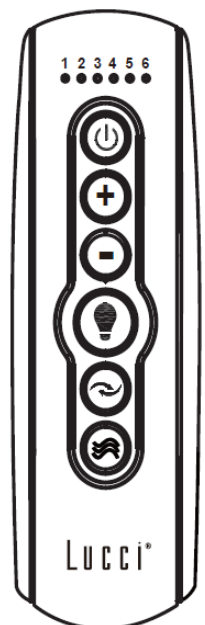
Figura 12


 : BOTÓN VENTILADOR ENCENDIDO/APAGADO(ON/OFF): pulse el botón para encender / apagar el ventilador.


 : VELOCIDAD DE AUMENTO DE VELOCIDAD: pulse el botón para aumentar la velocidad del ventilador. El indicador LED indicará la velocidad del ventilador (velocidad 1-6) respectivamente.


 : BOTÓN DE DISMINUCIÓN DE VELOCIDAD: pulse el botón para disminuir la velocidad del ventilador. El indicador LED indicará la velocidad del ventilador (velocidad 1-6) respectivamente.

 : BOTÓN DE FUNCIÓN INVERSA: pulse el botón para activar la función de funcionamiento inverso. El ventilador debe estar en funcionamiento para activar la función inversa.



 : BOTÓN DE FLUJO NATURAL: pulse el botón para configurar el funcionamiento del ventilador a velocidades diferentes de forma automática. Si el ventilador funciona a la velocidad 1, 2, 3, pulse este botón para dejar que el ventilador funcione a una velocidad diferente más baja. Si el ventilador funciona a la velocidad speed 4,5,6, pulse este botón para dejar que el ventilador funcione a una velocidad diferente más alta.

 : BOTÓN DE CONTROL DE ILUMINACIÓN: pulse el botón para encender/apagar(on/off) la iluminación.

Cuando se pulsa el botón del mando a distancia, el indicador LED 1() se encenderá. Si el indicador LED 1 está apagado, es necesario sustituir la batería por una nueva batería de 12VCC.

Cuando se pulsa el botón del mando a distancia, si el receptor recibe bien la señal, pitará una vez.


REPARACIÓN DEL RECEPTOR DEL VENTILADOR Y DEL EMPAREJAMIENTO DEL MANDO A DISTANCIA

En caso de que el mando a distancia y el receptor pierdan el control tras la instalación o durante el uso, se debe reparar el emparejamiento del mando a distancia y del receptor. Debajo se presentan los síntomas de funcionamiento y el método para reparar el emparejamiento del mando a distancia y receptor del ventilador de techo CC.

Problemas:

- Pérdida de control – el ventilador solo funciona a una velocidad elevada tras la instalación
- Pérdida de control - no hay función inversa tras la instalación
- Pérdida de control – el mando a distancia no se puede comunicar con el receptor

Solución:

- Apague la alimentación principal del ventilador de techo.
- Pulse y mantenga pulsado el botón  del **transmisor** durante 5 segundos dentro de los 30 segundos tras el encendido de la alimentación del receptor del ventilador de techo.
- Una vez que el transmisor se empareja con el receptor del ventilador de techo, pitará dos veces. ENCIEDA/APAGUE(ON/OFF) o cambie la velocidad del ventilador de techo mediante el transmisor para comprobar su funcionamiento.

TRAS LA INSTALACIÓN

BALANCEO DEL EJE:

Nota: los ventiladores de techo tienden a moverse durante su funcionamiento debido al hecho de que están montados sobre un ojal de goma. Si el ventilador se monta de forma rígida en el techo podría provocar una vibración excesiva. El movimiento de unos centímetros es bastante aceptable y no sugiere ningún problema.

PARA REDUCIR EL BALANCEO DEL EJE DEL VENTILADOR: por favor, compruebe que todos los tornillos que se fijan a la abrazadera de montaje y a la varilla vertical están seguros.

KIT DE EQUILIBRADO: se suministra un kit de equilibrado en la instalación inicial. Por favor, remítase a las instrucciones sobre cómo usar el kit de equilibrado. Se puede usar el kit de equilibrado para ayudar a volver a



Airfusion Akmani Installation Instructions

equilibrarse en caso de que el ventilador de techo se vuelva a desequilibrar. Guarde el kit de equilibrado tras la instalación para su uso futuro si es necesario.

RUIDO:

Cuando todo esté silencioso (en especial por la noche) puede oír pequeños ruidos ocasionales. Las ligeras fluctuaciones de corriente y de señales de frecuencia superpuestas en la electricidad para el control de agua caliente fuera de las horas punta pueden provocar un cambio en el ruido del motor del ventilador.

Esto es normal. Por favor, deje un periodo de “instalación” de 24 horas; la mayoría de los ruidos asociados con un ventilador nuevo desaparecen durante este tiempo.

La garantía del fabricante cubre los fallos reales que pueden producirse y NO pequeñas quejas como oír el funcionamiento del motor – Todos los motores eléctricos se oyen hasta cierto punto.

CUIDADO Y LIMPIEZA

- El único mantenimiento requerido es una limpieza periódica del ventilador de techo. Use un cepillo suave o un paño sin hilos para evitar rayar el acabado de pintura. Por favor, apague la alimentación eléctrica cuando lo haga.
- No use agua cuando limpie el ventilador de techo. Puede provocar daños en el motor o en los alabes y crear la posibilidad de una descarga eléctrica.
- El motor presenta un cojinete de bolas permanentemente lubricado. No es necesario engrasarlo.

NOTA: apague siempre la alimentación del interruptor de corriente antes de intentar limpiar el ventilador.

INFORMACIÓN TÉCNICA

Modelos de VENTILADOR CC SERIE AIRFUSION AKMANI	Tensión nominal	Potencia nominal (motor)	Batería para el mando a distancia
Sólo para el ventilador con alabe de 60”	220-240VAC	36W	1 x 12V 23AE

INFORMACIÓN SOBRE LA GARANTÍA

EN AUSTRALIA / NUEVA ZELANDA – Por favor remítase a la DECLARACIÓN DE GARANTÍA separada.

EN EUROPA – Si es un cliente europeo, por favor póngase en contacto con el establecimiento donde adquirió el ventilador para el servicio de garantía.



I

CONGRATULAZIONI PER IL VOSTRO ACQUISTO

Congratulazioni per aver acquistato il prodotto più recente tra i ventilatori da soffitto a risparmio d'energia. Questo ventilatore funziona a CC (corrente continua) con il vantaggio che è super efficiente dal punto di vista energetico, pur mantenendo un alto volume di spostamento d'aria ed un funzionamento silenzioso.

Risparmio energetico – Il motore a corrente continua è la tecnologia più recente nella progettazione di ventilatori. Il suo motore altamente efficiente fa risparmiare più del 65% d'energia rispetto ai ventilatori da soffitto con i tradizionali motori a corrente alternata.

Funzionamento silenzioso – questo motore a corrente continua per ventilatore è programmato con una corrente stabilizzata che riduce in maniera efficiente il rumore del motore.


Bassa temperatura di funzionamento – L'alimentazione a corrente continua viene gestita in modo efficiente, il che abbassa la temperatura di funzionamento del motore a meno di 50 gradi. Ciò risulta in un motore molto più fresco di un ventilatore standard a corrente alternata ed aumenta la vita del motore.

Telecomando a 6 velocità, i normali ventilatori da soffitto a corrente alternata di solito hanno solo 3 velocità, questo ventilatore a corrente continua viene con un telecomando a 6 velocità, il che dà una più ampia scelta di livelli di comodità.

PRECAUZIONI DI SICUREZZA

- 1) Europa: Questo elettrodomestico può essere usato dai bambini dagli 8 anni in su e da persone con ridotte capacità fisiche, sensoriali o mentali o con mancanza d'esperienza e conoscenza, se sono controllate o se vengono loro date istruzioni sull'uso sicuro dell'elettrodomestico e ne comprendono i pericoli. La pulizia e la manutenzione non dovrebbero essere fatte da bambini senza supervisione.
- 2) Australia: Questo elettrodomestico non è inteso per l'uso da parte di bambini piccoli o da persone inferme, salvo esse siano adeguatamente controllate da una persona responsabile per assicurarsi che sappiano usare l'elettrodomestico in modo sicuro.
- 3) I bambini dovrebbero essere controllati per assicurarsi che non giochino con l'elettrodomestico.
- 4) Deve essere incorporato nel cablaggio fisso un sezionatore onnipolare secondo i regolamenti di cablaggio.



- 5)  Non smaltite gli elettrodomestici come rifiuti cittadini non differenziati, usate le strutture di raccolta differenziata. Contattate il vostro governo locale per ottenere informazioni relativamente ai sistemi di raccolta disponibili. Se gli elettrodomestici sono smaltiti in discariche, delle sostanze pericolose possono percolare nelle falde acquifere ed inserirsi nella catena alimentare, recando danni alla vostra salute e benessere.
- 6) La struttura su cui deve essere montato il ventilatore deve essere in grado di sostenere un peso di 40kg.
- 7) In Europa il ventilatore dovrebbe essere montato in modo che le pale si trovino ad almeno **2,3** metri al di sopra del pavimento.
- 8) In Australia il ventilatore dovrebbe essere montato in modo che le pale si trovino ad almeno **2,1** metri al di sopra del pavimento.
- 9) Questo ventilatore è adatto solo per uso interno. E' pericoloso montare il ventilatore in una situazione in cui è soggetto ad acqua od umidità.
- 10) L'installazione dovrebbe essere eseguita solo da un elettricista autorizzato.



PRIMA DELL'INSTALLAZIONE

Disimballate il vostro ventilatore e verificate il contenuto. Dovreste avere quanto segue:

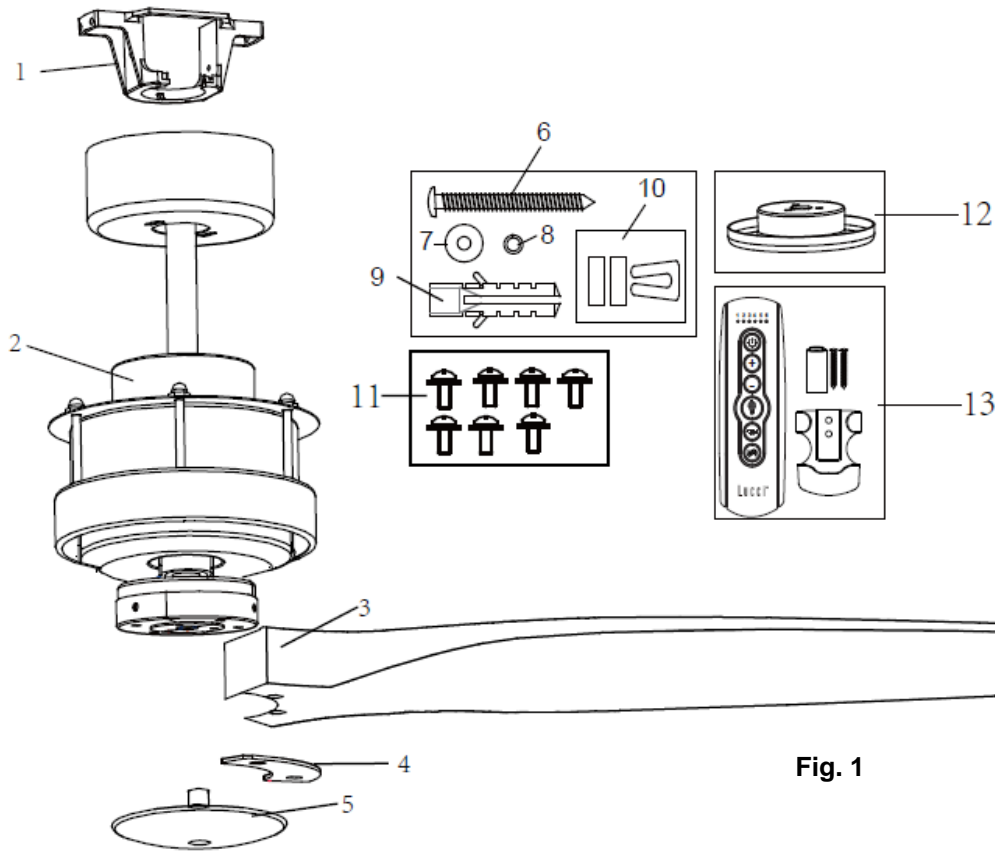


Fig. 1

- | | |
|--|---|
| 1. Staffa di montaggio x 1 | 7. Rondelle piatte x 2 |
| 2. Gruppo ventilatore con coperchio gancio, barra discendente, coperchio calotta e calotta x 1 | 8. Rondelle a molla x 2 |
| 3. Pale x 3 | 9. Tasselli da muro per viti x 2 |
| 4. Kit per pale x 3 | 10. Kit di bilanciamento x 1 insieme |
| 5. Coperchio inferiore x 1 | 11. Viti da metallo per pale x 7 |
| 6. Viti da legno x 2 | 12. Adattatore kit luce x 1 |
| | 13. Insieme telecomando manuale x 1 insieme |



INSTALLAZIONE DEL VENTILATORE

ATTREZZI NECESSARI:

- Cacciavite a stella/a testa piatta
- Un paio di pinze
- Una chiave inglese regolabile
- Scala
- Pinza tagliafili
- Fili elettrici, cavo d'alimentazione, come richiesti dai codici e regolamenti elettrici locali, provinciali e nazionali.

INSTALLAZIONE DELLA STAFFA DI MONTAGGIO

Il ventilatore da soffitto deve essere installato in una posizione tale che vi siano 300 mm di spazio dalla punta della pala all'oggetto o al muro più vicino.

Assicurate, con le due viti lunghe fornite, la staffa di sospensione alla trave del soffitto o ad una struttura che sia in grado di sostenere un carico di almeno 40 kg. Assicuratevi che almeno 30mm della vite siano avvitati nel supporto.

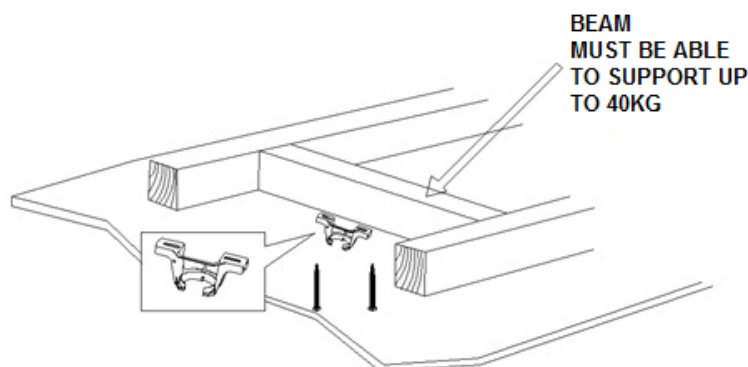


Fig. 2

NOTE: THIS PICTURE IS FOR REPRESENTATION ONLY AND DOES NOT REPRESENT THE ACTUAL BRACKET.

NOTA: Le viti della staffa fornite sono per utilizzo solo su strutture in legno. Per strutture diverse dal legno DEVONO essere utilizzate le viti adeguate.

INSTALLAZIONE SU SOFFITTO INCLINATO

Questo sistema di ventilatore sospeso tollera un'installazione su un soffitto inclinato di massimo 15 gradi.

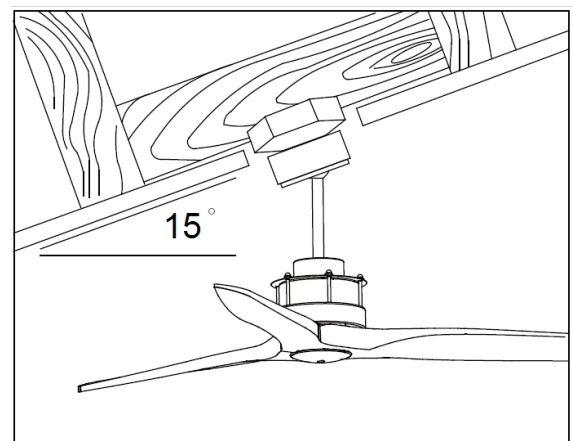


Fig. 3



COME APPENDERE IL GRUPPO MOTORE DEL VENTILATORE

- Sollevare il gruppo ventilatore sulla staffa di montaggio Figura 4
- Assicuratevi che la tacca della giunzione a sfera sia posizionata sul fermo della staffa di montaggio per impedire al ventilatore di ruotare quando in funzione. Figura 5

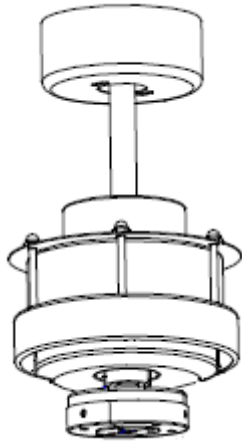


Fig. 4

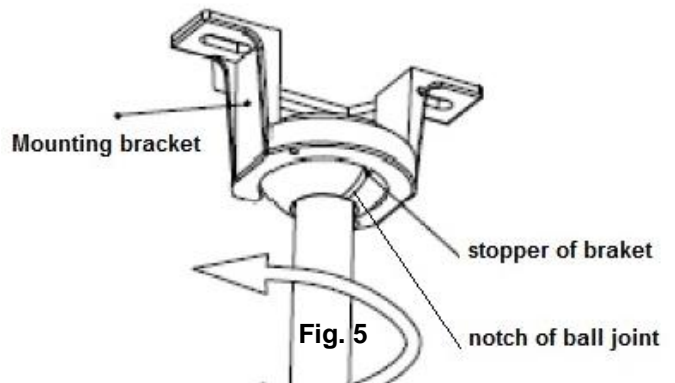


Fig. 5

PREPARARE E COMPLETARE IL CABLAGGIO ELETTRICO – SCHEMA ELETTRICO (FIG. 6)

AVVERTENZA: PER LA VOSTRA SICUREZZA, TUTTE LE CONNESSIONI ELETTRICHE DEVONO ESSERE ESEGUITE DA UN ELETTRICISTA AUTORIZZATO.

NOTA: NEL CABLAGGIO FISSO DEVE ESSERE INCLUSO UN SEZIONATORE ONNIPOLARE AGGIUNTIVO. ASSICURATEVI CHE L'INTERRUTTORE PRINCIPALE SIA STATO SPENTO PRIMA DI EFFETTUARE LE CONNESSIONI.

NOTA: SE SONO INSTALLATI DUE O PIÙ VENTILATORI DA SOFFITTO A CORRENTE CONTINUA NELLA STESSA LOCAZIONE, È RICHiesto UN INTERRUTTORE DI ISOLAMENTO PER OGNI VENTILATORE A SOFFITTO. CIÒ È RICHiesto QUANDO SI PROGRAMMA L'ACCOPIAMENTO DEL TELECOMANDO E DEL RICEVITORE..

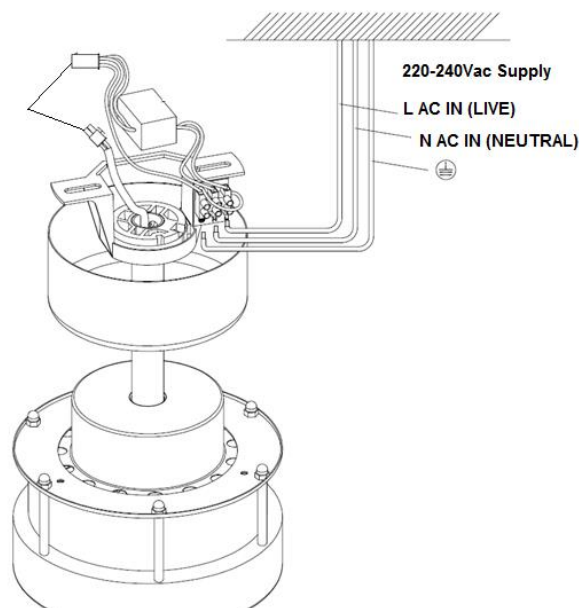


Fig. 6



INSTALLAZIONE DEL COPERCHIO DELLA CALOTTA

- Allentate le 2 viti dal fondo della staffa di montaggio. Figura 7
- Fate scivolare la calotta fino alla staffa di montaggio e mettete il foro sulla calotta direttamente sulla vite sulla staffa di montaggio, girate la calotta fino a che si blocca al suo posto nella sezione stretta dei fori ed assicuratela stringendo le due viti predisposte. Evitate di danneggiare i fili elettrici predisposti.

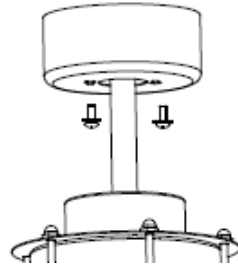


Fig. 7

INSTALLAZIONE DELLA PALA

- Inserite le viti della pala passando attraverso il kit della pala e la pala stessa, quindi assicurate la pala al motore stringendo le 2 viti. Figura 8
- Ripetere questo processo per installare le altre pale sul motore.
- Infine installate il coperchio inferiore sull'alloggiamento del kit luce ruotandolo in senso orario. Figura 9

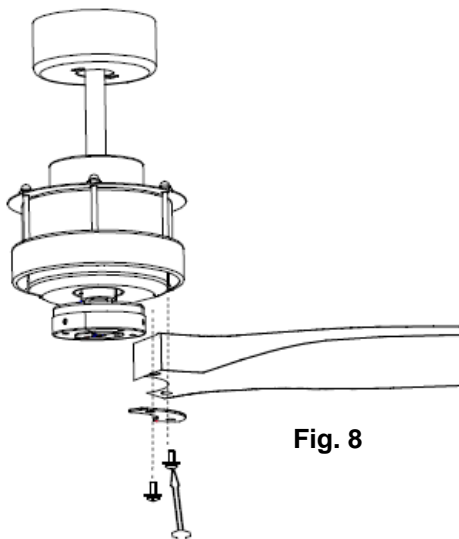


Fig. 8

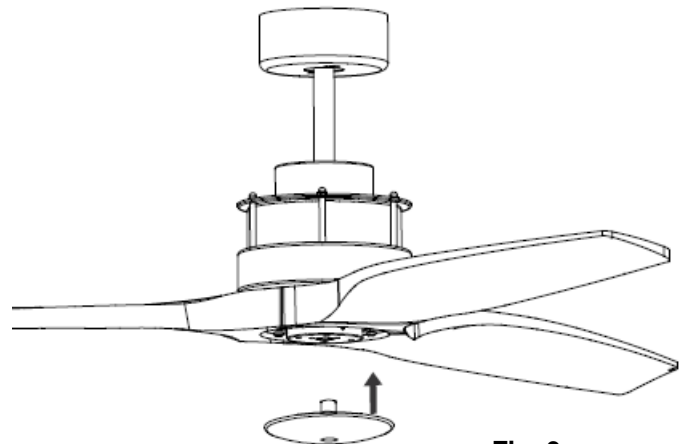


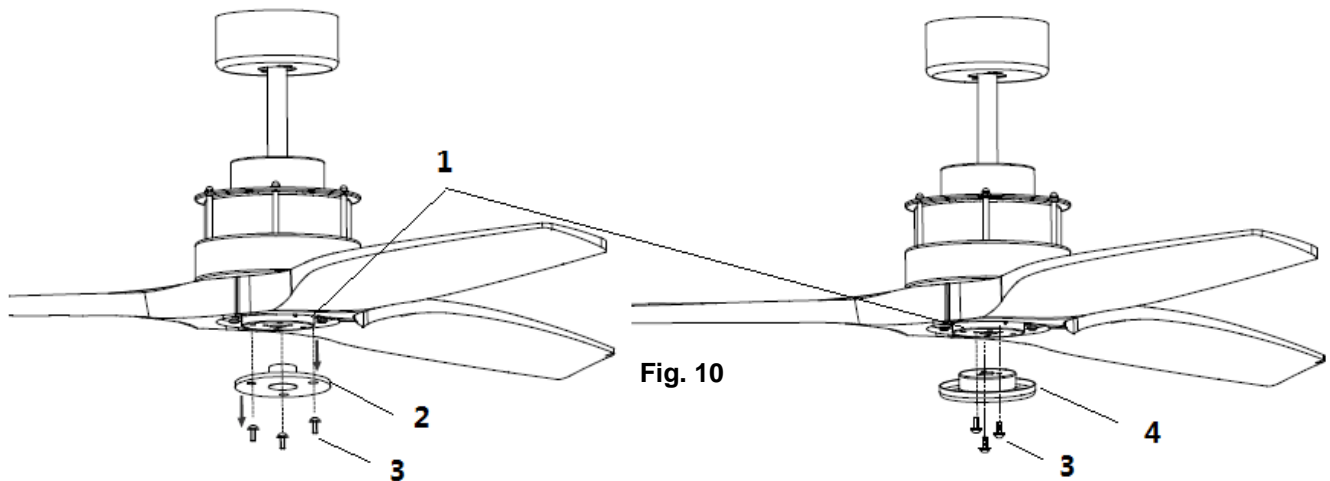
Fig. 9

INSTALLAZIONE DEL KIT LUCE: (Opzionale, kit luce non incluso)

Prima di installare il kit luce sul ventilatore dovete fare quanto segue:

- Non installate il coperchio inferiore.
- Rimuovete l'adattatore del coperchio inferiore (2) dall'alloggiamento del kit luce (1) allentando le 3 viti (3). Figura 10
- Installate l'adattatore per il kit luce (4) nell'alloggiamento del kit luce (1) usando le 3 viti (3). Figura 10
- Installate il kit luce all'adattatore per il kit luce usando il manuale utente per il kit luce.





UTILIZZO DEL VOSTRO VENTILATORE A SOFFITTO

Accoppiamento del trasmettitore e ricevitore- quando 2 o più ventilatori a soffitto a corrente continua sono installate in una sola locazione.

Quando due o più ventilatori a soffitto sono posti vicini l'uno all'altro, potreste voler impostare il ricevitore/trasmettitore per ogni ventilatore su un codice diverso, in modo che il funzionamento di un ventilatore non influisca sul funzionamento del/degli altro/i ventilatore/i.

I commutatori DIP per il trasmettitore (telecomando) sono posti nel comparto batterie del trasmettitore. La configurazione dei commutatori DIP permetterà che ad ogni ventilatore da soffitto sia assegnato un codice di trasmissione unico.

NOTA: Assicuratevi di aver installato un sezionatore onnipolare nel cablaggio fisso per ogni ventilatore, quando usate la funzione codice del commutatore DIP.

NOTA: Assicuratevi che l'alimentazione al Ricevitore sia su **ON** prima di accoppiare il trasmettitore al ricevitore.

Accoppiamento trasmettitore/ricevitore per ventilatore da soffitto 1:

- Spegnete entrambi i ventilatori da soffitto 1 e 2 tramite l'alimentazione elettrica principale al ricevitore.
- Fate scivolare il coperchio del comparto batterie del trasmettitore per accedere ai commutatori DIP. Questo sarà il trasmettitore 1.
- Cambiate la posizione dei commutatori DIP nel telecomando 1, in modo che sia diversa da quella del trasmettitore 2. Figura 11
- Installate la batteria CC da 12V nel comparto. Assicuratevi che la polarità della batteria sia corretta.
- Aprite l'alimentazione al ricevitore 1 (ON). Mantenete l'alimentazione al ricevitore 2 su OFF (spento). (Ogni ventilatore da soffitto deve avere il suo proprio interruttore isolante, così che solo il ventilatore da soffitto che deve essere accoppiato al trasmettitore sarà acceso (ON).
- Tenete premuto il tasto "⏻" sul **trasmettitore 1** per 5 secondi entro 30 secondi dall'aver acceso l'alimentazione al ricevitore del ventilatore da soffitto 1.
- Una volta che il trasmettitore è accoppiato con il ricevitore del ventilatore da soffitto 1, emetterà un doppio bip. Accendete/spegnete, o cambiate la velocità de, il ventilatore da soffitto 1 usando il trasmettitore per controllarne il funzionamento.



Impostazione ventilatore da soffitto a corrente continua 2:

- Spegnete entrambi i ventilatori da soffitto 1 e 2 tramite l'alimentazione elettrica principale al ricevitore.
- Fate scivolare il coperchio del comparto batterie del trasmettitore per accedere ai commutatori DIP. Questo sarà il trasmettitore 2.
- Cambiate la posizione dei commutatori DIP nel telecomando 2, in modo che sia diversa da quella del trasmettitore 1. Figura 11
- Installate la batteria CC da 12V nel comparto. Assicuratevi che la polarità della batteria sia corretta.
- Aprite l'alimentazione al ricevitore 2 (ON). Mantenete l'alimentazione al ricevitore 1 su OFF (spento). (Ogni ventilatore da soffitto deve avere il suo proprio interruttore isolante, così che solo il ventilatore da soffitto che deve essere accoppiato al trasmettitore sarà acceso (ON).
- Tenere premuto il tasto "⏻" sul **trasmettitore 2** per 5 secondi entro 30 secondi dall'aver acceso l'alimentazione al ricevitore del ventilatore da soffitto 2.
- Una volta che il trasmettitore è accoppiato con il ricevitore del ventilatore da soffitto 2, emetterà un doppio bip. Accendete/spegnete, o cambiate la velocità de, il ventilatore da soffitto 2 usando il trasmettitore per controllarne il funzionamento.

Nota: L'accoppiamento del Trasmettitore e Ricevitore non è richiesto se viene installato un solo ventilatore da soffitto. Quando più di due ventilatori da soffitto sono installati l'uno vicino all'altro, fate riferimento alle istruzioni precedenti.

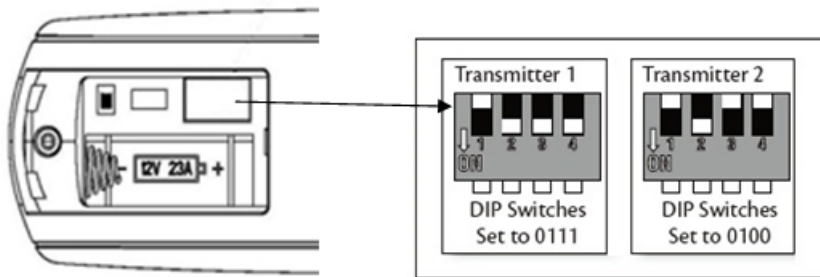


Fig. 11

Tasti telecomando

⏻ : TASTO ACCESO/SPENTO VENTILATORE: Premete il tasto per accendere/spengere il ventilatore.

+ : TASTO AUMENTO VELOCITÀ: Premete il tasto per aumentare la velocità del ventilatore. La spia LED indicherà la velocità del ventilatore (da 1 a 6 velocità) secondo il caso.

- : TASTO DIMINUZIONE VELOCITÀ: Premete il tasto per diminuire la velocità del ventilatore. La spia LED indicherà la velocità del ventilatore (da 1 a 6 velocità) secondo il caso.

↻ : TASTO FUNZIONE INVERSIONE ROTAZIONE: Premete il tasto per attivare la funzione di inversione rotazione. Il ventilatore deve essere in funzione per attivare la funzione d'inversione della rotazione.

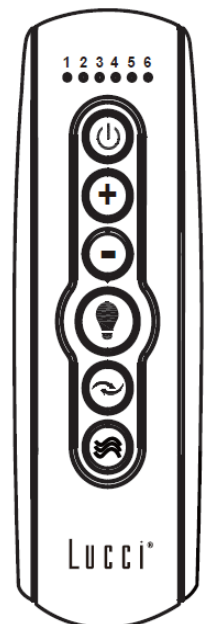





Fig. 12



 : TASTO FLUSSO NATURALE: Premete il tasto per impostare il ventilatore in modo che cambi automaticamente la velocità. Se il ventilatore funziona alle velocità 1, 2, 3, premete questo tasto per lasciar girare il ventilatore ad una velocità variabile più bassa. Se il ventilatore funziona alle velocità 4, 5, 6, premete questo tasto per lasciar girare il ventilatore ad una velocità variabile più alta.

 : TASTO CONTROLLO LUCE: Premete il tasto per accendere/spegnere la luce.

Quando si preme il tasto remoto, la spia LED 1 () sarà accesa. Se la spia LED 1 è spenta, allora dovete sostituire la batteria con una nuova batteria a corrente continua da 12V.

Quando premete il tasto remoto, se il ricevitore riceve il segnale bene, emetterà un bip.


RIPARAZIONE DEL RICEVITORE DEL VENTILATORE ED ACCOPPIAMENTO DEL TELECOMANDO

Se il telecomando ed il ricevitore perdono controllo dopo l'installazione o durante l'uso, l'accoppiamento del telecomando e del ricevitore deve essere riparato. Di seguito vi sono i sintomi operativi ed il metodo per riparare l'accoppiamento del telecomando e del ricevitore del ventilatore da soffitto a corrente continua.

Problemi:

- Perdita di controllo – il ventilatore funziona solo ad alta velocità dopo l'installazione
- Perdita di controllo – nessuna funzione d'inversione rotazione dopo l'installazione
- Perdita di controllo – il telecomando non riesce a comunicare con il ricevitore

Soluzione:

- Spegnete l'alimentazione principale al ventilatore a soffitto.
- Tenete premuto il tasto  sul **trasmettitore** per 5 secondi entro 30 secondi dall'aver acceso l'alimentazione al ricevitore del ventilatore da soffitto.
- Una volta che il trasmettitore è accoppiato con il ricevitore del ventilatore da soffitto, emetterà un doppio bip. Accendete/spegnete, o cambiate la velocità de, il ventilatore da soffitto usando il trasmettitore per controllarne il funzionamento.

DOPO L'INSTALLAZIONE

OSCILLAZIONE:

Nota: I ventilatori a soffitto tendono a muoversi durante il funzionamento a causa del fatto che sono montati su un anello di gomma. Se il ventilatore fosse montato in modo rigido al soffitto questo causerebbe una vibrazione eccessiva. Un movimento di alcuni centimetri è alquanto accettabile e non indica alcun problema.

PER RIDURRE L'OSCILLAZIONE DEL VENTILATORE: Vogliate controllare che tutte le viti che fissano la staffa di montaggio e l'asta discendente siano ben strette.

KIT DI BILANCIAMENTO: Viene fornito un kit di bilanciamento per equilibrare il ventilatore a soffitto all'atto dell'installazione iniziale. Vogliate far riferimento alle istruzioni su come usare il kit di bilanciamento. Il kit di bilanciamento può essere usato per aiutare il ribilanciamento se il ventilatore a soffitto dovesse andare di nuovo fuori bilanciamento. Conservate il vostro kit di bilanciamento dopo l'installazione per uso futuro, se necessario.



RUMORE:

Quando vi è silenzio (specialmente di notte) potreste udire occasionalmente dei piccoli rumori. Leggere fluttuazioni di corrente e segnali di frequenza superimposti nell'elettricità per il controllo dell'acqua calda fuori picco, possono causare un cambiamento nel rumore del motore del ventilatore.

Ciò è normale. Vogliate attendere un periodo di 24 ore di "assestamento"; la maggior parte dei rumori associati ad un nuovo ventilatore spariscono durante questo periodo di tempo. Ciò è normale. Vogliate attendere un periodo di 24 ore di "assestamento"; la maggior parte dei rumori associati ad un nuovo ventilatore spariscono durante questo periodo di tempo.

La garanzia del produttore copre guasti effettivi che possono svilupparsi e NON reclami minori quali l'udire il funzionamento del motore – Tutti i motori elettrici sono udibili in qualche misura.

CURA E PULIZIA

- La pulizia periodica del vostro ventilatore a soffitto è la sola manutenzione richiesta. Usate una spazzola soffice od un panno non peloso per evitare di graffiare la finitura a vernice. Vogliate scollegare l'alimentazione elettrica quando lo fate.
- Non usate acqua quando pulite il vostro ventilatore a soffitto. Ciò potrebbe danneggiare il motore o le pale e creare la possibilità di una scossa elettrica.
- Il motore ha un cuscinetto a sfera lubrificato in modo permanente. Non vi è alcun necessità di oliare.

NOTA: Spegnete sempre l'alimentazione all'interruttore di rete prima di tentare di pulire il vostro ventilatore.

INFORMAZIONI TECNICHE

Modelli VENTILATORI A CORRENTE CONTINUA AIRFUSION AKMANI	Tensione nominale	Alimentazione nominale (motore)	Batteria per telecomando
solo per pale da 60"	220-240V CA	36W	1 x 12V 23AE

INFORMAZIONI SULLA GARANZIA

IN AUSTRALIA / NUOVA ZELANDA – Vogliate far riferimento alla separata DICHIARAZIONE DI GARANZIA.

IN EUROPA – Se siete un cliente europeo vogliate contattare il dettagliante dove è stata comprato il ventilatore per la manutenzione in garanzia.



NL

GEFELICITEERD MET UW AANKOOP

Gefeliciteerd met de aankoop van de nieuwste generatie energiezuinige plafondventilatoren. Deze ventilator draait op DC (gelijkstroom), wat hem het voordeel geeft super energiezuinig te zijn, met behoud van een hoog volume aan luchtbewegingen en fluisterstille werking.

Energiebesparing - De DC-motor is de nieuwste technologie in ventilatorontwerp. De uiterst efficiënte motor bespaart tot 65% meer energie dan bij plafondventilatoren met traditionele AC-motoren.

Fluisterstille werking - deze DC-ventilatormotor is geprogrammeerd met een gestabiliseerde stroom die het motorgeluid efficiënt reduceert.


Geringe opwarming tijdens werking - De gelijkstroom wordt effectief beheerd waardoor de temperatuur van de motor slechts oploopt tot minder dan 50 graden. Dit resulteert in een veel koelere motor dan bij een standaard AC-ventilator en verhoogt de levensduur van de motor.

Afstandsbediening voor zes snelheden, AC-plafondventilatoren beschikken meestal over slechts 3 snelheden, deze DC-ventilator wordt compleet geleverd met een afstandsbediening voor 6 snelheden, welke een grotere keuze van comfort geven.

VEILIGHEIDSVOORSCHRIFTEN

- 1) Europa: Dit apparaat kan worden gebruikt door kinderen van 8 jaar en ouder en personen met verminderde lichamelijke, zintuiglijke of verstandelijke vermogens of gebrek aan ervaring en kennis, indien zij onder toezicht staan of, op een veilige manier, worden geïnstrueerd over het gebruik van het apparaat en de mogelijke gevaren begrijpen. Schoonmaak en onderhoudswerkzaamheden mogen niet door kinderen worden uitgevoerd zonder toezicht.
- 2) Australië: Dit apparaat is niet bedoeld voor gebruik door jonge kinderen of zwakke personen, tenzij zij op adequate wijze onder toezicht zijn van een verantwoordelijk persoon om ervoor te zorgen dat ze het toestel veilig kunnen gebruiken.
- 3) Kinderen moeten onder toezicht staan om ervoor te zorgen dat ze niet met het apparaat spelen.
- 4) Een meerpolige schakelaar (om het apparaat uit te schakelen) moet in de vaste bedrading worden opgenomen in overeenstemming met de bedradingsregels.



- 5)  Gooi elektrische apparaten niet als ongesorteerd afval weg, gebruik hiervoor de gescheiden inzamelingsfaciliteiten. Neem contact op met uw lokale overheid voor informatie over de mogelijke inzamelsystemen. Indien elektrische apparaten achtergelaten worden op stortplaatsen, kunnen gevaarlijke stoffen in het grondwater lekken en in de voedselketen terechtkomen, met gevaar voor uw gezondheid en welzijn.
- 6) De structuur waaraan de ventilator gemonteerd wordt, moet geschikt zijn voor een gewicht van 40 kg.
- 7) De ventilator moet zo worden gemonteerd dat de ventilatorbladen zich minstens **2,3** meter boven de grond bevinden (voor Europa).
- 8) De ventilator moet zo worden gemonteerd dat de ventilatorbladen zich minstens **2,1** meter boven de grond bevinden (voor Australië).
- 9) Deze ventilator is enkel geschikt voor gebruik binnenshuis. Montage van de ventilator in een situatie waarin deze in contact kan komen met water of vocht is gevaarlijk.
- 10) Installatie mag enkel gebeuren door een erkend installateur.



VOOR DE INSTALLATIE

Pak de ventilator uit en controleer de inhoud. U moet de volgende onderdelen hebben:

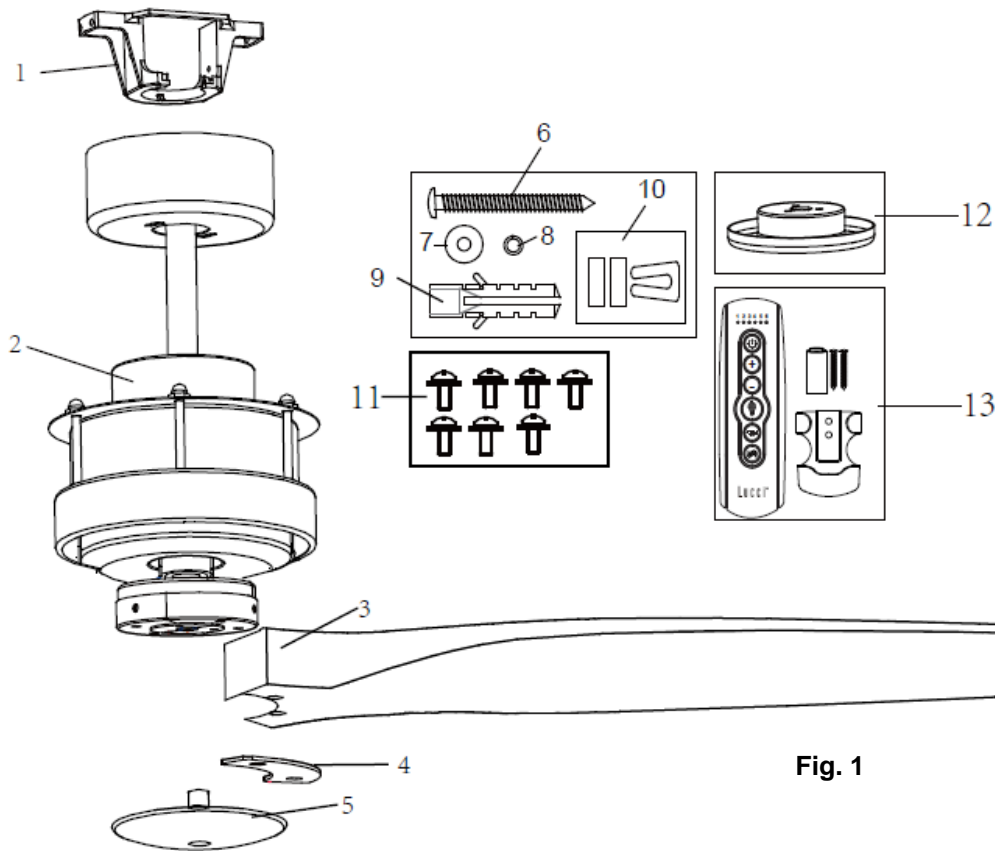


Fig. 1

- | | |
|---|--|
| 1. Montagebeugel x 1 | 7. Sluiteringen x 2 |
| 2. Motorunit met cover, voor de hanger, neerwaartse staaf, cover voor de overkapping en de overkapping zelf x 1 | 8. Veerringen x 2 |
| 3. Ventilatorbladen x 3 | 9. Muurpluggen voor schroeven x 2 |
| 4. Ventilatorbladen kits x 3 | 10. Balans kits x 1 set |
| 5. Cover onderkant x 1 | 11. Motorschroeven voor ventilatorbladen x 7 |
| 6. Houtschroeven x 2 | 12. Licht kit adapter x 1 |
| | 13. Afstandsbediening x 1 set |



INSTALLATIE VAN DE VENTILATOR

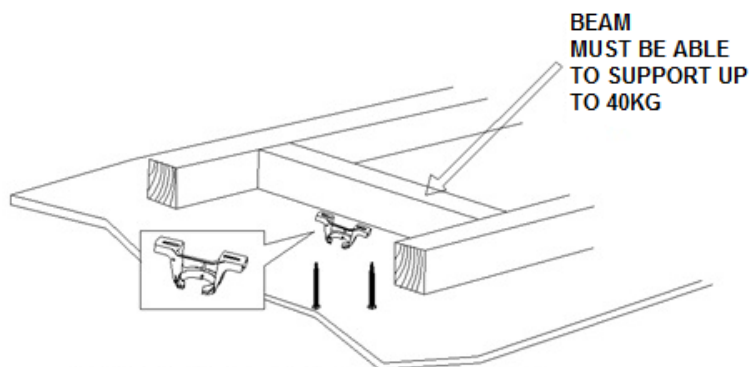
BENODIGD GEREEDSCHAP:

- Phillips / platte schroevendraaier
- Tang
- Verstelbare sleutel
- Ladder
- Kniptang
- Bedrading, voedingskabel zoals vereist door de lokale provinciale en nationale bedravingscodes en -regels.

INSTALLATIE VAN DE MONTAGEBEUGEL

De plafondventilator moet zo geïnstalleerd worden dat de top van de ventilatorbladen 300mm verwijderd is van het dichtsbijzijnde object of muur.

Bevestig de montagebeugel met de twee voorziene lange schroeven, aan een plafondbalk of een structuur die in staat is een last van 40kg te dragen. Zorg ervoor dat tenminste 30mm van de schroefdraad in de ondersteuning verdwijnt.



NOTE: THIS PICTURE IS FOR REPRESENTATION ONLY AND DOES NOT REPRESENT THE ACTUAL BRACKET.

Fig. 2

OPMERKING: De bijgeleverde beugelschroeven zijn enkel geschikt voor houten structuren. Voor andere structuren MOETEN de geschikte schroeven gebruikt worden.

INSTALLATIE SCHUINE STAND

Dit plafond ophangstelsel is geschikt voor een schuine installatie tot maximaal 15 graden.

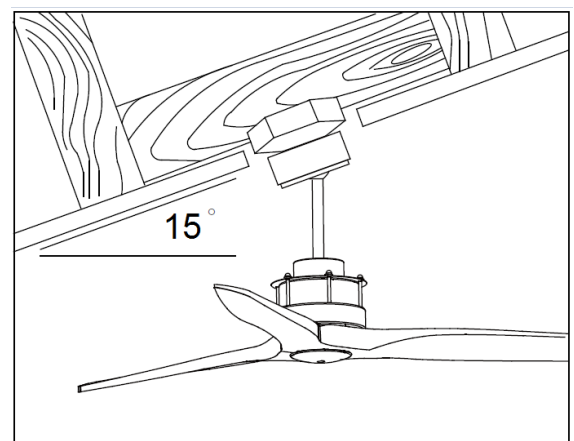


Fig. 3



OPHANGEN VAN DE MOTORUNIT

- Plaats de motorunit op de montagebeugel. Fig. 4
- Zorg ervoor dat inkeping van het kogelgewricht op de stop van de montagebeugel gepositioneerd is, om te voorkomen dat de ventilator begint te draaien. Fig. 5

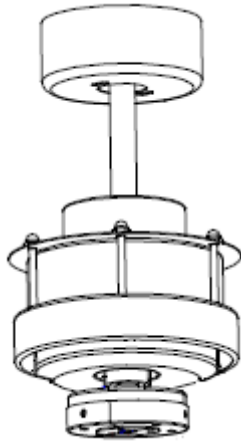


Fig. 4

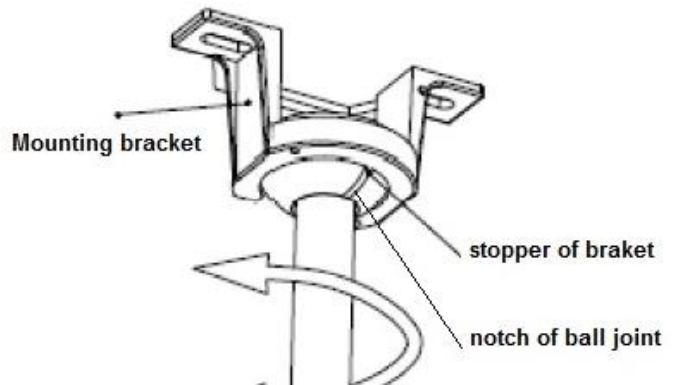


Fig. 5

VOORBEREIDING EN AFWERKING VAN DE ELEKTRISCHE BEDRADING --- BEDRADINGSSCHEMA (FIG. 6)

WAARSCHUWING: VOOR UW VEILIGHEID MOETEN ALLE ELEKTRISCHE AANSLUITINGEN DOOR EEN ERKENDE ELLEKTRICIEN WORDEN UITEGEVOERD.

OPGELET: EEN EXTRA MEERPOLIGE SCHAKELAAR MOET OPGENOMEN WORDEN IN DE VASTE BEDRADING. ZORG ERVOOR DAT DE HOOFDSCHAKELAAR UITGESCHAKELD IS VOORALEER AAN TE SLUITEN.

OPMERKING: ALS ER TWEE OF MEER DC-PLAFONDVENTILATOREN GEÏNSTALLEERD ZIJN IN ÉÉN LOCATIE, IS ER EEN APARTE WERKSCHAKELAAR NODIG VOOR ELKE VENTILATOR. DIT IS NOODZAKELIJK WANNEER DE AFSTANDSBEDIENING EN DE ONTVANGER GEKOPPELD WORDEN.

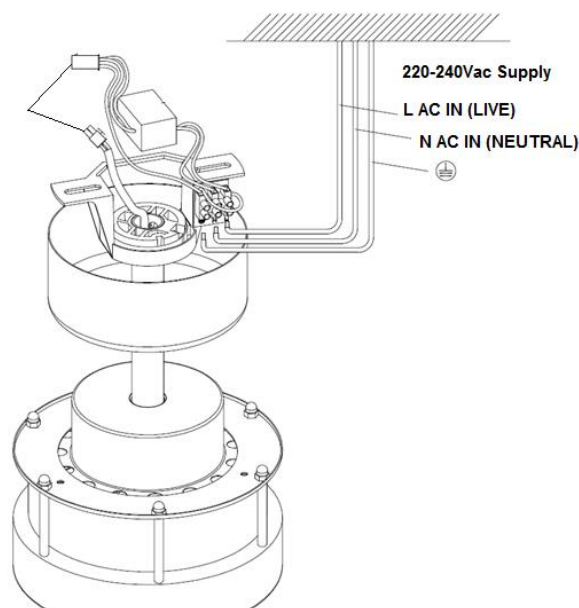


Fig. 6



INSTALLATIE VAN DE COVER VOOR DE OVERKAPPING

- Draai de 2 schroeven aan de onderkant van de montagebeugel los. Fig. 7
- Schuif de overkapping tot aan de bevestigingsbeugel en plaats het sleutelgat op de overkapping over de schroef op de montagebeugel, draai de overkapping totdat deze vastklikt op het smalle gedeelte van de sleutelgaten en draai deze vast met de twee stes schroeven. Voorkom schade aan de eerder voorbereide elektrische bedrading.

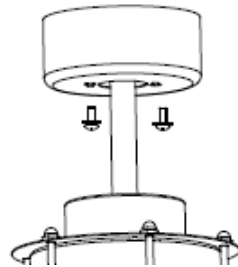


Fig. 7

INSTALLATIE VAN DE VENTILATORBLADEN

- Steek de schroeven van de ventilatorbladen door de ventilatorbladenkit en bevestig vervolgens het ventilatorblad aan de motor door de 2 schroeven vast te draaien. Fig.8
- Herhaal dit proces om de overige ventilatorbladen op de motor te installeren.
- Tot slot installeert u de cover aan de onderkant van deze licht kit behuizing door deze met de klok mee te draaien. Fig. 9

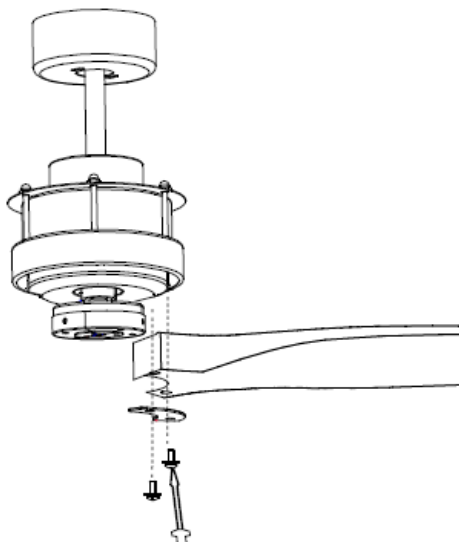


Fig. 8

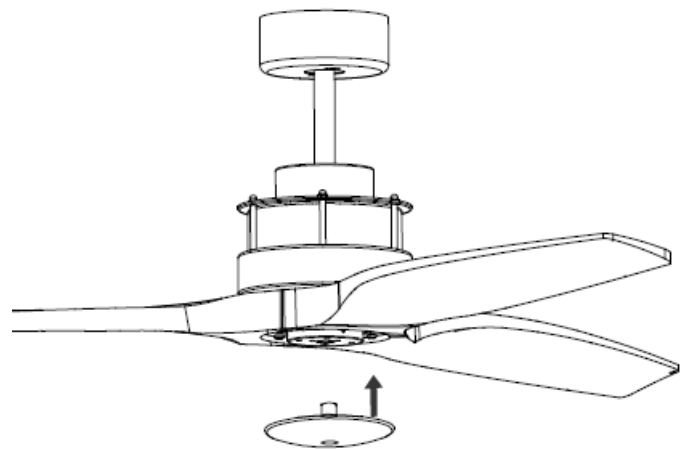


Fig. 9

LICHT KIT INSTALLATIE: (Optioneel, licht kit niet inbegrepen)

Vooraleer de licht kit aan de ventilator te installeren, moet u het volgende doen:

- De cover aan de onderkant niet installeren.
- De adapter voor de cover aan de onderkant (2) van de licht kit behuizing (1) verwijderen door de 3 schroeven los te draaien (3). Fig.10
- Bevestig de licht kit adapter (4) aan de licht kit behuizing (1) met behulp van de 3 schroeven (3). Fig.10
- Bevestig de licht kit aan de licht kit adapter met behulp van de licht kit installatiehandleiding.



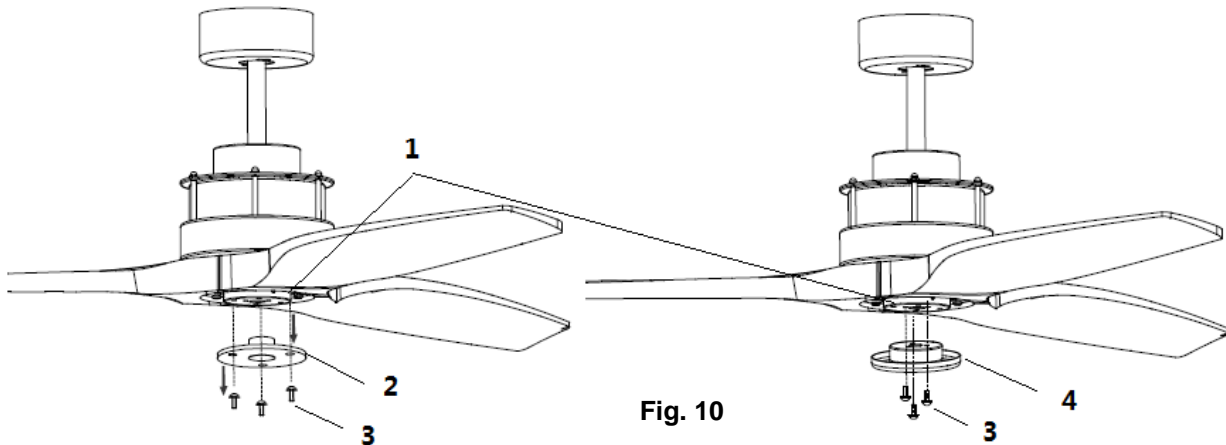


Fig. 10

GBRUIK VAN UW PLAFONDVENTILATOR

Koppelen van zender en ontvanger – wanneer er meerdere DC-plafondventilatoren geïnstalleerd zijn in éénzelfde locatie


Wanneer twee of meer ventilatoren zich in de buurt van elkaar bevinden, kunt u de ontvanger/zender voor elke ventilator op een andere code instellen, zodat de werking van de ene ventilator geen invloed heeft op de werking van de andere ventilator/s.

De DIP-schakelaars voor de zender (afstandsbediening) bevinden zich in het batterijcompartiment van de zender. Configuratie van de DIP-switches zal een unieke transmissiecode toewijzen aan elke plafondventilator.

OPMERKING: Zorg ervoor dat u een meerpolige schakelaar in de vaste bedrading hebt geïnstalleerd, voor elke ventilator, bij gebruik van de DIP-code functie.

OPMERKING: Zorg ervoor dat de receiver is **INGESCHAKELD** vooraleer de zender met de ontvanger te koppelen.


Koppelen van zender/ontvanger voor plafondventilator 1:

- Schakel beide plafondventilatoren 1 en 2 uit via het stroomnet van de ontvanger.
- Schuif de cover van het batterijcompartiment van de zender om toegang te krijgen tot de DIP-schakelaars. Dit wordt zender 1.
- Verander de stand van de DIP-schakelaars in de afstandsbediening van zender 1, zodat deze verschilt van die van zender 2. Fig. 11
- Installeer de 12VDC batterij in het compartiment. Zorg ervoor dat de polariteit van de batterij correct is.
- Schakel de voeding van ontvanger 1 in. Houd ontvanger 2 uitgeschakeld. (Elke plafondventilator moet zijn eigen werkschakelaar hebben, zodat alleen de plafondventilator die moet worden gekoppeld aan de zender INGESCHAKELD is).
- Hou de “” knop op **zender 1** ingedrukt gedurende 5 seconden binnen 30 seconden na het inschakelen van de stroom naar de ontvanger van plafondventilator 1.



- Zodra de zender gekoppeld is met de ontvanger van plafondventilator 1, zal twee keer een pieptoon weerklinken. Schakel AAN/UIT of wijzig de snelheid van de plafondventilator 1 via de zender om de werking te controleren.

Installeren van DC-plafondventilator 2:

- Schakel beide plafondventilatoren 1 en 2 uit via het stroomnet van de ontvanger.
- Schuif de cover van het batterijcompartiment van de zender om toegang te krijgen tot de DIP-schakelaars. Dit wordt zender 2.
- Verander de stand van de DIP-schakelaars in de afstandsbediening van zender 2, zodat deze verschilt van die van zender 1. Fig. 11
- Installeer de 12VDC batterij in het compartiment. Zorg ervoor dat de polariteit van de batterij correct is.
- Schakel de voeding van ontvanger 2 in. Houd ontvanger 1 uitgeschakeld. (Elke plafondventilator moet zijn eigen werkschakelaar hebben, zodat alleen de plafondventilator die moet worden gekoppeld aan de zender INGESCHAKELD is).
- Hou de “” knop op **zender 2** ingedrukt gedurende 5 seconden binnen 30 seconden na het inschakelen van de stroom naar de ontvanger van plafondventilator 2.
- Zodra de zender gekoppeld is met de ontvanger van plafondventilator 1, zal twee keer een pieptoon weerklinken. Schakel AAN/UIT of wijzig de snelheid van de plafondventilator 1 via de zender om de werking te controleren.

Opmerking: De koppeling van de zender en de ontvanger is niet nodig als er slechts een plafondventilator geïnstalleerd is. Bij installatie van meer dan twee plafondventilatoren in de buurt van elkaar, verwijzen wij u naar de instructies hierboven.

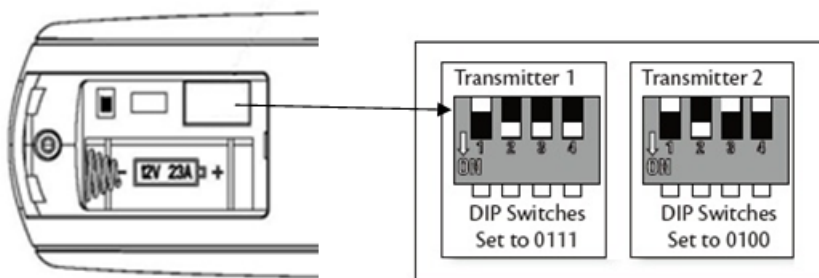



Fig. 11

Knoppen op de afstandsbediening

 : VENTILATOR AAN/UIT KNOP: Druk op de knop om de ventilator aan/uit te zetten.

 : HOGERE SNELHEID KNOP: Druk op de knop om de ventilator sneller te laten draaien. De LED-indicator zal de snelheid (1-6) overeenkomstig weergeven.

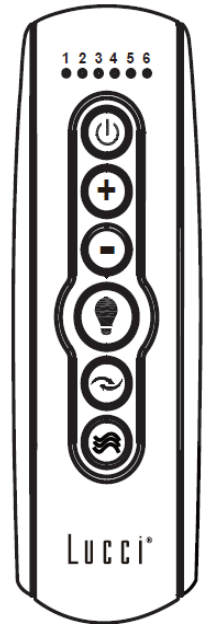
■ : LAGERE SNELHEID KNOP: Druk op de knop om de ventilator trager te laten draaien. De LED-indicator zal de snelheid (1-6) overeenkomstig weergeven.

↻ : OMKEERFUNCTIE KNOP: Druk op de knop om de omkeerfunctie te activeren. De ventilator moet werken om deze functie te kunnen activeren.

⋈ : NATUURLIJKE STROOM KNOP: Druk op de knop om de ventilator automatisch van snelheid te laten veranderen. Wanneer de ventilator werkt op snelheid 1, 2, 3, druk dan op deze knop om de ventilator op een lagere veranderlijke snelheid te laten draaien. Wanneer de ventilator werkt op snelheid 4, 5, 6, druk dan op deze knop om de ventilator op een hogere veranderlijke snelheid te laten draaien.

💡 : LICHT CONTROLE KNOP: Druk op de knop om het licht aan en uit te doen.

Fig. 12



Bij het indrukken van de knop van de afstandsbediening, zal de LED-indicator 1 (1) oplichten. Als de LED-indicator 1 niet oplicht, dan moet de batterij vervangen worden door een nieuwe 12VDC batterij.

Indien de ontvanger het signaal, bij het indrukken van de knop op de afstandsbediening, goed ontvangt, zal een pieptoon weerklinken.

HERSTELLEN VAN DE KOPPELING VAN DE ONTVANGER EN DE AFSTANDSBEDIENING VAN DE VENTILATOR

Indien de afstandsbediening en de ontvanger de koppeling verliezen na installatie of tijdens gebruik, moet de koppeling van de afstandsbediening en de ontvanger worden gerepareerd. Hieronder zijn de mogelijke problemen en de methode om de koppeling van de afstandsbediening van de DC-plafondventilator en de ontvanger te herstellen.

Problemen:

- Verlies van controle - Ventilator draait alleen op hoge snelheid na installatie
- Verlies van controle - Geen omkeerfunctie na installatie
- Verlies van controle - De afstandsbediening kan niet communiceren met de ontvanger

Oplossing:

- Schakel de hoofdschakelaar van de plafondventilator uit.
- Houd de "⏻" knop op de **zender** gedurende 5 seconden binnen 30 seconden na het inschakelen van de stroom naar de ontvanger van de plafondventilator.
- Zodra de zender gekoppeld is met de ontvanger van de plafondventilator, zal twee keer een pieptoon weerklinken. Schakel AAN/UIT of wijzig de snelheid van de plafondventilator via de zender om de werking te controleren.



NA INSTALLATIE

BEWEGING:

Opmerking: plafondventilatoren hebben de neiging te bewegen wanneer ze in werking zijn doordat ze op een rubberen pakkingsring gemonteerd zijn. Wanneer de ventilator vast aan het plafond zou gemonteerd zijn, zou dit overmatige trillingen veroorzaken. Beweging van enkele centimeters is aanvaardbaar en vormt geen probleem.

OM BEWEGING TE VERMINDEREN: Controleer of alle schroeven voor de montagebeugel en de neerwaartse staaf stevig bevestigd zijn.

BALANS KIT: Een balans kit wordt meegeleverd om de plafondventilator tijdens de initiële installatie in evenwicht te brengen. Lees eerst de instructies aangaande het gebruik van de balans kit. De balans kit kan gebruikt worden om het evenwicht van de plafondventilator, indien nodig, te herstellen. Bewaar de balans kit na de installatie voor later gebruik, indien nodig.

LAWAAI:

Wanneer het stil is (vooral's nachts) kunt u af en toe kleine geluiden horen. Lichte schommelingen in de spanning en frequentiesignalen bovenop de elektriciteit voor warm watercontrole in de daluren, kunnen een verandering veroorzaken in het geluid van de motor van de plafondventilator. Dit is normaal. Houd rekening met een 24-uurs "aanpassings"periode, de meeste geluiden geassocieerd met een nieuwe ventilator verdwijnen binnen deze tijd.

De fabrieksgarantie dekt feitelijke fouten die zich kunnen voordoen maar NIET kleine klachten, zoals het horen van de motor - Alle elektromotoren zijn hoorbaar tot op zekere hoogte.

ONDERHOUD & REINIGING

- Periodieke reiniging an uw plafondventilator is het enige vereiste onderhoud. Gebruik een zachte borstel of pluivrije doek om krassen te voorkomen. Schakel de stroom uit tijdens het reinigen.
- Gebruik geen water bij het schoonmaken van de plafondventilator. Dit kan de motor en de ventilatorbladen beschadigen en creëert de mogelijkheid op een elektrische schok.
- De motor heeft permanent gesmeerde kogellagers. Olie toevoegen is niet nodig.

OPMERKING: Schakel de stroom altijd uit vooraleer uw ventilator te reinigen.

TECHNISCHE INFORMATIE

AIRFUSION AKMANI SERIES DC ventilatormodellen	Nominale spanning	Nominaal vermogen (motor)	Batterij voor afstandsbediening
Enkel 60" ventilatorbladen	220-240VAC	36W	1 x 12V 23AE

GARANTIE-INFORMATIE

IN AUSTRALIË / NIEUW ZEELAND – Hiervoor verwijzen wij u naar de aparte GARANTIE-INFORMATIE.

IN EUROPA – Als u een Europese klant bent, kunt u, voor garantie, contact opnemen met het verkooppunt waar de ventilator werd aangekocht.

