

FANAWAY ORBIT DC CEILING FAN

- **INSTALLATION**
- **OPERATION**
- **MAINTENANCE**
- **WARRANTY INFORMATION**

CAUTION

**READ INSTRUCTIONS CAREFULLY FOR SAFE
INSTALLATION AND FAN OPERATION.**

CONTENTS

GB	Installation instruction manual
D	Installationsanleitung
F	Guide d'installation.....
E	Manual de instrucciones de instalación.....
I	Manuale delle istruzioni di installazione.....
NL	Installatiehandleiding.....
EL	Εγχειρίδιο οδηγιών εγκατάστασης

Contact:

Beacon International Ltd

Hong Kong Head Office: Room 05, 18/F, Kimberland Center, 55 Wing Hong Street, Cheung Sha Wan Kowloon, Hong Kong

Tel +852 34915904 Fax +852 34915917

China showroom / Office: 11/FI, Guzhen Lighting Building B, Mid Zhongxing Road, Guzhen, Zhongshan, GuangDong, China.

Tel: +86 760 8986 6388 Fax: +86 760 8986 6380

info@beaconinternational.com

www.beaconinternational.com

Beacon Lighting Europe GmbH

Campus Fichtenhain 42, 47807 Krefeld, Germany

TEL +49 (2151) 325 82 39 FAX +49 (2151) 325 70 65



GB**THANK YOU FOR PURCHASING**

Thank you for purchasing the latest in energy saving ceiling fans. This fan runs on DC (direct current) power which gives it the benefit of being super energy efficient whilst still maintaining high volume air-movement and silent operation.

Energy saving - The DC motor is the latest technology in fan design. Its highly efficient motor saves up to 65% more energy than ceiling fans with traditional AC motors.

Silent operation – This DC fan motor is programmed with a stabilised current which efficiently reduces motor noise.


Low operating temperature – The DC power is managed effectively which brings down the motor operating temperature to less than 50°C. This results in a much cooler motor than a standard AC fan and increases the longevity of the motor.

6 speed remote control - Regular AC ceiling fans usually come with only 3 speeds, this DC fan comes complete with a 6 speed remote, which gives a greater choice of comfort levels.

SAFETY PRECAUTIONS

1. This appliance can be used by children aged from 8 years and above and persons with reduced physical, sensory or mental capabilities or lack of experience and knowledge if they have been given supervision or instruction concerning the use of the appliance in a safe way and understand the hazards involved. Cleaning and maintenance shall not be undertaken by children without supervision.
2. Children should be supervised to ensure that they do not play with the appliance.
3. An all-pole disconnection switch must be incorporated into the fixed wiring, in accordance with local wiring rules.



4.  Do not dispose of electrical appliances as unsorted municipal waste, use separate collection facilities. Contact your local government for information regarding the collection systems available. If electrical appliances are disposed of in landfills or dumps, hazardous substances can leak into the ground water and get into the food chain, damaging your health and well-being.
5. The structure to which the fan is to be mounted must be capable of supporting a weight of 32 kg.
6. The fan should be mounted so that the blades are at least 2.3 m above the floor .
7. This fan is suitable for indoor and alfresco areas where the fan is fully undercover with a minimum of 2 walls. This fan is not waterproof. When installed in an alfresco area, the ceiling fan must be positioned in a location protected from water, wind, dust and salt. Exposure to these elements will void the warranty. Mounting the fan in a situation where it is subject to water or moisture is dangerous and may increase the risk of damage, injury or electrical shock.



8. **WARNING:** If unusual wobbling or oscillating movement is observed, immediately stop using the ceiling fan and contact the manufacturer, its service agent or suitably qualified persons.
9. The replacement of parts of the safety suspension system device shall be performed by the manufacturer, its service agent or suitably qualified persons.
10. The fixing means for attachment to the ceiling such as hooks or other devices shall be fixed with a sufficient strength to withstand 4 times the weight of the ceiling fan; that the mounting of the suspension system shall be performed by the manufacturer, its service agent or suitably qualified persons.
11. The light source contained in the luminaire is non-user replacable. It shall only be replaced by the manufacturer or his service agent or similar qualified person. The shade of the Light kit assembly **MUST NOT** be removed during cleaning, maintenance or any other circumstances.



PARTS LIST

- Unpack your ceiling fan carefully. Remove all parts and hardware.
- Lay out all the components on a smooth surface and make sure there are no components missing before assembling. If parts are missing, return the complete product to the place of purchase for inspection or replacement.
- Check whether the ceiling fan has been damaged during transport. Do not operate/install any product which appears damaged in any way. Return the complete product to the place of purchase for inspection, repair or replacement.
- Examine all parts, you should have the following:

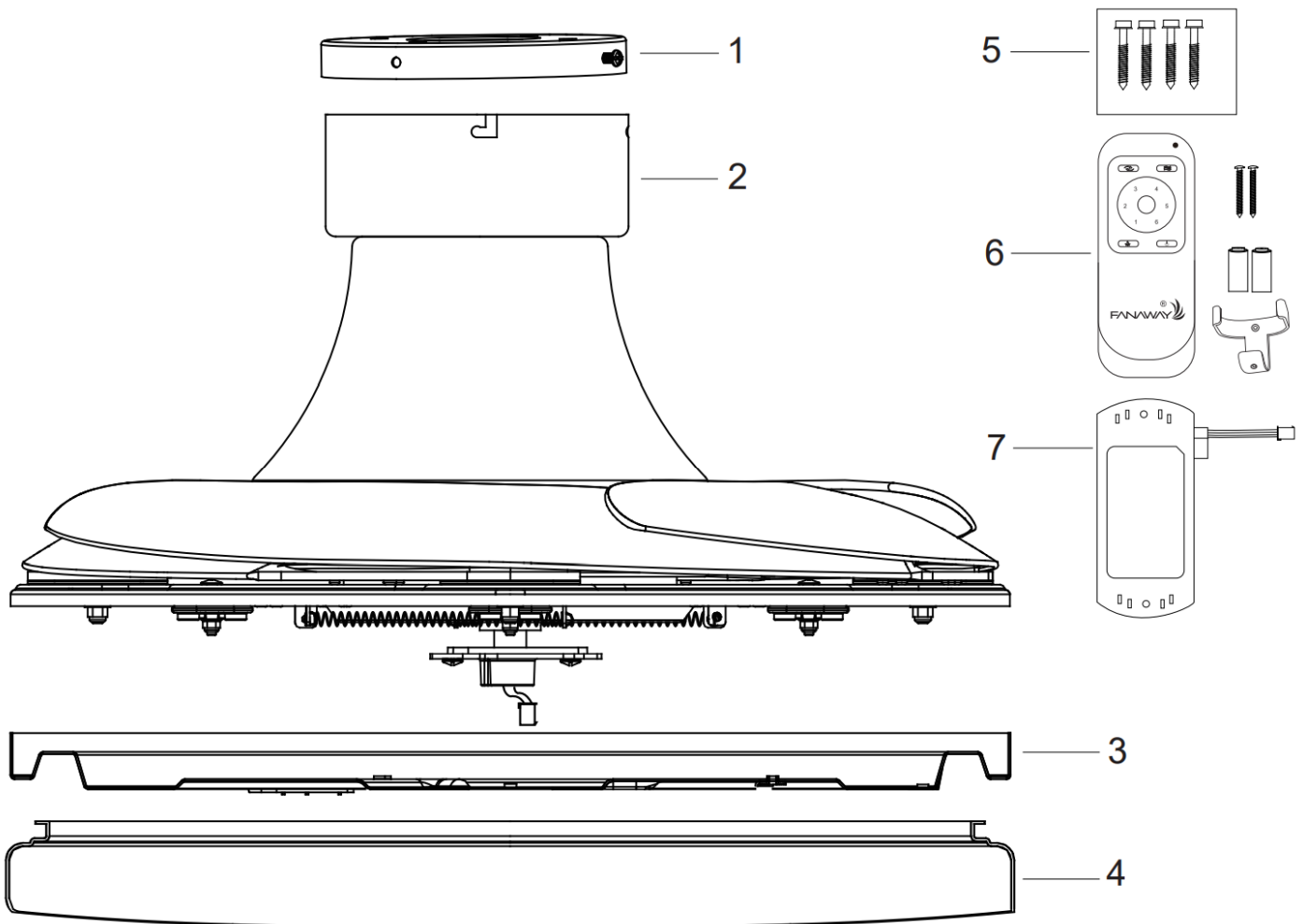


Fig. 1

1	Mounting bracket x 1	5	Mounting screws x 4 pcs
2	Fan assembly x 1	6	Remote set x 1 set
3	Light kit plate x 1	7	Receiver x 1 set
4	Light kit assembly with LED and shade x 1		



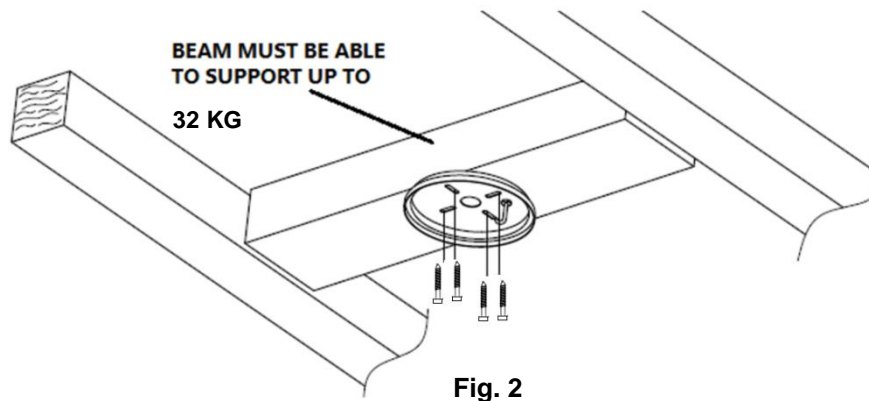
INSTALLING THE FAN

TOOLS REQUIRED:

- Phillips / flat head screwdriver
- Pair of pliers
- Adjustable spanner
- Step ladder
- Wire cutter
- Wiring, supply cable as required by local provincial and national wiring codes and regulations

INSTALLING THE MOUNTING BRACKET

- The ceiling fan must be installed in a location so that the blades are spaced 300mm from the tip of the blade to the nearest objects or walls.
- Install the hanging bracket to the ceiling joist or structure that is capable of carrying a load of at least 32kg, with the 4 long screws provided. Ensure at least 30mm of the screw is threaded into the support. (Fig. 2)



NOTE: The bracket screws provided are for use with wooden structures only. For structures other than wood, the appropriate screw type **MUST** be used. Ensure the screws used are suitable for the mounting surface and the surrounding environment.

ANGLED CEILING INSTALLATION

The hanging system of this fan is **ONLY** suitable for flat ceiling installation.

DO NOT install the fan on an angled ceiling.



HANGING THE FAN ASSEMBLY

- Lift the fan assembly (1) up to the mounting bracket. Hang the fan assembly onto the J-hook (2) of the mounting bracket. (Fig.3)

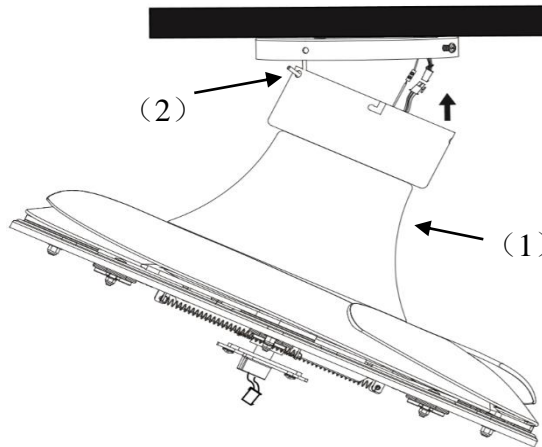


Fig. 3

- Complete the electrical wiring according to the ‘ELECTRICAL WIRING DIAGRAM’ section below.

PREPARE AND COMPLETE THE ELECTRICAL WIRING --- WIRING DIAGRAM (FIG. 4)

NOTE: AN ADDITIONAL ALL POLE DISCONNECTION SWITCH MUST BE INCLUDED IN THE FIXED WIRING.

NOTE: IF THERE ARE TWO OR MORE DC CEILING FANS INSTALLED IN THE ONE LOCATION, AN ISOLATION SWITCH IS REQUIRED FOR EACH CEILING FAN. THIS IS REQUIRED WHEN PROGRAMMING THE REMOTE AND RECEIVER TO PAIR TOGETHER.

From mains supply to mounting bracket terminal block: (Fig. 4)

1. Connect the live supply wire to the “L” terminal of the terminal block on the mounting bracket.
2. Connect the neutral supply wire to “N” terminal of the terminal block on the mounting bracket.
3. Connect earth wire to the earth terminal of the terminal block on the mounting bracket.

From mounting bracket to receiver and motor: (Fig. 4)

4. Connect the supply wiring connector from the mounting bracket to the input of the DC remote receiver.
5. Connect the output wires of DC remote receiver (from mounting bracket with earth wire) to the output of the DC remote receiver (**Fig. 4**). Connect the output wires of DC remote receiver with earth wire (from mounting bracket with earth wire) to the input of the fan motor (**Fig. 4**)
6. Connect the output wires of DC remote receiver to the input wires of the fan light kit.



Step 1, 2, and 3. Connect the Live, Neutral, and Earth wire to the mount bracket terminal block.

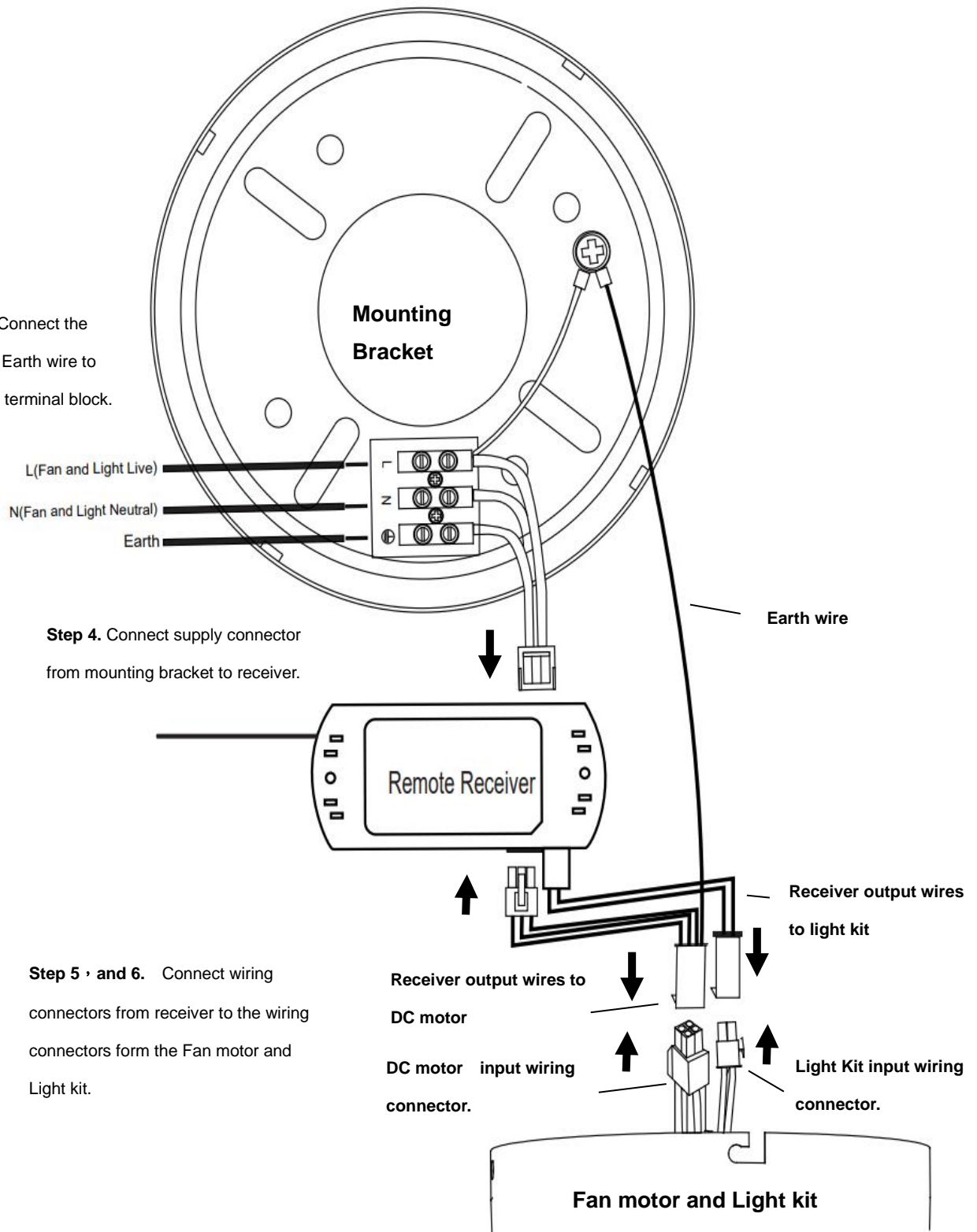


Fig. 4

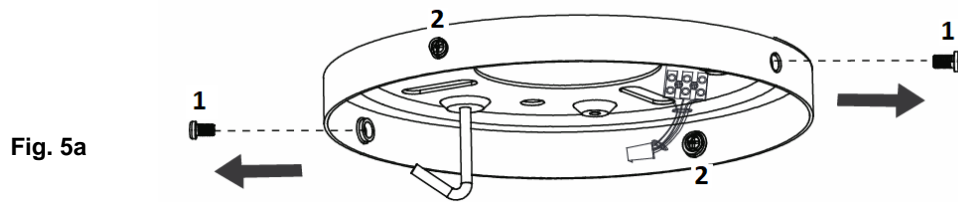


INSTALL THE FAN ASSEMBLY TO THE MOUNTING BRACKET

- After completing the electrical connection at the mounting bracket terminal block, connect the ceiling fan wiring via the quick connector plug.
- **NOTE: Ensure the earth wiring is secure and correct, by performing an earthing continuity test from the fan's accessible metal body back to the earth terminal at the terminal block on the mounting bracket.**

Install the fan assembly to the mounting bracket (Fig.5a):

- Loosen two canopy screws (1) and remove from the mounting bracket.
- Loosen two canopy screws with star washer (2) by half thread from the mounting bracket. (For L-shape slot on canopy to be mounted).



- Lift the hanging canopy (3) of the fan assembly up to the mounting bracket and let the L-shape slot on the hanging canopy (3) go through the two canopy screws with star washer (2). (Fig.5b)
- Turn the hanging canopy (3) until it locks in place at the end section of the L-shape slot, ensure the star washer are between the hanging canopy (3) and screw head. Secure it by tightening the two canopy screws with star washer (2).
- Secure and tighten the canopy screws (1) to the mounting bracket. The hanging canopy (3) shall have 4 screws (1) & (2) in total. Avoid damaging the electrical wiring prepared previously when hanging the canopy.

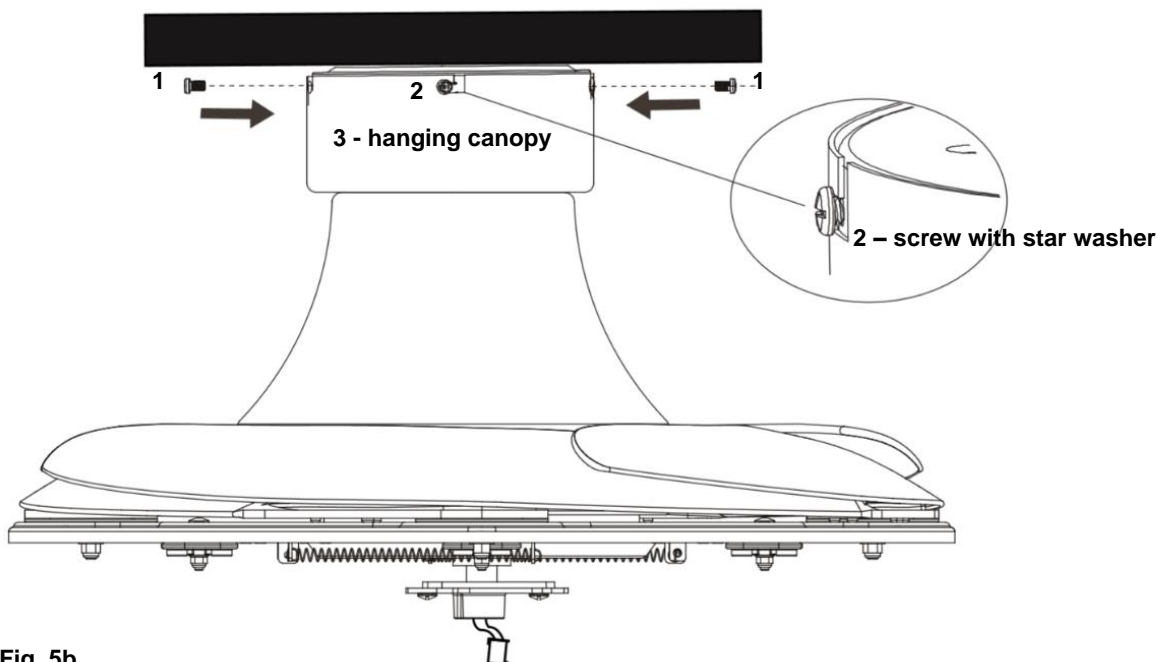


Fig. 5b



LIGHT KIT INSTALLATION

LIGHT KIT INSTALLATION (Fig. 6 & 7)

1. Loosen the screw (2) from the fan bracket. Align the two slot screws (1 and 3) with the keyhole slots (1 and 3) of the light kit plate . (Fig. 6)
2. Turn the light kit plate counterclockwise until the slot screws(1 and 3) are firmly at the end of the slots (1 and 3).
3. Secure screw (2) to the light kit plate. Tighten all three screws. Do not over-tighten.

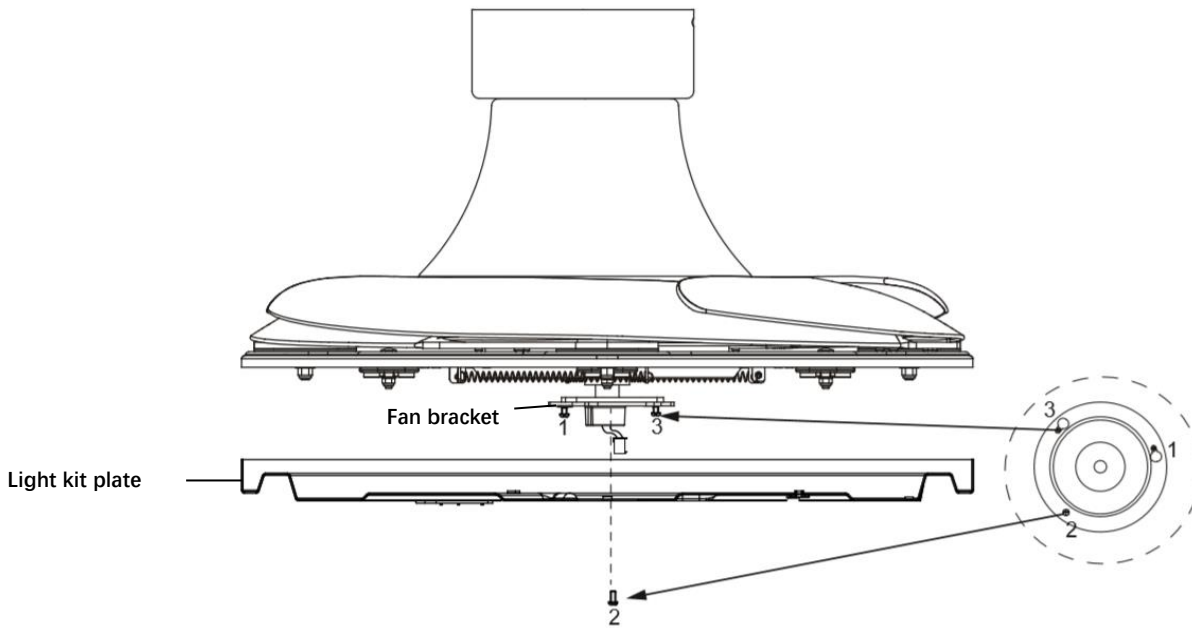


Fig. 6

4. Connect the quick connector to the light kit assembly with LED and shade . (Fig. 7)
5. Finally install the light kit assembly with LED and Shade to the laight kit plate by turning it clockwise (Fig. 7)

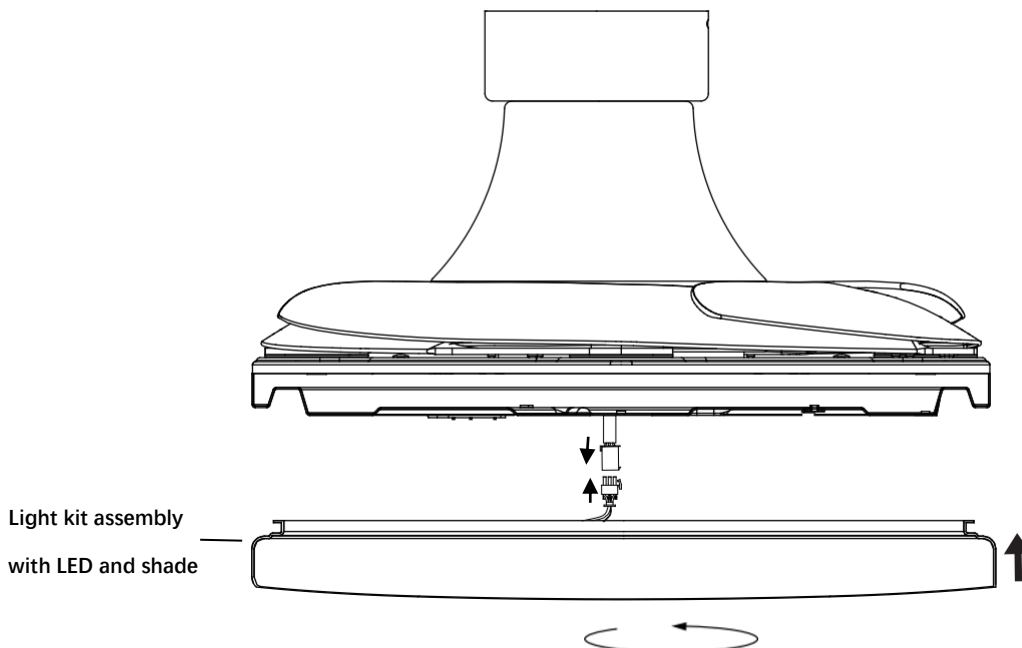


Fig. 7

INSTALLATION OF THE REMOTE CONTROL HOLDER (Fig. 8)

1. Locate a suitable wall to fix the remote control holder with the 2 screws. (Fig.8a).
2. Slide the remote into the holder. (Fig. 8b)

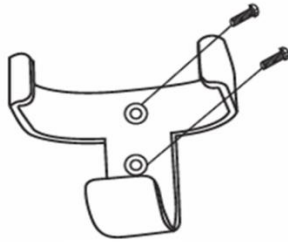


Fig. 8a



Fig. 8b

USING YOUR CEILING FAN


NOTE: The remote and receiver will need to be paired after the installation of the ceiling fan.

NOTE: When two or more ceiling fans are installed in one location, please refer to the instruction on the next page.

PAIRING REMOTE & RECEIVER – WHEN 1 DC CEILING FAN IS INSTALLED IN ONE LOCATION

NOTE: Ensure that you have installed a single pole disconnection switch in the fixed wiring for the fan.

NOTE: Ensure power to the receiver is ON prior to pairing the remote with the receiver.

- Turn OFF the mains supply to the fan by on/off wall switch.
- Install the batteries into the remote. Please make sure the polarity of the battery is correct.
- Turn ON the power to the receiver.
- Press and hold the  button on the remote for 3-5 seconds within 30 seconds of switching the power ON to the receiver of the ceiling fan.
- There will be a notification 'beep' sound from the receiver to indicate that the pairing process is successful.
- Turn ON the fan and change the speed of the ceiling fan via the remote to check the operation and successful pairing.



- If pairing has been unsuccessful, repeat these set of steps again.


PAIRING REMOTE AND RECEIVER – WHEN 2 OR MORE DC CEILING FANS ARE INSTALLED IN ONE LOCATION

When two or more ceiling fans are located near each other, you may desire to have the remote/receiver for each fan paired so that the operation of one fan does not affect the operation of the other fans.


NOTE: Ensure that you have installed a single pole disconnection switch in the fixed wiring for each fan.

NOTE: Ensure power to the Receiver is **ON** prior to pairing the remote with the receiver.

Remote / Receiver pairing for ceiling fan 1:

- Turn OFF the mains supply to the receivers of both ceiling fans 1 and 2.
- Install the batteries into the remote. Please make sure the polarity of the battery is correct.
- Turn ON the power to receiver 1. Keep the power OFF to receiver 2. (Each ceiling fan must have its own isolation switch, so that only the ceiling fan that needs to be paired with the remote will be ON).
- Press and hold the “” button of **remote 1** for 3-5 seconds within 30 seconds of switching the power ON to the receiver of ceiling fan 1.
- There will be a notification ‘beep’ sound from the receiver to indicate that the pairing process is successful.
- Turn ON the fan and change the speed of the ceiling fan 1 by the remote to check the operation and successful pairing.
- If pairing has been unsuccessful, repeat these set of steps again

Remote / Receiver pairing for Ceiling fan 2:

- Turn OFF the mains supply to the receivers of both ceiling fans 1 and 2.
- Install the batteries into the remote. Please make sure the polarity of the battery is correct.
- Turn ON the power to receiver 2. Keep the power OFF to receiver 1. (Each ceiling fan must have its own isolation switch, so that only the ceiling fan that needs to be paired with the transmitter will be ON).
- Press and hold the “” button of **remote 2** for 3-5 seconds within 30 seconds of switching the power ON to the receiver of ceiling fan 2.



- There will be a notification 'beep' sound from the receiver to indicate that the pairing process is successful.
- Turn ON the fan and change the speed of ceiling fan 2 by the remote to check the operation and successful pairing.

If pairing has been unsuccessful, repeat these set of steps again.

REMOTE CONTROL (Fig. 9)

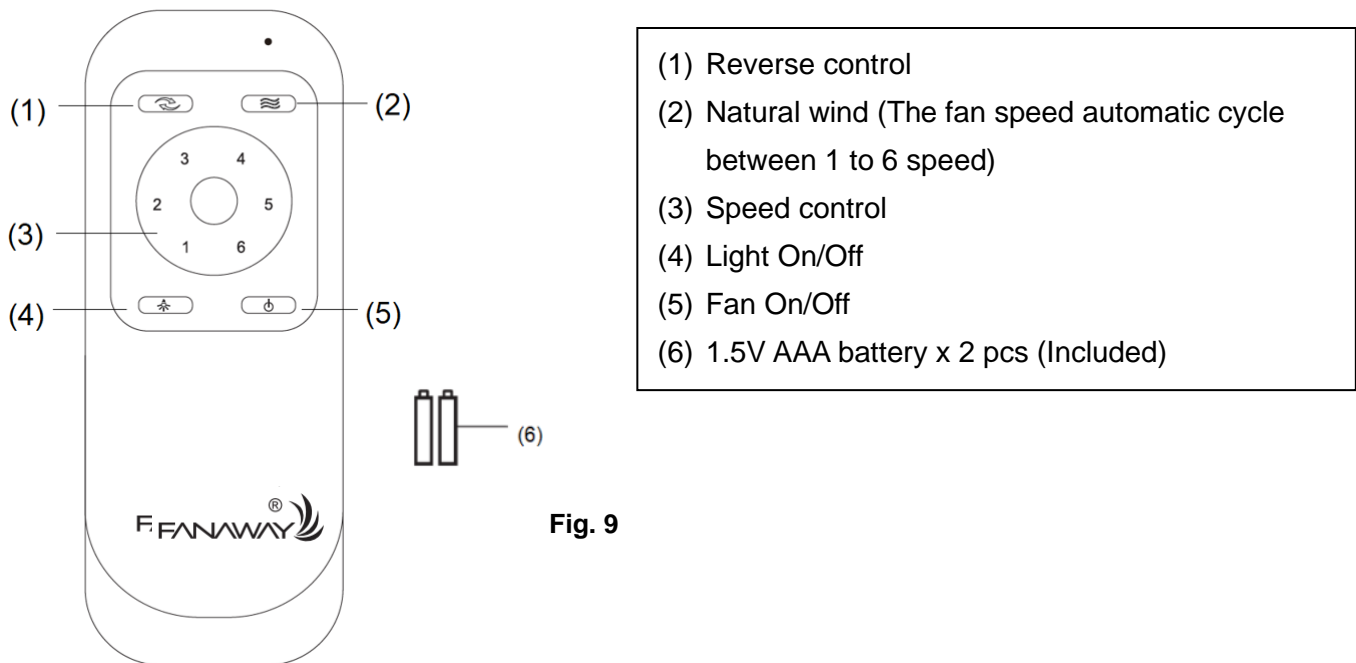


Fig. 9

The LED light has a 3-step dimmable function which is controlled by remote Light ON/OFF button. When the LED light is ON and at 100% brightness, press the light button “ON and then OFF within 5 seconds”, to dim the LED light. Repeat pressing Light button ON and then OFF within 5 seconds to dim further in the following sequence: 100% brightness → 60% brightness → 10% brightness → 100% brightness.

To switch back to 100% brightness at any stage, turn OFF the luminaire, and then wait after 5 seconds turn ON the luminaire, it will reset to 100% brightness.

REPAIRING THE REMOTE & RECEIVER PAIRING – WHEN 1 CEILING FAN IS INSTALLED

- If the remote and receiver lose control after installation or during use, the pairing of the remote and the receiver must be repaired.
- Below are the operating symptoms and the steps to repair the pairing of the remote and receiver.



Symptoms:

- Loss of control - Fan is only running at high speed after installation
- Loss of control - No reverse function after installation
- Loss of control - Remote cannot communicate with the receiver

Repairing Steps:

- Switch OFF the main power to the ceiling fan for 30 seconds.
- Switch ON the main power of the ceiling fan. Follow the same process as described in the 'Pairing remote & receiver' section to repair the pairing.
- Turn on and select the different speed of the ceiling fan to check the operation of the fan.

AFTER INSTALLATION

WOBBLE:

NOTE: ceiling fans tend to move during operation due to the fact that they are mounted on a rubber grommet. If the fan was mounted rigidly to the ceiling it would cause excessive vibration. Movement of a few centimetres is quite acceptable and DOES NOT suggest any problem.

TO REDUCE THE FAN WOBBLE:

Please check that all screws which fix the mounting bracket .

NOTE: This fan has been precision balanced at the factory and will not need to be balanced again.

NOISE:

When it is quiet (especially at night) you may hear occasional small noises. Slight power fluctuations and frequency signals superimposed in the electricity for off-peak hot water control, may cause a change in fan motor noise. This is normal. Please allow a 24-hour "settling-in" period, most noises associated with a new fan disappear during this time.

Please note that this is not a product fault and as such is not covered under warranty – All electric motors are audible to some extent.

CARE & CLEANING

NOTE: Always turn OFF the power at the mains switch before performing any maintenance or attempting to clean your fan.

- Every 6 months periodic cleaning of your ceiling fan is the only maintenance required. Use a soft brush or lint free cloth to avoid scratching the paint finish. Please turn off electricity power when you do so.
- Do not soak or immerse your ceiling fan in the water or other liquids. It could damage the motor or the blades and create the possibility of an electrical shock.



- Ensure that the fan does not come in contact with any organic solvents or cleaners.
- To clean the fan blade, wipe with only a damp clean cloth with NO organic solvents or cleaners.
- The motor has a permanently lubricated ball bearing so there is no need to oil.

SAFETY PRECAUTIONS FOR BATTERY

- **WARNING** – Keep new and used batteries away from children.
- **CAUTION** – Do not ingest battery—Chemical burn hazard.
- Always use 2 x AAA battery type with this ceiling fan remote controller.
- Ensure the batteries are inserted with the correct polarity.
- To prevent false operation during battery insertion or replacement, this ceiling fan must be disconnected from the supply mains.
- Remove batteries from the product when not in use for long periods of time.
- Batteries must be removed from the remote transmitter before it is discarded.
- Dispose of exhausted batteries immediately and safely (so they cannot be retrieved by children). Batteries can still be dangerous. Contact your local council to safely dispose of the battery.
- Regularly check the product and make sure the battery box lid is correctly secured. If the battery compartment does not close securely, stop using the product and keep it away from children.
- If you think batteries might have been swallowed or placed inside any part of the body, seek immediate medical attention. If you suspect your child has swallowed or inserted a button battery, call the emergency number of your country if you are in Europe for fast, expert advice.
- Battery Leaks: Battery contains chemicals and should be treated as any chemical would. Take precautions when handling leaked battery chemicals. Battery chemicals should not be placed near the eyes or ingested. call the emergency number of your country if you are in Europe for fast, expert advice.
-

TECHNICAL INFORMATION

Fan	36" DC fan – Fanaway Orbit
Fan Models	LD-36 CTC FAN (SKU# 210664 / 210665 / 210666)
Rated Voltage	220-240V~ 50Hz
Rated Wattage (Motor)	25W
Rated wattage (Lamp)	25W, 2000 LM, 3000K, Dimmable(3-step dimming)
Battery for remote	2 x AAA (Included)
Weight	7.2kg
Canopy Dimensions	H:60mm Dia:150mm

WARRANTY INFORMATION

IN EUROPE – If you are a European customer please contact the retail outlet where the fan was purchased for warranty service.



D**VIELEN DANK FÜR IHREN KAUF**

Vielen Dank, dass Sie sich für einen der neuesten energiesparenden Deckenventilatoren entschieden haben. Dieser Ventilator läuft mit Gleichstrom. Dadurch ist er äußerst energieeffizient, während gleichzeitig die Luftbewegung mit hohem Volumen und der geräuscharme Betrieb erhalten bleiben.


Energieeinsparung – Der Gleichstrommotor ist die neueste Technologie im Ventilatordesign. Sein hocheffizienter Motor spart bis zu 65 % mehr Energie als Deckenventilatoren mit herkömmlichen Wechselstrommotoren.

Geräuscharmer Betrieb – Dieser Gleichstrom-Ventilatormotor wurde mit stabilisiertem Strom programmiert, wodurch das Motorgeräusch effizient reduziert wird.

Niedrige Betriebstemperatur – Die Gleichstromleistung wird effektiv verwaltet, wodurch die Motorbetriebstemperatur auf weniger als 50 °C sinkt. Dies führt zu einem viel kühleren Motor als ein Standard-Wechselstromventilator und erhöht die Lebensdauer des Motors.

Fernbedienung mit 6 Stufen – Normale Wechselstrom-Deckenventilatoren haben normalerweise nur 3 Stufen, dieser Gleichstromventilator wird mit einer Fernbedienung mit 6 Stufen ausgeliefert, wodurch eine größere Auswahl an Komfortstufen vorhanden ist.

SICHERHEITSVORKEHRUNGEN

1. Dieses Gerät kann von Kindern ab 8 Jahren sowie Personen mit eingeschränkten physischen, sensorischen oder geistigen Fähigkeiten oder Mangel an Erfahrung und Wissen im Umgang mit dem Gerät verwendet werden, wenn sie beaufsichtigt oder bezüglich des sicheren Gebrauchs unterwiesen wurden und die daraus resultierenden Gefahren verstanden haben. Die Reinigung und Wartung dürfen nicht durch Kinder ohne Aufsicht erfolgen.
2. Kinder müssen beaufsichtigt werden, um sicherzustellen, dass sie nicht mit dem Gerät spielen.
3. In die feste Verkabelung muss ein allpoliger Trennschalter gemäß den örtlichen Verkabelungsvorschriften eingebaut werden.
4.  Entsorgen Sie elektrische Geräte nicht als unsortierten Siedlungsabfall, nutzen Sie separate Sammelstellen. Wenden Sie sich an Ihre Gemeindeverwaltung, um Informationen über die verfügbaren Sammelsysteme zu erhalten. Wenn Elektrogeräte auf Deponien entsorgt werden, können gefährliche Stoffe in das Grundwasser eindringen und in die Nahrungskette gelangen, was Ihrer Gesundheit und Ihrem Wohlbefinden schadet.
5. Die Struktur, an der der Ventilator montiert werden soll, muss ein Gewicht von 32 kg tragen können.
6. Der Ventilator sollte so montiert werden, dass sich die Flügel mindestens 2,3 m über dem Boden befinden.



7. Dieser Ventilator ist für Innen- und Außenbereiche geeignet, sofern er geschützt – vollständig von einem Dach bedeckt und durch mindestens zwei Wände geschützt – betrieben wird. Dieser Ventilator ist nicht wasserfest. Im Freien muss der Deckenventilator an einem Ort installiert werden, der vor Wasser, Wind, Staub und Salz geschützt ist. Andernfalls erlischt die Garantie. Die Montage des Ventilators unter Bedingungen, unter denen er Wasser oder Feuchtigkeit ausgesetzt ist, ist gefährlich und kann das Risiko von Schäden, Verletzungen oder Stromschlägen erhöhen.
8. **WARNUNG:** Bei ungewöhnlichen Unwucht- oder oszillierenden Bewegungen ist der Deckenventilator sofort außer Betrieb zu nehmen und der Hersteller, sein Servicepartner oder entsprechend qualifizierte Personen zu kontaktieren.
9. Der Austausch von Teilen der Sicherheitsaufhängung ist vom Hersteller, seinem Servicepartner oder entsprechend qualifizierten Personen durchzuführen.
10. Die Befestigungsmittel zur Befestigung an der Decke, wie z. B. Haken oder andere Vorrichtungen, sind mit einer ausreichenden Festigkeit zu befestigen, um dem 4-fachen Gewicht des Deckenventilators standzuhalten; die Montage des Aufhängungssystems muss vom Hersteller, seinem Servicepartner oder entsprechend qualifizierten Personen durchgeführt werden.
11. Die Lichtquelle in der Leuchte kann nicht von dem Benutzer ersetzt werden. Sie ist nur vom Hersteller, seinem Kundendienst oder einer ähnlich qualifizierten Person zu ersetzen. Die Abdeckung des Beleuchtungssets darf NICHT zur Reinigung, Wartung oder zu anderen Zwecken entfernt werden.



TEILELISTE

- Packen Sie Ihren Deckenventilator vorsichtig aus. Entfernen Sie alle Teile und Beschläge.
- Breiten Sie alle Komponenten auf einer glatten Fläche aus und vergewissern Sie sich vor der Montage, dass keine Komponenten fehlen. Falls Teile fehlen, bringen Sie das komplette Produkt zwecks Überprüfung oder Austausch zum Einkaufsort zurück.
- Prüfen Sie, ob der Deckenventilator während des Transports beschädigt wurde. Benutzen/Installieren Sie kein Produkt, das in irgendeiner Weise beschädigt zu sein scheint. Bringen Sie das komplette Produkt zwecks Überprüfung, Reparatur oder Austausch zum Einkaufsort zurück.
- Überprüfen Sie alle Teile. Sie sollten Folgendes haben:

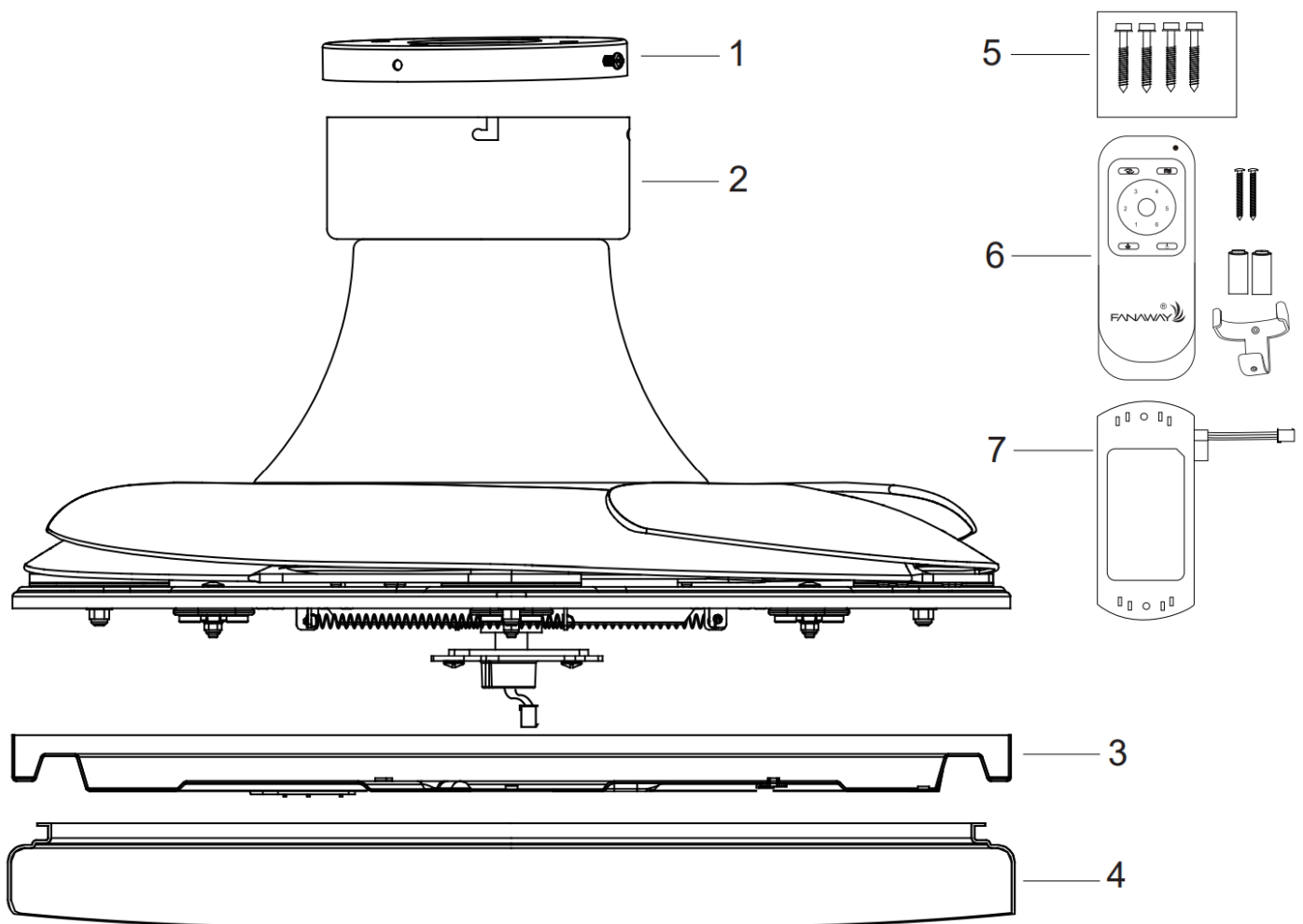


Abb. 1

1	1 x Halterung	5	4 x Montageschrauben
2	1 Ventilatorbaugruppe	6	1 x Fernsteuerungsset
3	1 x Beleuchtungsset-Platte	7	1 x Empfängerset
4	1 x Beleuchtungsset mit LED und Abdeckung		



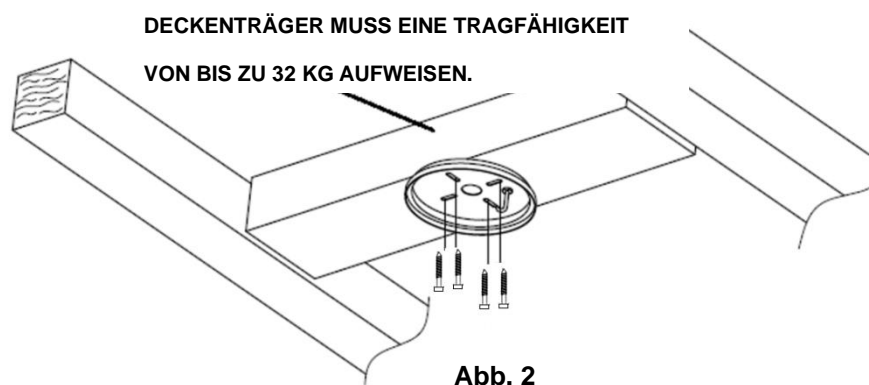
MONTAGE DES VENTILATORS

BENÖTIGTE WERKZEUGE:

- Kreuzschlitz-/ Flachkopf-Schraubendreher
- Zange
- Einstellbarer Schraubenschlüssel
- Trittleiter
- Seitenschneider
- Verkabelung, Versorgungskabel gemäß den örtlichen und nationalen Verkabelungsvorschriften und -bestimmungen

MONTAGE DER HALTERUNG

- Der Deckenventilator muss mit einem Abstand von 300 mm von der Flügelspitze bis zum nächsten Objekt oder den Wänden installiert werden.
- Fixieren Sie mithilfe der vier mitgelieferten langen Schrauben die Halterung an einem Deckenbalken oder einem Deckenträger, der mindestens eine Last von 32 kg tragen kann. Stellen Sie sicher, dass mindestens 30 mm der Schraube in die Halterung eingeschraubt sind. (Abb. 2)



HINWEIS: Die mitgelieferten Befestigungsschrauben sind nur für Holzkonstruktionen geeignet. Für andere Konstruktionen als Holz MUSS der entsprechende Schraubentyp verwendet werden. Stellen Sie sicher, dass die verwendeten Schrauben für die Montagefläche und die Umgebung geeignet sind.

MONTAGE AN EINER DACHSCHRÄGE

Das Aufhängungssystem dieses Ventilators ist NUR für die Montage an einer ebenen Decke geeignet.
Montieren Sie den Ventilator NICHT an einer Dachschräge.



AUFHÄNGEN DER VENTILATORBAUGRUPPE

- Heben Sie den kompletten Ventilator (1) hoch und halten Sie ihn an die Halterung. Hängen Sie den kompletten Ventilator an den J-Haken (2) der Halterung. (Abb. 3).

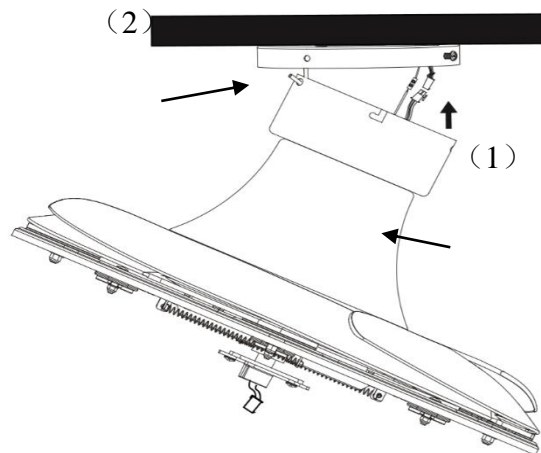


Abb. 3

- Schließen Sie die elektrische Verdrahtung gemäß dem „BLOCKSCHALTBILD“ im nachfolgenden Abschnitt ab.

VORBEREITUNG UND FERTIGSTELLUNG DER ELEKTRISCHEN VERKABELUNG ---

VERKABELUNGSDIAGRAMM (Abb.) 4)

HINWEIS: IN DER FESTVERDRAHTUNG SOLLTE EIN ZUSÄTZLICHER TRENNSCHALTER FÜR ALLE PHASEN VORGESEHEN WERDEN.

HINWEIS: WENN AN EINEM ORT MEHRERE DECKENVENTILATOREN MIT WECHSELSTROMANTRIEB ANGESCHLOSSEN SIND, IST FÜR JEDEN VENTILATOR EIN TRENNSCHALTER NOTWENDIG. ZUR KOPPELUNG ZWISCHEN FERNBEDIENUNG UND EMPFÄNGER IST DIES NOTWENDIG.

Von der Netzversorgung zur Klemmleiste an der Montagehalterung: (Abb. 4)

1. Verbinden Sie den Plusleiter der Stromversorgung mit der Klemme „L“ der Lüsterklemme an der Halterung.
2. Verbinden Sie den Nullleiter der Stromversorgung mit der Klemme „N“ der Lüsterklemme an der Halterung.
3. Verbinden Sie den Schutzleiter mit der Klemme der Lüsterklemme an der Halterung.

Von der Montagehalterung zum Empfänger und Motor: (Abb. 4)

1. Verbinden Sie den Anschluss der Spannungszuleitung von der Montagehalterung mit dem Eingang des Gleichstrom-Fernbedienungsempfängers.
2. Schließen Sie die Ausgangsleitungen des Gleichstrom-Fernbedienungsempfängers (von der Halterung mit Erdungsleitung) an den Ausgang des Gleichstrom-Fernbedienungsempfängers an (**Abb. 4**).



Schließen Sie die Ausgangsleitungen des Gleichstrom-Fernbedienungsempfängers mit Erdungsleitung (von der Halterung mit Erdungsleitung) an den Eingang des Ventilatormotors an (**Abb. 4**).

3. Verbinden Sie die Ausgangsleitungen des Gleichstrom-Fernbedienungsempfängers mit den Eingangsleitungen des Ventilator-Beleuchtungssets.

Schritt 1, 2 und 3 Verbinden Sie den Phasen-, Null- und Erdungsleiter mit der Klemmleiste an der Halterung.

L (Phase Ventilator und Leuchte)

N (Nullleiter Ventilator und Leuchte)

Erde

Schritt 4 Verbinden Sie die Zufuhrleitung von der Halterung mit dem Empfänger.

Schritt 5 und 6 Verbinden Sie die Anschlüsse der Leitungen vom Empfänger mit den Anschlüssen der Leitungen vom Ventilatormotor und Beleuchtungsset.

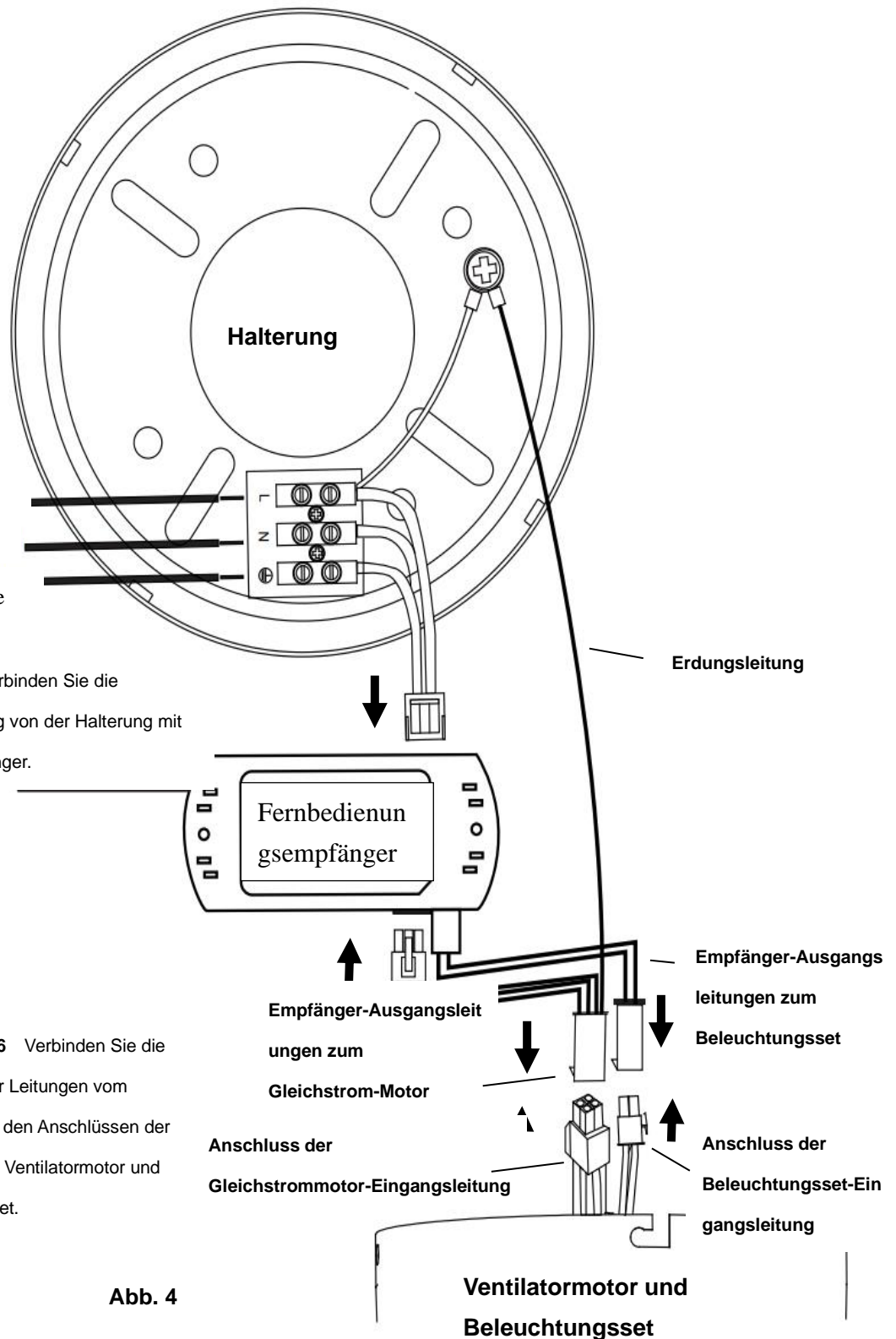


Abb. 4

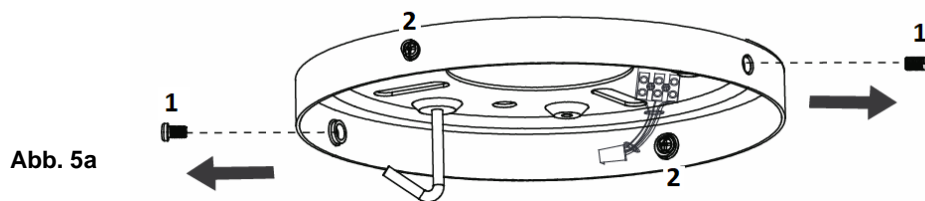


INSTALLATION DES KOMPLETTEN VENTILATORS AN DER HALTERUNG

- Nachdem Sie den elektrischen Anschluss an der Klemmleiste der Halterung abgeschlossen haben, verbinden Sie die Kabel des Deckenventilators mithilfe der Steckanschlüsse.
- **HINWEIS: Vergewissern Sie sich, dass die Erdungsleitung sicher und korrekt ist, indem Sie einen Erdungsdurchgangstest vom zugänglichen Metallkörper des Ventilators zurück zur Erdungsklemme an der Klemmleiste der Montagehalterung durchführen.**

Den kompletten Ventilator an der Halterung installieren (Abb. 5a):

- Schrauben Sie zwei Baldachinschrauben (1) ganz aus der Halterung.
- Lösen Sie zwei Baldachinschrauben mit Zahnscheibe (2), indem Sie sie halb aus der Halterung drehen (für den L-förmigen Schlitz am zu montierenden Baldachin).



- Heben Sie den Deckenbaldachin (3) des Ventilators an die Halterung und führen Sie den L-förmigen Schlitz am Deckenbaldachin (3) durch die zwei Baldachinschrauben mit Zahnscheibe (2). (Abb. 5b)
- Drehen Sie den Deckenbaldachin (3), bis er im Endabschnitt des L-förmigen Schlitzes einrastet. Die Zahnscheibe muss zwischen dem Deckenbaldachin (3) und dem Schraubenkopf sein. Fixieren Sie ihn durch Anziehen der zwei Baldachinschrauben mit Zahnscheibe (2).
- Fixieren und ziehen Sie die Baldachinschrauben (1) an der Halterung fest. Der Deckenbaldachin (3) muss mit insgesamt vier Schrauben (1) und (2) fixiert werden. Vorsichtig beim Aufhängen des Baldachins vorgehen, damit die zuvor angeschlossenen Elektrokabel nicht beschädigt werden.



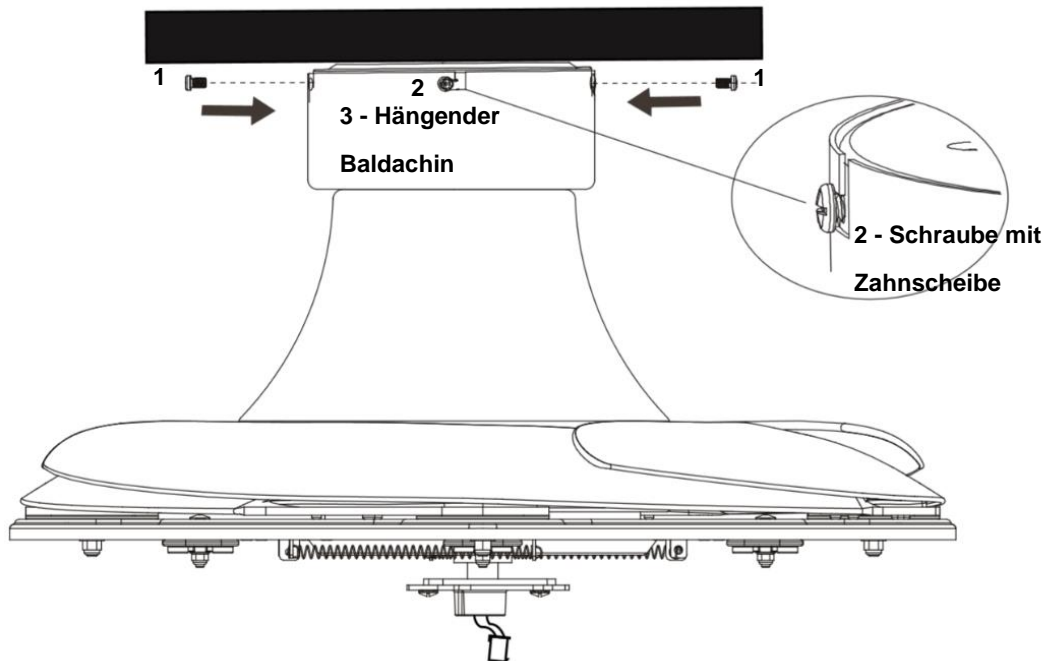


Abb. 5b

INSTALLATION DES BELEUCHTUNGSSETS

INSTALLATION DES BELEUCHTUNGSSETS (Abb. 6 und 7)

1. Lösen Sie die Schraube (2) aus der Ventilatorhalterung. Richten Sie die zwei Schlitzschrauben (1 und 3) an den Schlüsselloch-Schlitzten (1 und 3) der Leuchtenhalterungsplatte aus. (Abb. 6)
2. Drehen Sie die Beleuchtungsset-Platte gegen den Uhrzeigersinn, bis die Schlitzschrauben (1 und 3) fest am Ende der Schlitzte (1 und 3) sitzen.
3. Fixieren Sie die Schraube (2) an der Beleuchtungsset-Platte. Ziehen Sie alle drei Schrauben fest. Überziehen Sie die Schrauben nicht.

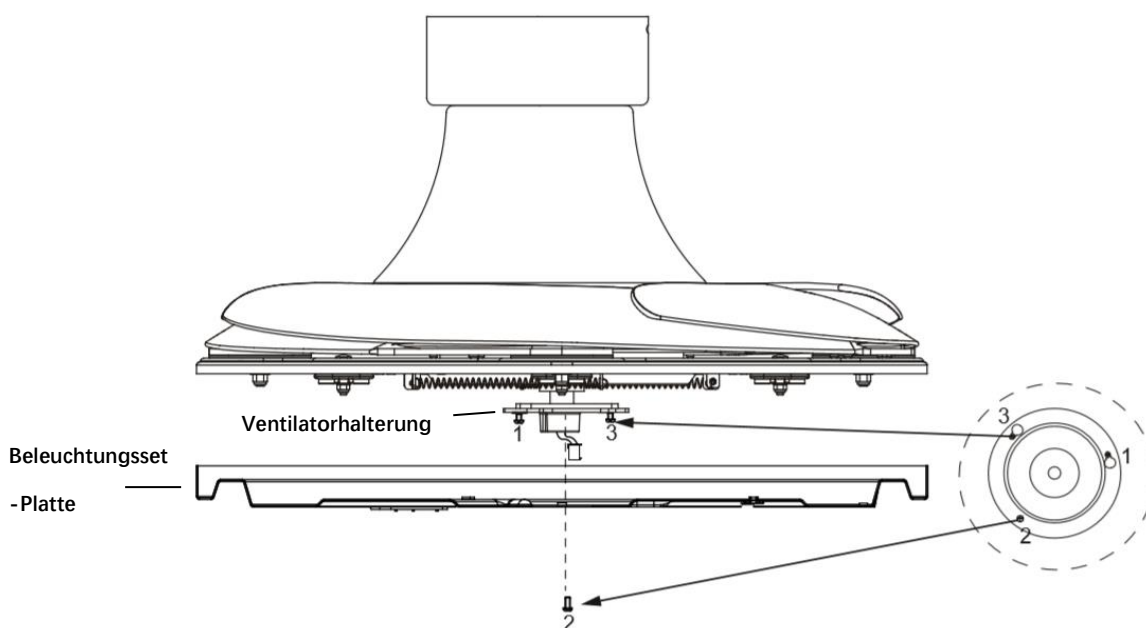
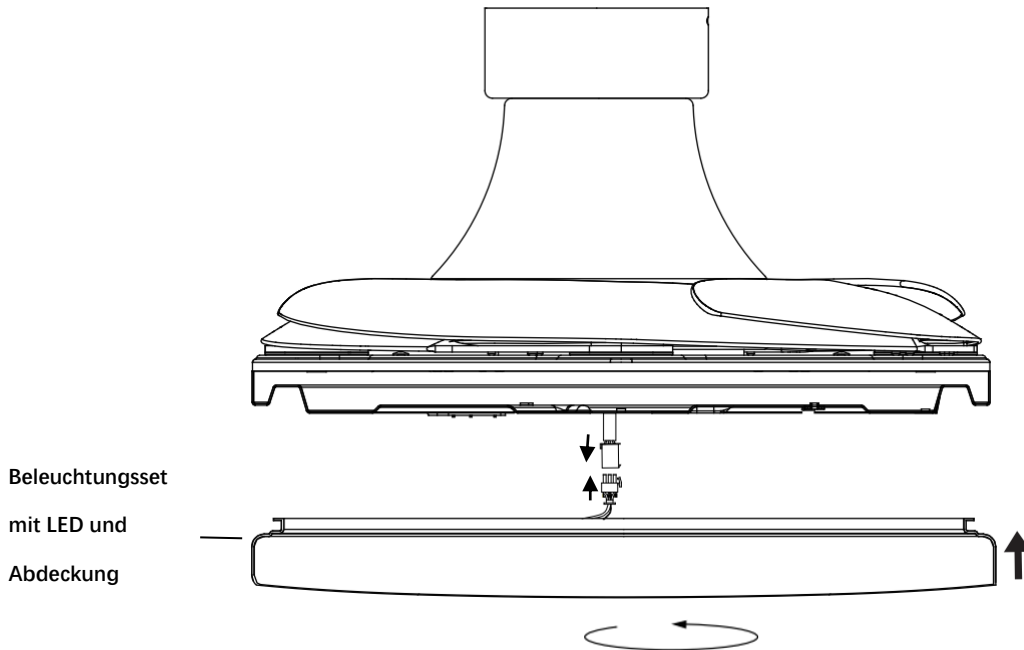


Abb. 6



4. Verbinden Sie den Schnellanschluss mit dem Beleuchtungsset inklusive LED und Abdeckung. (Abb. 7)
5. Installieren Sie zum Schluss das Beleuchtungsset inklusive LED und Abdeckung an der Beleuchtungsset-Platte, indem Sie es im Uhrzeigersinn drehen (Abb. 7)



MONTAGE DER FERNBEDIENUNGSHALTERUNG (Abb. 8)

1. Suchen Sie eine geeignete Wand, um dort die Wandhalterung der Fernbedienung mit 2 Schrauben anzubringen. (Abb. 8a).
2. Setzen Sie die Fernbedienung in die Halterung. (Abb. 8b)

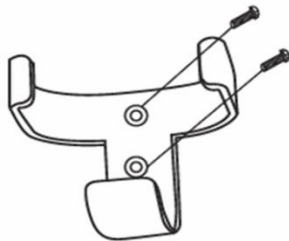


Abb. 8a



Abb. 8b



BENUTZUNG DES DECKENVENTILATORS

HINWEIS: Die Fernbedienung und der Empfänger müssen nach der Installation des Deckenventilators gekoppelt werden.


HINWEIS: Wenn zwei oder mehr Deckenventilatoren an einem Ort installiert sind, beachten Sie bitte die Anleitung auf der nächsten Seite.

KOPPELUNG VON FERNBEDIENUNG UND EMPFÄNGER - WENN 1

WECHSELSTROMDECKENVENTILATOREN AN EINEM STANDORT INSTALLIERT IST

HINWEIS: Stellen Sie sicher, dass ein einpoliger Trennschalter in die feste Verkabelung des Ventilators eingebaut wurde.

HINWEIS: Stellen Sie sicher, dass die Stromversorgung des Empfängers eingeschaltet ist, bevor Sie die Fernbedienung mit dem Empfänger koppeln.

- Schalten Sie die Netzstromversorgung des Ventilators mit einem Ein-/Aus-Wandschalter aus.
- Legen Sie die Batterien in die Fernbedienung ein. Bitte achten Sie auf die richtige Polarität der Batterien.
- Schalten Sie die Stromversorgung des Empfängers ein.
- Innerhalb von 30 Sekunden nach dem Einschalten des Ventilatorempfängers auf der Fernbedienung die Taste  3 bis 5 Sekunden lang gedrückt halten.
- Es ertönt ein Signalton vom Empfänger, der anzeigt, dass der Kopplungsprozess erfolgreich war.
- Schalten Sie den Deckenventilator über die Fernbedienung ein und ändern Sie die Geschwindigkeit, um ihn auf korrekte Funktion und erfolgreiche Kopplung zu testen.
- Wenn die Koppelung nicht erfolgreich war, wiederholen Sie diese Schritte.

KOPPELUNG VON FERNBEDIENUNG UND EMPFÄNGER - WENN 2 ODER MEHR

WECHSELSTROMDECKENVENTILATOREN AN EINEM STANDORT INSTALLIERTEN SIND


Wenn sich zwei oder mehr Deckenventilatoren in der Nähe voneinander befinden, kann es sinnvoll sein, die Fernbedienung/den Empfänger für jeden Ventilator separat zu koppeln, sodass der Betrieb eines Ventilators den Betrieb des anderen Ventilators nicht beeinträchtigt.

HINWEIS: Stellen Sie sicher, dass Sie für jeden Ventilator einen einpoligen Trennschalter in der festen Verkabelung installiert haben.


HINWEIS: Stellen Sie sicher, dass die Stromversorgung des Empfängers **eingeschaltet** ist, bevor Sie die Fernbedienung mit dem Empfänger koppeln.

Koppelung von Fernbedienung und Empfänger für Deckenventilator 1:



- Schalten Sie die Netzstromversorgung der Empfänger der beiden Deckenventilatoren 1 und 2 aus.
- Legen Sie die Batterien in die Fernbedienung ein. Bitte achten Sie auf die richtige Polarität der Batterien.
- Schalten Sie die Stromversorgung von Empfänger 1 EIN. Lassen Sie die Stromversorgung für Empfänger 2 ausgeschaltet. (Jeder Deckenventilator muss über einen eigenen Trennschalter verfügen, sodass nur der Deckenventilator, der mit der Fernbedienung gekoppelt werden muss, eingeschaltet ist).
- Innerhalb von 30 Sekunden nach dem Einschalten des Empfängers von Ventilator 1 auf der **Fernbedienung 1** die Taste  3 bis 5 Sekunden lang gedrückt halten.
- Es ertönt ein Signalton vom Empfänger, der anzeigt, dass der Kopplungsprozess erfolgreich war.
- Schalten Sie den Deckenventilator 1 über die Fernbedienung ein und ändern Sie die Geschwindigkeit, um ihn auf korrekte Funktion und erfolgreiche Kopplung zu testen.
- Wenn die Koppelung nicht erfolgreich war, wiederholen Sie diese Schritte.

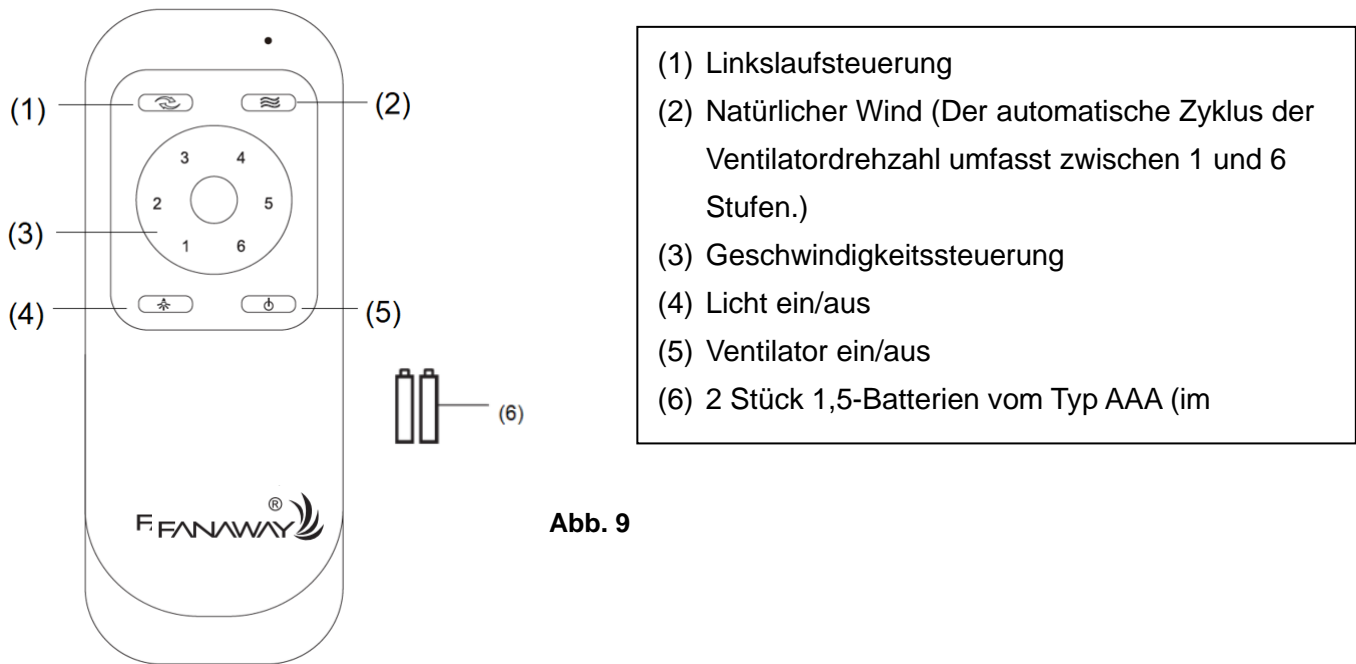
Koppelung von Fernbedienung/Empfänger für Deckenventilator 2:

- Schalten Sie die Netzstromversorgung der Empfänger der beiden Deckenventilatoren 1 und 2 aus.
- Legen Sie die Batterien in die Fernbedienung ein. Bitte achten Sie auf die richtige Polarität der Batterien.
- Schalten Sie die Stromversorgung von Empfänger 2 ein. Lassen Sie die Stromversorgung für Empfänger 1 ausgeschaltet. (Jeder Deckenventilator muss über einen eigenen Trennschalter verfügen, sodass nur der Deckenventilator, der mit dem Sender gekoppelt werden muss, eingeschaltet ist).
- Innerhalb von 30 Sekunden nach dem Einschalten des Empfängers von Ventilator 2 auf der **Fernbedienung 2** die Taste „“ 3 bis 5 Sekunden lang gedrückt halten.
- Es ertönt ein Signalton vom Empfänger, der anzeigt, dass der Kopplungsprozess erfolgreich war.
- Den Deckenventilator 2 über die Fernbedienung einschalten und die Geschwindigkeit umstellen, um ihn auf korrekte Funktion und erfolgreiche Kopplung zu testen.

Wenn die Koppelung nicht erfolgreich war, wiederholen Sie diese Schritte erneut.



FERNBEDIENUNG (Abb. 9)



Die LED-Leuchte besitzt eine 3-stufige Dimmfunktion, die durch die Lichttaste der Fernbedienung gesteuert wird.

Um das LED-Licht bei einer Helligkeitsstufe von 100 % zu dimmen, drücken und lassen Sie die Lichttaste innerhalb von 5 Sekunden los. Wiederholtes Drücken und Loslassen der Lichttaste innerhalb von 5 Sekunden dimmt das Licht in dieser Folge: 100 % Helligkeit → 60 % Helligkeit → 10 % Helligkeit → 100 % Helligkeit

Um von einer beliebigen Helligkeitsstufe auf 100 % zu schalten, schalten Sie die Leuchte aus, warten 5 Sekunden und schalten sie wieder ein. Die Leuchte wird auf 100 % Helligkeit zurückgesetzt.

REPARIEREN DER KOPPELUNG ZWISCHEN FERNBEDIENUNG UND EMPFÄNGER – WENN 1 DECKENVENTILATOR INSTALLIERT IST

- Falls nach der Installation oder während des Gebrauchs die Ansteuerung zwischen Fernbedienung und Empfänger verloren geht, müssen beide Komponenten wieder gekoppelt werden.
- Die folgenden Hinweise beschreiben Störungen während des Betriebs und Abhilfemaßnahmen zum erneuten Koppeln der Fernbedienung mit dem Empfänger.

Probleme:

- Ansteuerungsproblem – Ventilator läuft nach der Installation nur mit hoher Geschwindigkeit
- Ansteuerungsproblem – Kein Linkslauf nach der Installation
- Ansteuerungsproblem – Fernsteuerung kann nicht mit dem Empfänger kommunizieren



Reparaturschritte:

- Den Hauptschalter am Deckenventilator 30 Sekunden lang ausschalten.
- Den Hauptschalter am Deckenventilator einschalten. Folgen Sie den gleichen Schritten wie im Abschnitt „Kopplung von Fernbedienung und Empfänger“ beschrieben, um die Kopplung zu korrigieren.
- Schalten Sie das Gerät ein und wählen Sie die andere Drehzahl des Deckenventilators, um die Funktion des Ventilators zu überprüfen.

NACH DER INSTALLATION

UNRUNDE BEWEGUNG:

HINWEIS: Deckenventilatoren laufen während des Betriebs häufig unrund, da sie auf einer Gummidichtung montiert sind. Wenn der Ventilator fest an der Zimmerdecke montiert wäre, würde er übermäßige Vibrationen erzeugen. Eine Pendelbewegung von einigen Zentimetern ist völlig normal und weist NICHT auf ein Problem hin.

REDUZIEREN DER VENTILATORUNWUCHT:

Prüfen Sie bitte, ob alle Schrauben, die die Halterung fixieren, angezogen sind.

HINWEIS: Dieser Ventilator wurde im Werk feinjustiert und muss nicht erneut justiert werden.

GERÄUSCHE:

In einer ruhigen Umgebung (insbesondere nachts) hören Sie eventuell hier und da leise Geräusche. Leichte Stromschwankungen und Frequenzsignale, die zwecks Warmwasserregulierung außerhalb der Hauptlastzeiten eingeblendet werden, können das Motorgeräusch des Ventilators verändern. Dies ist normal. Bitte haben Sie Geduld. Nach einer „Einlaufzeit“ von 24 Stunden verschwinden die meisten durch einen neuen Ventilator erzeugten Geräusche.

Bitte beachten Sie, dass dies kein Produktfehler ist und somit nicht von der Garantie abgedeckt ist. Alle elektrischen Motoren sind bis zu einem gewissen Grad hörbar.

PFLEGE UND REINIGUNG

HINWEIS: Schalten Sie vor der Reinigung des Ventilators die Stromversorgung immer am Hauptschalter AUS.

- Die regelmäßige halbjährliche Reinigung Ihres Deckenventilators ist die einzige Wartung, die erforderlich ist. Benutzen Sie eine weiche Bürste oder ein fusselfreies Tuch, um zu verhindern, dass die Lackierung zerkratzt wird. Bitte schalten Sie die Stromversorgung aus, wenn Sie das Gerät reinigen.
- Tauchen Sie den Deckenventilator NICHT in Wasser oder andere Flüssigkeiten ein. Dadurch könnten



der Motor oder die Flügel beschädigt werden und möglicherweise ein Stromschlag verursacht werden.

- Achten Sie darauf, dass der Ventilator nicht mit organischen Lösungsmitteln oder Reinigungsmitteln in Berührung kommt.
- Wischen Sie die Flügel nur mit einem feuchten Tuch OHNE organische Lösungsmittel oder Reinigungsmittel sauber.
- Der Motor ist mit einem dauergeschmierten Kugellager versehen. Er muss also nicht geschmiert werden.

SICHERHEITSVORKEHRUNGEN FÜR BATTERIEN

- **WARNUNG** – Halten Sie neue und gebrauchte Batterien von Kindern fern.
- **VORSICHT** - Batterie nicht verschlucken – Verätzungsgefahr.
- Verwenden Sie mit dieser Deckenventilator-Fernbedienung immer zwei AAA-Batterien.
- Achten Sie darauf, dass die Batterien mit der richtigen Polarität eingelegt sind.
- Um Fehler beim Einsetzen oder Auswechseln der Batterien zu vermeiden, muss der Deckenventilator vom Stromnetz getrennt werden.
- Entfernen Sie die Batterien aus dem Gerät, wenn Sie es über einen längeren Zeitraum nicht benutzen.
- Die Batterien müssen aus der Fernbedienung entfernt werden, bevor sie entsorgt wird.
- Entsorgen Sie verbrauchte Batterien sofort und sicher (sodass sie von Kindern nicht gefunden werden können). Leere Batterien können weiterhin gefährlich sein. Wenden Sie sich an Ihre örtliche Gemeindeverwaltung, um die Batterie sicher zu entsorgen.
- Überprüfen Sie das Produkt regelmäßig und vergewissern Sie sich, dass der Deckel des Batteriefachs richtig befestigt ist. Wenn sich das Batteriefach nicht korrekt schließen lässt, stellen Sie den Gebrauch des Gerätes ein und halten Sie es von Kindern fern.
- Wenn Sie glauben, dass Batterien verschluckt wurden oder in einen Teil des Körpers eingeführt wurden, suchen Sie sofort einen Arzt auf. Wenn Sie den Verdacht haben, dass Ihr Kind eine Knopfatterie verschluckt hat, rufen Sie die Notrufnummer Ihres Landes an, wenn Sie sich in Europa befinden, um schnellen und fachkundigen Rat zu erhalten.
- Ausgelaufene Batterie: Die Batterie enthält Chemikalien, die wie jede andere Chemikalie behandelt werden sollten. Treffen Sie Vorsichtsmaßnahmen beim Umgang mit ausgelaufenen Batteriechemikalien. Batterieflüssigkeiten dürfen nicht in Augennähe gebracht oder verschluckt werden. Rufen Sie die Notrufnummer Ihres Landes an, wenn Sie sich in Europa befinden, um schnellen, fachkundigen Rat zu erhalten.



TECHNISCHE DATEN

Ventilator	36-Zoll Gleichstromventilator - Fanaway Orbit
Ventilatormodelle	LD-36 CTC FAN (SKU# 210664/210665/210666)
Nennspannung	220-240 V~ 50 Hz
Nennleistung (Motor)	25 W
Nennleistung (Lampe)	25 W, 2000 LM, 3.000K, dimmbar (3-stufiges Dimmen)
Batterie für Fernbedienung	2 AAA-Batterien (im Lieferumfang enthalten)
Gewicht	7,2 kg
Maße des Baldachins	H: 60 mm Durchmesser: 150 mm

GARANTIEINFORMATIONEN

IN EUROPA – Wenn Sie ein europäischer Kunde sind, wenden Sie sich bitte an das Geschäft, in dem der Ventilator gekauft wurde, um Garantieleistungen in Anspruch zu nehmen.





MERCI POUR VOTRE ACHAT

Nous vous remercions d'avoir acheté le dernier des ventilateurs de plafond à économie d'énergie. Ce ventilateur fonctionne sur une alimentation CC (courant continu), ce qui lui donne l'avantage d'être très économe en énergie tout en maintenant un mouvement d'air à volume élevé et un fonctionnement silencieux.


Économie d'énergie - Le moteur à courant continu est la toute dernière technologie en matière de conception de ventilateurs. Son moteur très efficace permet d'économiser jusqu'à plus de 65 % d'énergie par rapport aux ventilateurs de plafond équipés de moteurs conventionnels à courant alternatif.

Fonctionnement silencieux – Ce moteur de ventilateur à courant continu est programmé avec un courant stabilisé qui réduit efficacement le bruit du moteur.

Faible température de fonctionnement - L'alimentation en courant continu est gérée efficacement, ce qui permet de réduire la température de fonctionnement du moteur à moins de 50 °C. Il en résulte un moteur bien plus froid que celui d'un ventilateur classique alimenté en courant alternatif. Cela augmente la durée de vie du moteur.

Télécommande à 6 vitesses - Les ventilateurs de plafond à courant alternatif ne comportent généralement que 3 vitesses. Ce ventilateur à courant continu est fourni avec une télécommande à 6 vitesses, ce qui offre un plus grand choix de niveaux de confort.

CONSIGNES DE SÉCURITÉ

1. Cet appareil peut être utilisé par des enfants âgés de plus de 8 ans et des personnes ayant des capacités physiques, sensorielles et mentales réduites ou un manque d'expérience et de connaissances si elles sont surveillées ou si elles ont reçu des instructions concernant l'utilisation de l'appareil en toute sécurité et si elles comprennent les dangers encourus. Le nettoyage et l'entretien ne doivent pas être effectués par des enfants sans surveillance.
2. Il convient de surveiller les enfants pour s'assurer qu'ils ne jouent pas avec l'appareil.
3. Un interrupteur de déconnexion omnipolaire doit être incorporé dans le câblage fixe, conformément aux règles de câblage locales.
4.  Ne jetez pas les appareils électriques avec les déchets municipaux non triés, utilisez des installations de collecte séparées. Contactez les autorités locales pour obtenir des informations sur les systèmes de collecte disponibles. Si les appareils électriques sont éliminés dans des décharges ou des dépotoirs, des substances dangereuses risquent de s'infiltrer dans la nappe phréatique et entrer dans la chaîne alimentaire, avec des conséquences néfastes sur votre santé et à votre bien-être.
5. La structure sur laquelle le ventilateur est fixé doit être capable de supporter un poids de 32 kg.
6. Le ventilateur doit être fixé de sorte que les pales soient à au moins 2,3 m au-dessus du sol.
7. Ce ventilateur convient aux zones intérieures et en plein air où le ventilateur doit être entièrement



couvert par un minimum de 2 murs. Ce ventilateur n'est pas étanche. Lorsqu'il est installé dans une zone en plein air, le ventilateur de plafond doit être placé dans un endroit protégé de l'eau, du vent, de la poussière et du sel. L'exposition aux éléments susmentionnés entraîne l'annulation de la garantie. Le montage du ventilateur dans une situation où il est soumis à l'eau ou à l'humidité est dangereux et peut augmenter le risque de dommages, de blessures ou d'électrocution.

8. **AVERTISSEMENT** : Si vous observez des tremblements ou des oscillations inhabituels, arrêtez immédiatement d'utiliser le ventilateur de plafond et contactez le fabricant, son agent de maintenance ou une personne dûment qualifiée.
9. Le remplacement des pièces du dispositif de suspension de sécurité doit être effectué par le fabricant, son agent d'entretien ou des personnes dûment qualifiées.
10. Les moyens de fixation du ventilateur au plafond, tels que les crochets ou autres dispositifs, doivent être fixés avec une résistance suffisante pour supporter 4 fois le poids du ventilateur de plafond ; le montage du système de suspension doit être effectué par le fabricant, son agent d'entretien ou des personnes dûment qualifiées.
11. La source lumineuse contenue dans ce luminaire n'est pas remplaçable par l'utilisateur. Elle doit être remplacée exclusivement par le fabricant, son agent de service ou une personne de qualification similaire. L'abat-jour du kit d'éclairage ne doit en aucun cas être enlevé pour les manipulations de nettoyage ou d'entretien, ni dans quelque autre cas que ce soit.



LISTE DES PIÈCES

- Déballez soigneusement votre ventilateur de plafond. Retirez toutes les pièces et le matériel.
- Disposez tous les éléments sur une surface lisse et assurez-vous qu'aucun élément ne manque avant de procéder à l'assemblage. Si des pièces manquent, retournez le produit complet au lieu d'achat afin qu'il soit inspecté ou remplacé.
- Vérifiez si le ventilateur de plafond a été endommagé pendant le transport. N'utilisez/n'installez pas un produit présentant des dommages de quelque nature que ce soit. Ramenez le produit dans son intégralité au point de vente afin qu'il soit inspecté, réparé ou remplacé.
- Examinez toutes les pièces, vous devez avoir les éléments suivants :

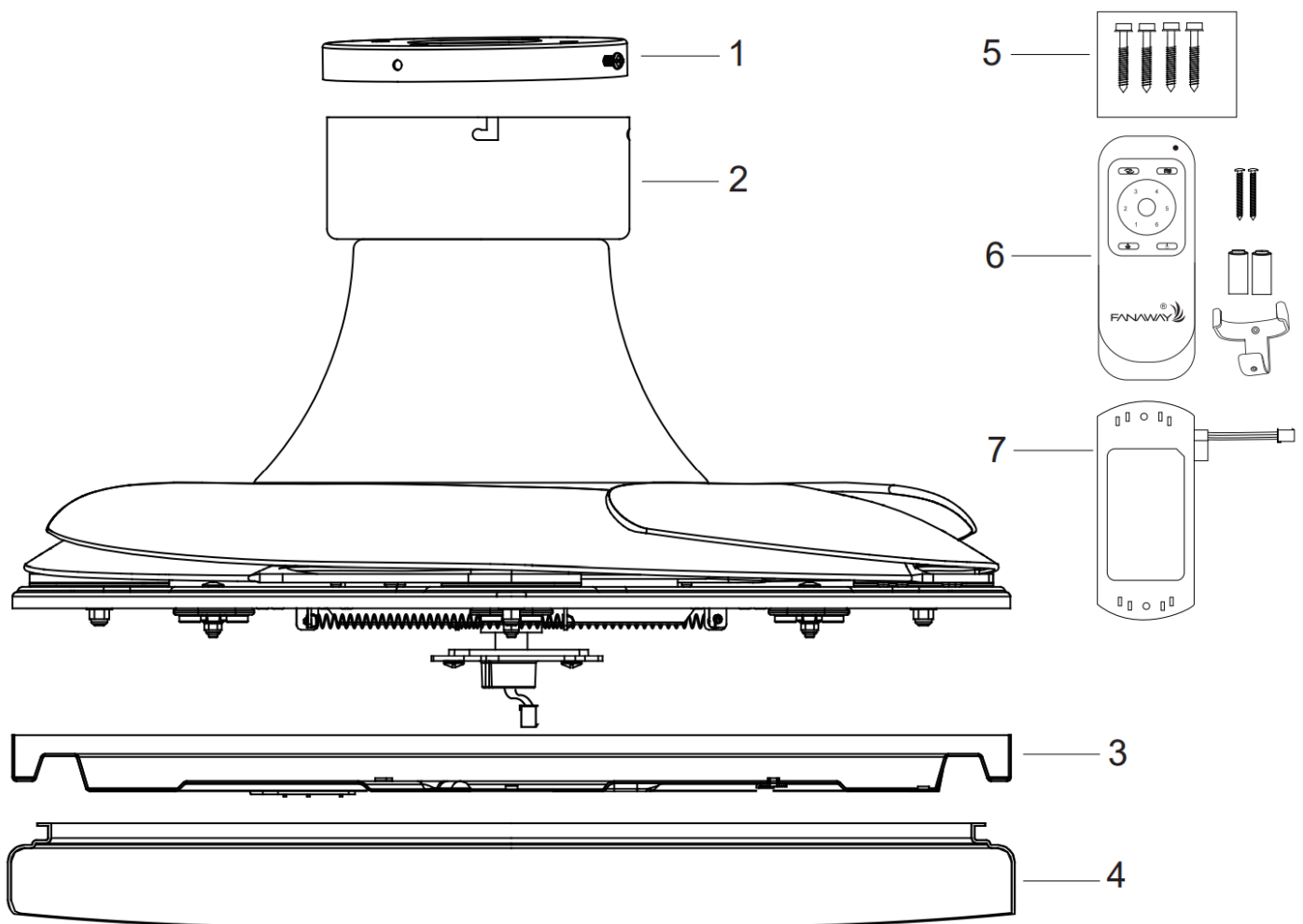


Schéma 1

1	Support de montage x 1	5	Vis de montage x 4
2	Ventilateur x 1	6	Télécommande x 1
3	Plaque du kit d'éclairage x 1	7	Récepteur x 1
4	Système d'éclairage avec LED et abat-jour x 1		



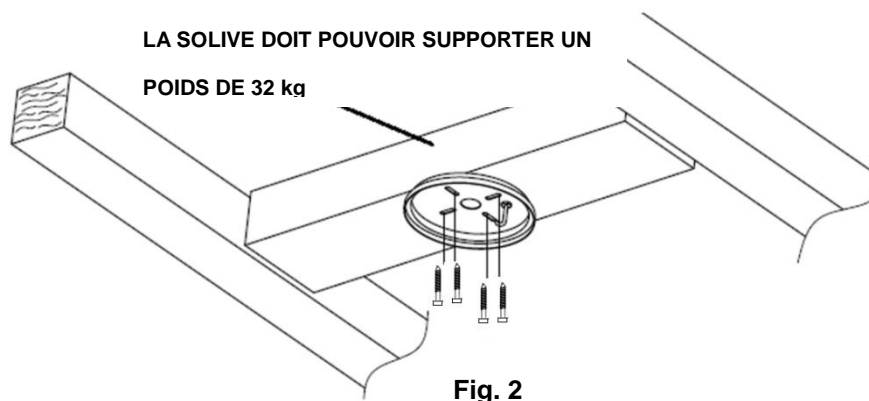
INSTALLATION DU VENTILATEUR

OUTILS REQUIS :

- Tournevis cruciforme / à tête plate
- Pincés
- Clé à molette
- Escabeau
- Coupe-fil
- Câblage, câble d'alimentation selon les codes et règlements de câblage locaux, provinciaux et nationaux.

INSTALLATION DU SUPPORT DE MONTAGE

- Le ventilateur de plafond doit être installé dans un endroit où les pales seront éloignées d'au moins 30 cm de tout objet ou mur.
- Installez le support de montage sur une solive ou une structure capable de supporter une charge d'au moins 32 kg avec les 4 vis longues fournies. Veillez à ce qu'au moins 3 cm des vis soient vissés dans le support. (Fig. 2)



REMARQUE : Les vis de support fournies conviennent uniquement pour les structures en bois. Pour les structures autres que du bois, un type de vis approprié doit **IMPÉRATIVEMENT** être utilisé. Veillez à ce que les vis utilisées soient adaptées à la surface de montage et à l'environnement.

INSTALLATION SUR PLAFOND INCLINÉ

Le système de suspension de ce ventilateur convient **UNIQUEMENT** pour une installation sur un plafond horizontal.

N'INSTALLEZ PAS le ventilateur sur un plafond incliné.



SUSPENSION DU VENTILATEUR

- Soulevez le ventilateur complet (1) pour le placer sur le support de montage. Accrochez le ventilateur complet sur le crochet J (2) du support de montage. (Fig.3)

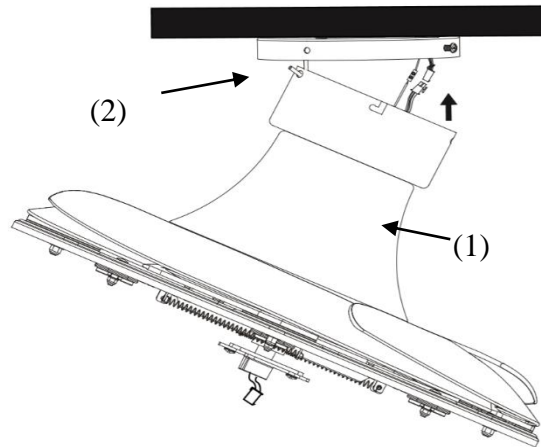


Fig. 3

- Effectuez les branchements électriques requis conformément à la section « SCHÉMA DE CÂBLAGE ÉLECTRIQUE » ci-après.

PRÉPARATION ET INSTALLATION DU CÂBLAGE ÉLECTRIQUE --- SCHÉMA DE CÂBLAGE (FIG. 4)

REMARQUE : UN INTERRUPTEUR DE DÉCONNEXION MULTIPOLAIRE SUPPLÉMENTAIRE DOIT ÊTRE INCLUS DANS LE CÂBLAGE FIXE.

REMARQUE : SI DEUX OU PLUSIEURS VENTILATEURS DE PLAFOND À COURANT CONTINU SONT INSTALLÉS DANS LE MÊME LIEU, UN INTERRUPTEUR D'ISOLATION EST NÉCESSAIRE POUR CHAQUE VENTILATEUR DE PLAFOND. IL EST REQUIS LORS DE LA PROGRAMMATION DE LA TÉLÉCOMMANDE ET DU RÉCEPTEUR EN VUE DE LEUR APPARIEMENT.

De l'alimentation secteur au bornier du support de montage : (Fig. 4)

1. Connectez le fil d'alimentation sous tension à la borne L du bornier du support de montage.
2. Connectez le fil d'alimentation neutre à la borne N du bornier du support de montage
3. Connectez le fil de terre à la borne de terre du bornier sur le support de montage.

Du support de montage au récepteur de la télécommande et au moteur : (Fig. 4)

1. Connectez le connecteur des câbles d'alimentation du support de montage à l'entrée du récepteur de la télécommande CC.
2. Raccordez les fils de sortie du récepteur de télécommande CC (depuis le support de montage avec fil de terre) à la sortie du récepteur de télécommande CC (**Fig. 4**). Raccordez les fils de sortie du récepteur de télécommande CC avec fil de terre (depuis le support de montage avec fil de terre) à l'entrée du moteur du ventilateur (**Fig. 4**)
3. Connectez les fils de sortie du récepteur de télécommande CC aux fils d'entrée du kit d'éclairage.



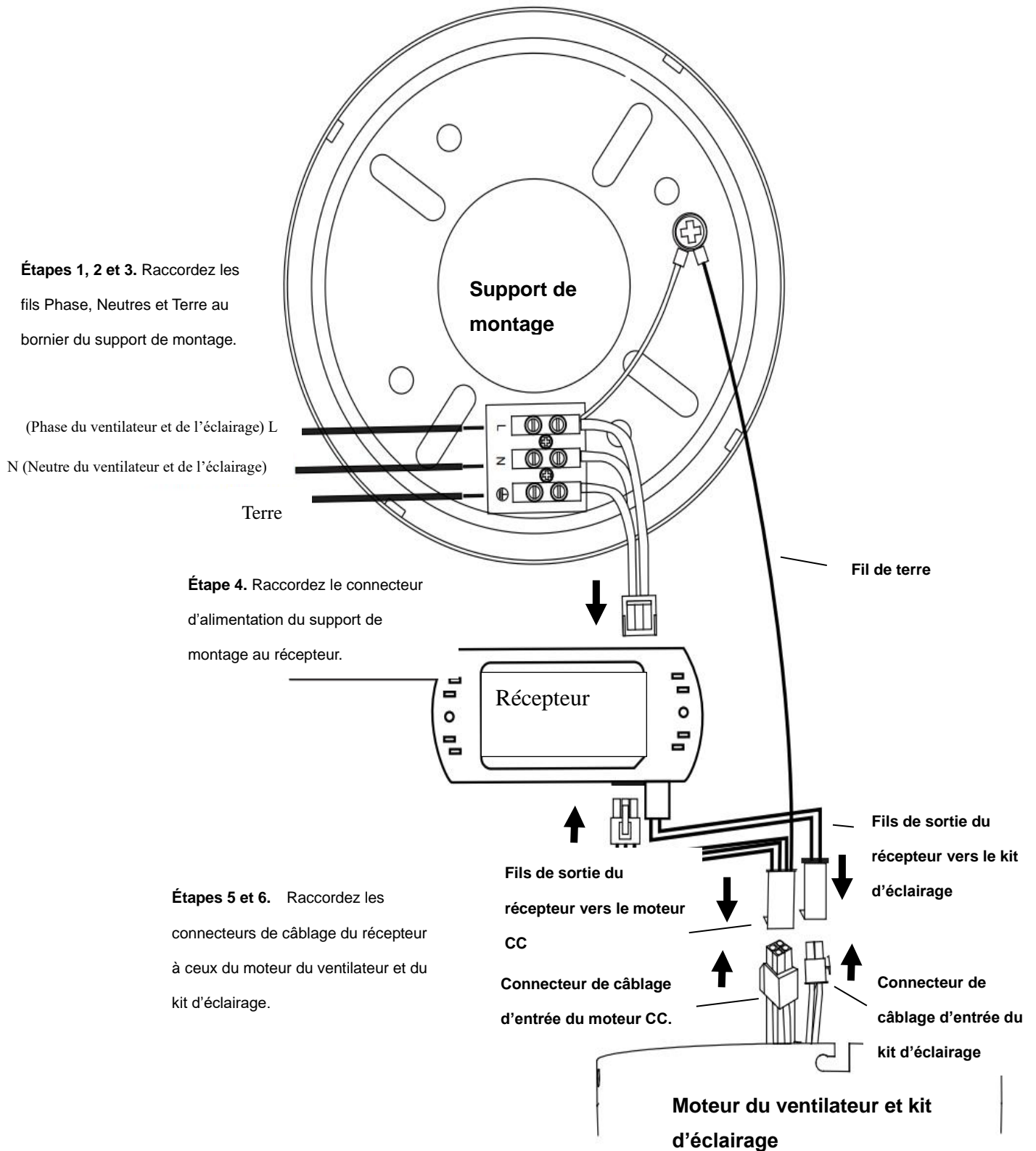


Schéma 4



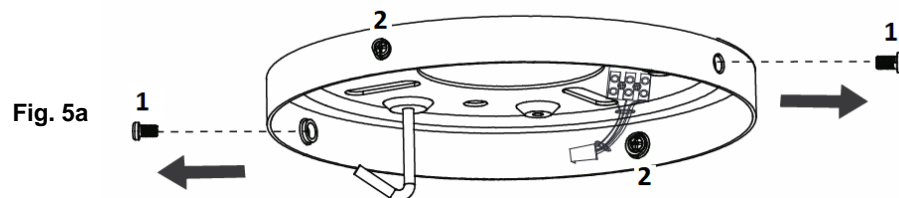
INSTALLATION DU VENTILATEUR COMPLET SUR LE SUPPORT DE MONTAGE

- Après avoir effectué les branchements électriques au niveau du bornier du support de montage, reliez le câblage du ventilateur de plafond au connecteur rapide.
- REMARQUE : Veillez à ce que la mise à la terre soit réalisée de manière correcte et sécurisée en réalisant un test de continuité de mise à la terre du corps métallique accessible du ventilateur à la borne de terre du bornier**

Bornier sur la barrette de fixation

Installation du ventilateur complet sur le support de montage (Fig. 5a) :

- Dévissez les deux vis du capot de suspension (1) et enlevez-les du support de montage.
- Dévissez les 2 vis à rondelle en étoile (2) du support de montage de la moitié du pas de vis. (Pour permettre le montage de l'encoche en L sur le capot de suspension).



- Soulevez le capot de suspension (3) du ventilateur complet jusqu'au support de montage et laissez l'encoche en L du capot de suspension (3) passer par les vis à rondelle en étoile (2). (Fig. 5b)
- Tournez le capot de suspension (3) jusqu'à ce qu'il se verrouille en position à l'extrémité de l'encoche en L, en veillant à intercaler la rondelle en étoile entre le capot de suspension (3) et la tête de la vis. Fixez-le en serrant les deux vis à rondelle en étoile (2).
- Vissez et serrez les vis du capot de suspension (1) sur le support de montage. Le capot de suspension (3) possède 4 vis (1) et (2) au total. Lors de la suspension du capot de suspension, faites attention à ne pas endommager le câblage électrique préparé précédemment.



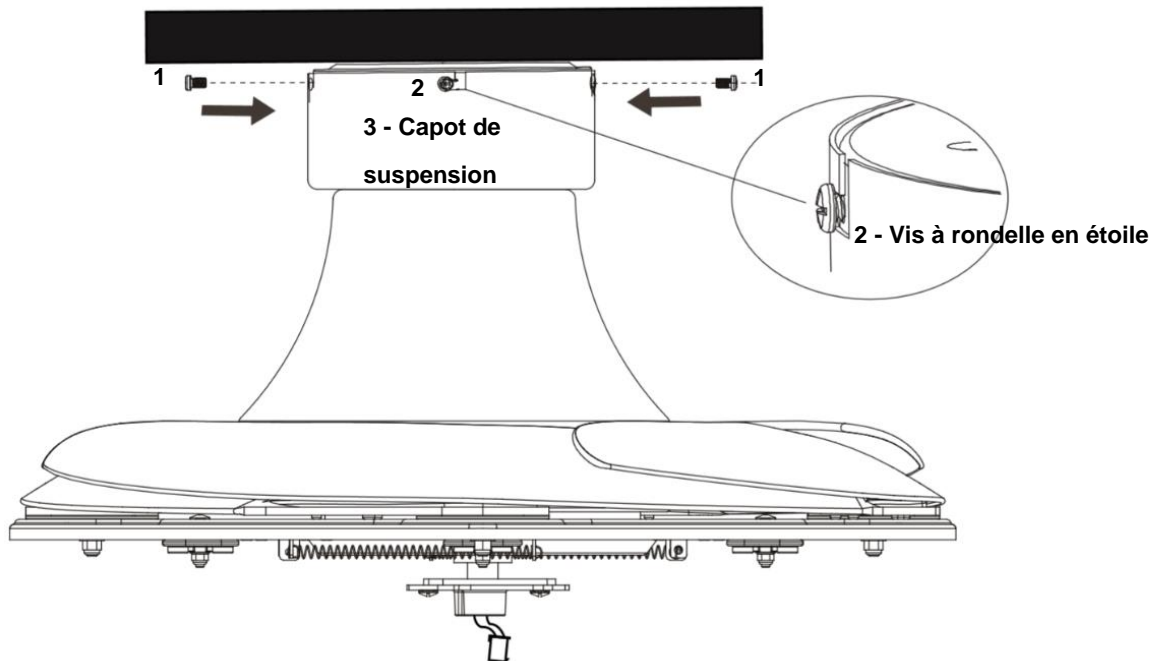


Fig. 5b

INSTALLATION DU KIT D'ÉCLAIRAGE

INSTALLATION DU KIT D'ÉCLAIRAGE (Fig. 6 & 7)

1. Dévissez la vis (2) du support du ventilateur. Alignez les deux vis à tête fendue (1 et 3) avec les encoches clés (1 et 3) de la plaque du kit d'éclairage. (Fig. 6)
2. Tournez la plaque du kit d'éclairage dans le sens inverse des aiguilles d'une montre jusqu'à ce que les vis à tête fendue (1 et 3) soient calées à l'extrémité des encoches (1 et 3).
3. Vissez la vis (2) à la plaque du kit d'éclairage. Serrez les 3 vis. Évitez de trop serrer.

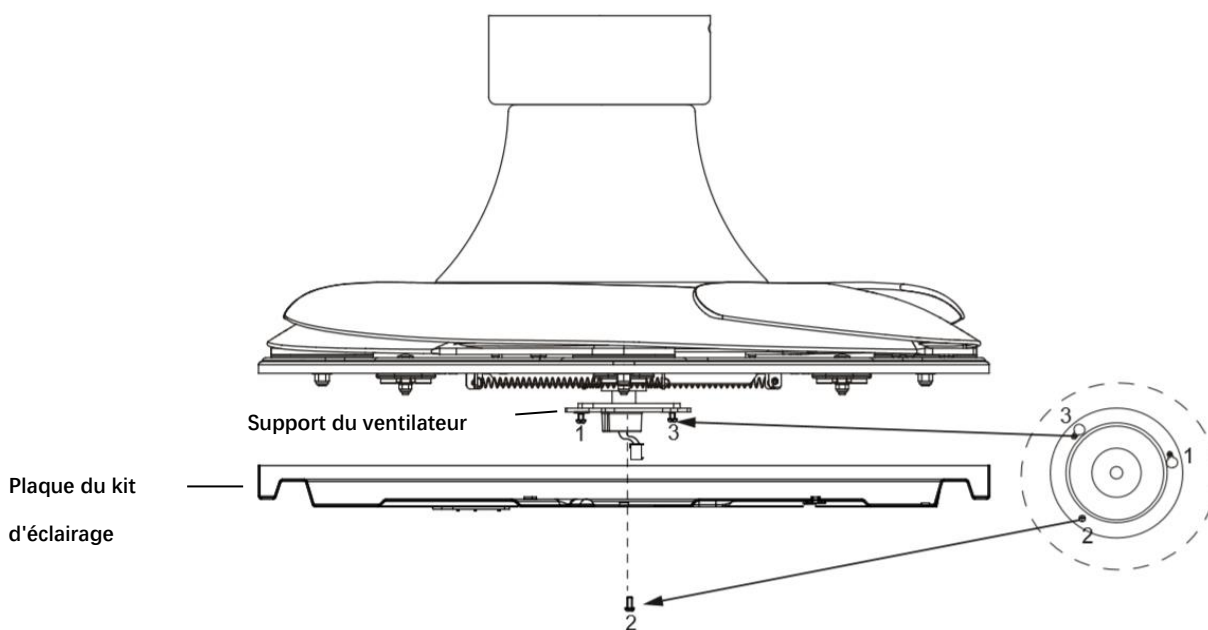
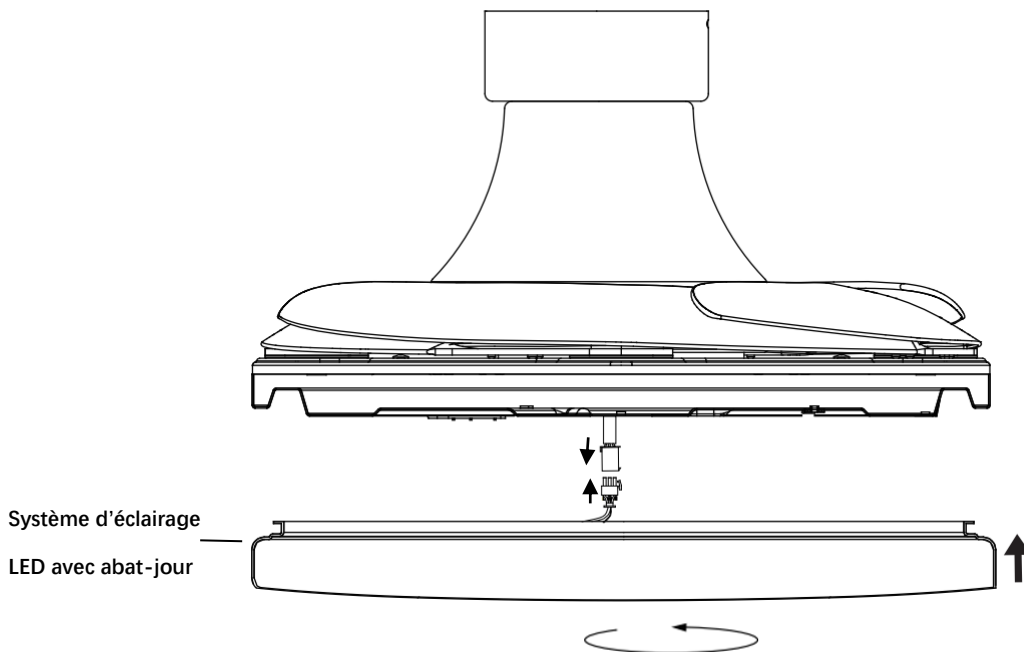


Fig. 6

4. Raccordez le connecteur rapide au kit d'éclairage LED avec abat-jour. (Schéma 7)

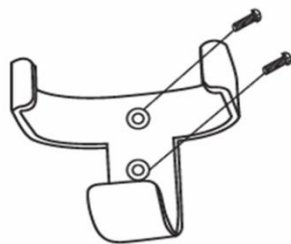


- Enfin, fixez le kit d'éclairage LED avec abat-jour à la plaque de montage en le tournant dans le sens des aiguilles d'une montre (Fig. 7)



INSTALLATION DU SUPPORT DE LA TÉLÉCOMMANDE (Fig. 8)

- Cherchez un mur adéquat pour fixer le support mural de la télécommande avec les 2 vis. (Fig. 8a).
- Emboîtez la télécommande dans le support. (Fig. 8b)



UTILISATION DE VOTRE VENTILATEUR DE PLAFOND


REMARQUE : La télécommande et le récepteur devront être appariés après l'installation du ventilateur de plafond.

REMARQUE : Si deux ou plusieurs ventilateurs de plafond sont installés au même endroit, veuillez vous référer aux instructions de la page suivante.

APPAIRAGE DE LA TÉLÉCOMMANDE ET DU RÉCEPTEUR – 1 VENTILATEUR DE PLAFOND À COURANT CONTINU INSTALLÉ À 1 ENDROIT

REMARQUE : Assurez-vous d'avoir installé un interrupteur de déconnexion unipolaire dans le câblage fixe du ventilateur.

REMARQUE : Assurez-vous que le récepteur est sous tension avant d'apparier la télécommande avec le récepteur.

- Coupez l'alimentation électrique du ventilateur à l'aide de l'interrupteur mural marche/arrêt.
- Installez les piles dans la télécommande. Assurez-vous que le sens de polarité des piles est correct.
- Mettez le récepteur sous tension.
- Appuyez et maintenez le bouton  de la télécommande enfoncé pendant 3 à 5 secondes dans les 30 secondes suivant la mise sous tension du récepteur du ventilateur de plafond.
- Vous entendrez un « bip » de notification du récepteur indiquant que le processus d'appairage a réussi.
- Allumez le ventilateur et modifiez la vitesse du ventilateur de plafond à l'aide de la télécommande pour vérifier le bon fonctionnement et la réussite du processus d'appairage.
- Si l'appairage a échoué, répétez ces étapes une nouvelle fois.

APPAIRAGE DE LA TÉLÉCOMMANDE ET DU RÉCEPTEUR - LORSQUE 2 OU PLUSIEURS VENTILATEURS DE PLAFOND À COURANT CONTINU SONT INSTALLÉS AU MÊME ENDROIT


Lorsque deux ou plusieurs ventilateurs sont situés à proximité l'un de l'autre, il pourrait être souhaitable que la télécommande/le récepteur de chaque ventilateur soit réglé sur un code différent, afin que le fonctionnement d'un ventilateur n'affecte pas celui des autres.

REMARQUE : Assurez-vous d'avoir installé un interrupteur de déconnexion unipolaire dans le câblage fixe de chaque ventilateur.


REMARQUE : Assurez-vous que le récepteur est **sous tension** avant d'apparier la télécommande avec le récepteur.

Appairage télécommande/récepteur pour le ventilateur de plafond 1 :



- Coupez l'alimentation électrique des récepteurs des deux ventilateurs de plafond 1 et 2.
- Installez les piles dans la télécommande. Assurez-vous que le sens de polarité des piles est correct.
- Mettez le récepteur 1 sous tension. Maintenez le récepteur 2 hors tension. (Chaque ventilateur de plafond doit avoir son propre interrupteur d'isolation, de manière à ce que seul le ventilateur de plafond qui doit être appairé avec la télécommande soit sous tension).
- Appuyez et maintenez le bouton  de la **télécommande 1** enfoncé pendant 3 à 5 secondes dans les 30 secondes qui suivent la mise sous tension du récepteur du ventilateur de plafond 1.
- Vous entendrez un « bip » de notification du récepteur indiquant que le processus d'appairage a réussi.
- Allumez le ventilateur et modifiez la vitesse du ventilateur de plafond 1 à l'aide de la télécommande pour vérifier le bon fonctionnement et la réussite du processus d'appairage.
- Si l'appairage a échoué, répétez ces étapes une nouvelle fois.

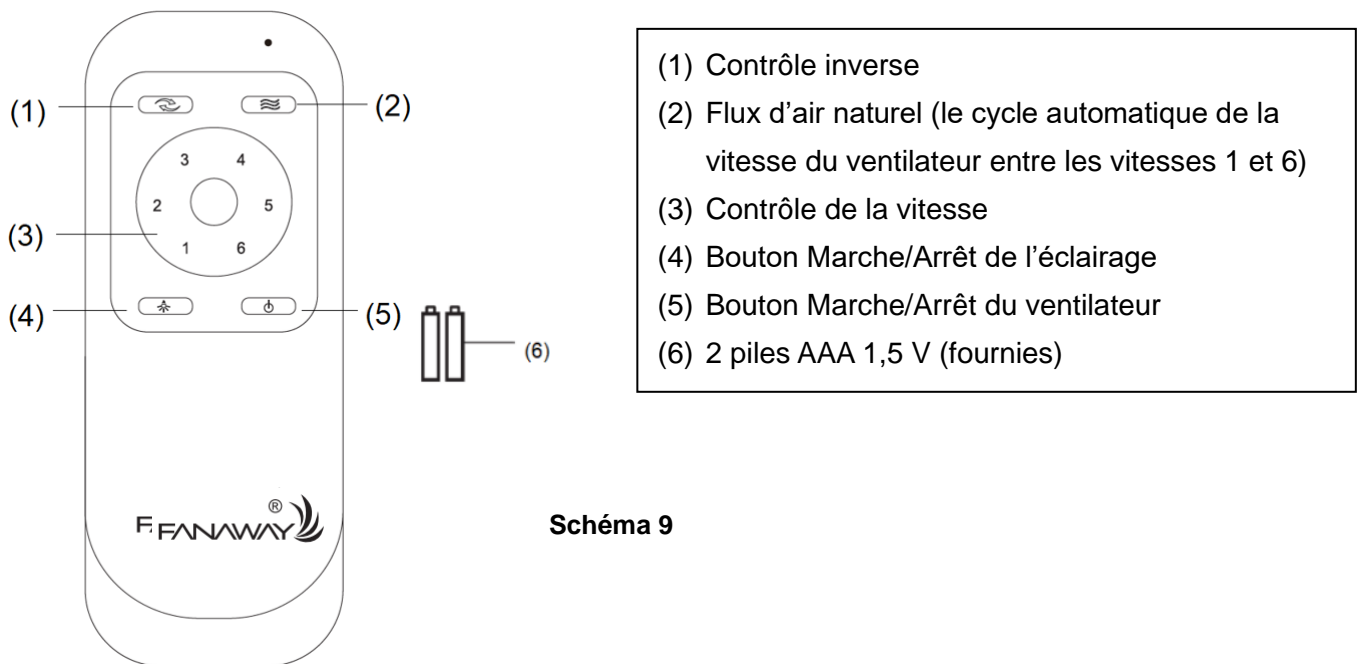
Appairage télécommande/récepteur pour le ventilateur de plafond 2 :

- Coupez l'alimentation électrique des récepteurs des deux ventilateurs de plafond 1 et 2.
- Installez les piles dans la télécommande. Assurez-vous que le sens de polarité des piles est correct.
- Mettez le récepteur 2 sous tension. Maintenez le récepteur 1 hors tension. (Chaque ventilateur de plafond doit avoir son propre interrupteur d'isolation, de manière à ce que seul le ventilateur de plafond qui doit être appairé avec la télécommande soit sous tension).
- Appuyez et maintenez le bouton  de la **télécommande 2** enfoncé pendant 3 à 5 secondes dans les 30 secondes qui suivent la mise sous tension du récepteur du ventilateur de plafond 2.
- Vous entendrez un « bip » de notification du récepteur indiquant que le processus d'appairage a réussi.
- Allumez et modifiez la vitesse du ventilateur de plafond 2 à l'aide de la télécommande pour vérifier le bon fonctionnement et la réussite du processus d'appairage.

Si l'appariement a échoué, répétez ces étapes une nouvelle fois.



TÉLÉCOMMANDE (Schéma 9)



L'éclairage LED comporte une fonction d'intensité variable à 3 niveaux contrôlée par un bouton Marche/Arrêt d'éclairage à distance.

Lorsque l'éclairage LED est allumé et au niveau de luminosité 100 %, appuyez sur le bouton d'éclairage « Marche puis Arrêt dans les 5 secondes », pour réduire l'éclairage LED. Appuyez à nouveau sur le bouton Marche de l'éclairage, puis sur Arrêt dans les 5 secondes pour réduire encore l'intensité dans l'ordre suivant : Luminosité 100 % → Luminosité 60 % → Luminosité 10 % → Luminosité 100 %.

Pour revenir à tout moment au niveau de luminosité 100 %, éteignez l'éclairage, puis attendez 5 secondes et rallumez. Il repasse alors au niveau de luminosité 100 %.

RÉ-APPAIRAGE TÉLÉCOMMANDE/RÉCEPTEUR – 1 VENTILATEUR DE PLAFOND INSTALLÉ

- Si la télécommande et le récepteur perdent le contrôle après l'installation ou en cours d'usage, l'appariement de la télécommande et du récepteur doit être rétabli.
- Vous trouverez ci-dessous les symptômes des problèmes de fonctionnement et la méthode de rétablissement de l'appariement de la télécommande et du récepteur.

Symptômes :

- Perte de contrôle - Le ventilateur ne fonctionne qu'à vitesse rapide après l'installation
- Perte de contrôle - Pas de fonctionnement inverse après l'installation
- Perte de contrôle - La télécommande ne peut pas communiquer avec le récepteur



Étapes de ré-appairage:

- Coupez l'alimentation principale du ventilateur de plafond pendant 30 secondes.
- Allumez l'alimentation principale du ventilateur de plafond. Suivez le même processus que celui décrit dans le paragraphe « appariement de la télécommande et du récepteur » pour restaurer l'appariement.
- Mettez le ventilateur de plafond en marche et sélectionnez différentes vitesses pour vérifier le fonctionnement du ventilateur.

APRÈS L' INSTALLATION

TREMBLEMENTS :

REMARQUE : Les ventilateurs de plafond ont tendance à bouger quand ils fonctionnent du fait qu'ils sont montés sur un œillet en caoutchouc. Si le ventilateur était monté de façon rigide au plafond, cela causerait des vibrations excessives. Un mouvement de quelques centimètres est acceptable et N'INDIQUE PAS UN PROBLÈME.

POUR RÉDUIRE LES TREMBLEMENTS DU VENTILATEUR :

Veillez à ce que toutes les vis de fixation du support de montage soient bien serrées.

REMARQUE : Ce ventilateur a fait l' objet d' un équilibrage de précision en usine et n' a donc pas besoin d' être rééquilibré.

BRUIT :

Lorsque l'ambiance est calme (en particulier la nuit), il se peut que vous entendiez de faibles bruits occasionnels. De légères fluctuations de l'alimentation électrique et des signaux de fréquence superposés dans l'électricité pour le contrôle de la production d'eau chaude en période creuse peuvent entraîner un changement du bruit du moteur du ventilateur. Ce phénomène est normal. Veuillez prévoir une période de « rodage » de 24 heures : la plupart des bruits associés à un ventilateur neuf disparaissent pendant cette période.

Veillez noter que cela n'indique pas un défaut du produit et n'est donc pas couvert par la garantie : tous les moteurs électriques sont plus ou moins audibles.

ENTRETIEN ET NETTOYAGE

REMARQUE : Coupez toujours l'alimentation au niveau de l'interrupteur secteur avant tout entretien ou toute tentative de nettoyage du ventilateur.

- Le seul entretien requis est un nettoyage tous les 6 mois de votre ventilateur de plafond. Utilisez une brosse à poils souples ou un chiffon non pelucheux pour éviter de rayer la peinture. Veuillez couper l'alimentation secteur lors de cette opération.
- Ne trempez pas ou n'immergez pas le ventilateur de plafond dans l'eau ou dans d'autres liquides. Cela



pourrait endommager le moteur ou les pales et créer un risque de choc électrique.

- Veillez à ce que le ventilateur n'entre pas en contact avec des solvants organiques ou des détergents.
- Pour nettoyer les pales du ventilateur, essuyez-les avec un chiffon propre et humide seulement, sans solvant organique ni détergent.
- Le moteur dispose d'un roulement à billes lubrifié en permanence, il n'y a donc pas besoin de l'huiler.

CONSIGNES DE SÉCURITÉ CONCERNANT LES PILES

- **AVERTISSEMENT** – Maintenez les piles neuves et usagées hors de portée des enfants.
- **ATTENTION** – Ne pas ingérer les piles, risque de brûlure chimique.
- Utilisez toujours 2 piles de type AAA avec la télécommande de ce ventilateur de plafond.
- Les piles doivent être insérées dans le sens de polarité indiqué.
- Afin d'éviter une mise en marche inattendue pendant l'insertion ou le remplacement des piles, ce ventilateur de plafond doit être débranché de l'alimentation secteur.
- Retirez la pile du produit lorsqu'il n'est pas utilisé pendant longtemps.
- Les piles doivent être retirées de la télécommande avant d'être jetées.
- Jetez les piles épuisées immédiatement et de manière sécurisée (afin qu'elles ne puissent pas être récupérées par des enfants). Les piles usées restent dangereuses. Contactez les autorités locales pour éliminer les piles en toute sécurité.
- Vérifiez régulièrement le produit et assurez-vous que le couvercle du compartiment des piles est bien fermé. Si le compartiment des piles ne peut pas être fermé solidement, cessez d'utiliser le produit et maintenez-le hors de portée des enfants.
- Si vous pensez que des piles ont peut-être été avalées ou mises dans une partie du corps, consultez immédiatement un médecin. Si vous pensez que votre enfant a avalé ou inséré une pile bouton, appelez le numéro d'urgence de votre pays si vous êtes en Europe pour obtenir rapidement un avis d'expert.
- Fuites de piles : Les piles contiennent des produits chimiques et doivent être traitées comme tout produit chimique. Prenez des précautions lors de la manipulation de produits chimiques sortis d'une pile qui fuit. Les produits chimiques des piles ne doivent en aucun cas être ingérés ni entrer en contact avec les yeux. Appelez le numéro d'urgence de votre pays si vous êtes en Europe pour obtenir rapidement un avis d'expert.



-

INFORMATIONS TECHNIQUES

Ventilateur	Ventilateur CC 36" – Fanaway Orbit
Modèles de ventilateurs	VENTILATEUR CTC LD-36 (SKU# 210664/210665/210666)
Tension nominale	220-240 V~ 50 Hz
Puissance nominale (moteur)	25 W
Puissance nominale (ampoule)	25 W, 2000 LM, 3000 K, variable (3 réglages)
Piles pour télécommande	2 piles AAA (fournies)
Poids	7,2 kg
Dimensions du cache	H : 60 mm Dia : 150 mm

INFORMATIONS SUR LA GARANTIE

EN EUROPE – Si vous êtes un client européen, veuillez contacter le magasin d'achat du ventilateur afin de faire valoir la garantie.





GRACIAS POR SU COMPRA

Gracias por la compra de lo último en ventiladores de techo de bajo consumo. Este ventilador utiliza una corriente CC (corriente continua) para conseguir un gran ahorro de energía y proporcionar un volumen de desplazamiento de aire elevado y una operación silenciosa.

Ahorro de energía - El motor CC incorpora la última tecnología en diseño de ventiladores. Su motor de alta eficiencia ahorra hasta un 65 % más de energía que los ventiladores de techo con motores CA tradicionales.

Operación silenciosa – El ventilador con motor CC está programado con una corriente estabilizada que reduce el ruido del motor eficientemente.


Baja temperatura de funcionamiento – Gestión efectiva de la alimentación CC para rebajar la temperatura de funcionamiento del motor a menos de 50 °C. Con esto se consigue un motor más frío que el de un ventilador CA estándar y se aumenta la longevidad del motor.

Mando a distancia con 6 velocidades - Los ventiladores CA normales solo disponen de 3 velocidades. Este ventilador CC incluye un mando a distancia con 6 velocidades que le proporciona más opciones en cuanto a niveles de confort.

MEDIDAS DE SEGURIDAD

1. Este aparato puede ser utilizado por niños mayores de 8 años y por personas con minusvalías físicas, sensoriales o mentales, o que no cuenten con la experiencia y los conocimientos necesarios, siempre que estén supervisados o hayan sido instruidos sobre el uso seguro del aparato y entiendan los peligros que conlleva. Las tareas de limpieza y mantenimiento no podrán ser realizadas por niños sin la debida supervisión.
2. Se deberá vigilar a los niños para asegurarse de que no jueguen con el aparato.
3. De conformidad con el reglamento local sobre cableados, se deberá incorporar un interruptor de desconexión onnipolar en el cableado fijo.



4.  No deseche los aparatos eléctricos como desechos sin clasificar. Utilice los puntos de recogida selectiva o centros de reciclaje designados para este propósito. Póngase en contacto con las autoridades locales para que le informen sobre los sistemas de recogida disponibles. De acabar en los vertederos o basureros, los aparatos eléctricos pueden desprender sustancias nocivas que podrían contaminar las capas freáticas y entrar en la cadena alimenticia, con el consecuente peligro para la salud y el bienestar.
5. La estructura a la que el ventilador debe montarse debe ser capaz de soportar 32 kg.
6. El ventilador deberá montarse de tal manera que las aspas estén, como mínimo, a 2,3 m del suelo.
7. Este ventilador es apropiado para áreas de interior y al aire libre donde esté totalmente cubierto y con 2



paredes como mínimo. Este ventilador no es resistente al agua. Cuando se instale en un lugar al aire libre, el ventilador de techo debe ubicarse en un lugar protegido del agua, el viento, el polvo y la sal. La exposición a estos elementos anulará la garantía. Montar el ventilador en un lugar donde quede expuesto al agua o la humedad es peligroso y puede aumentar el riesgo de daños, lesiones o choques eléctricos.

8. **ADVERTENCIA:** Si se observara un movimiento inusual de oscilación o bamboleo, deje de usar el ventilador de techo inmediatamente y póngase en contacto con el fabricante, su agente de servicio técnico o personas debidamente calificadas.
9. La sustitución de las piezas del sistema de suspensión de seguridad deberá llevarla a cabo el fabricante, su agente de servicios o personas debidamente calificadas.
10. Los elementos para sujetarlo al techo, como ganchos u otros elementos, deberán fijarse con suficiente firmeza para soportar 4 veces el peso del ventilador de techo. El montaje del sistema de suspensión deberá efectuarlo el fabricante, su agente de servicios o personas debidamente calificadas.
11. La fuente de luz de la lámpara no puede ser reemplazada por el usuario. Sólo puede ser reemplazada por el fabricante, su agente de servicios o una persona similarmente acreditada. La pantalla de la lámpara **NO DEBE** quitarse durante las tareas de limpieza y mantenimiento ni en ninguna otra circunstancia.



LISTA DE PIEZAS

- Desembale el ventilador de techo con cuidado. Saque todas las piezas y la tornillería.
- Deposite todos los componentes sobre una superficie lisa y asegúrese de que no falte ninguno antes de comenzar el montaje. Si falta alguna pieza, devuelva el producto completo al lugar donde realizó la compra para que lo examinen o reemplacen.
- Compruebe que el ventilador de techo no haya sufrido algún daño durante el transporte. Nunca utilice o instale un producto que parezca sufrir algún daño. Devuelva el producto completo al lugar donde realizó la compra para que lo examinen, reparen o reemplacen.
- Asegúrese de que se incluyan las siguientes piezas:

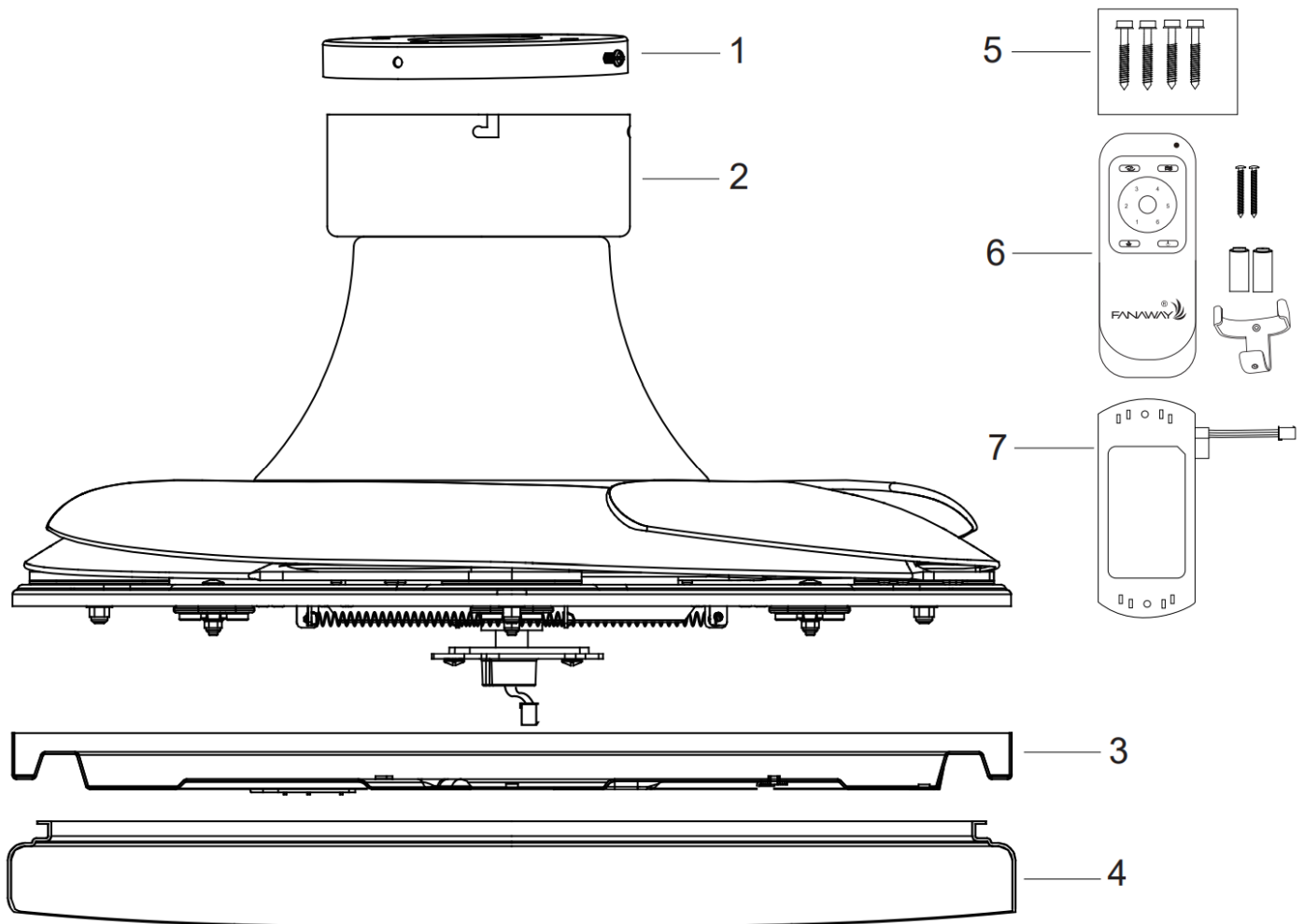


Fig. 1

1	Soporte de montaje x 1	5	Tornillos de fijación x 4 uds.
2	Conjunto del ventilador x 1	6	Mando a distancia x 1 set
3	Placa de la lámpara x 1	7	Receptor x 1 set
4	Lámpara con led y pantalla x 1		



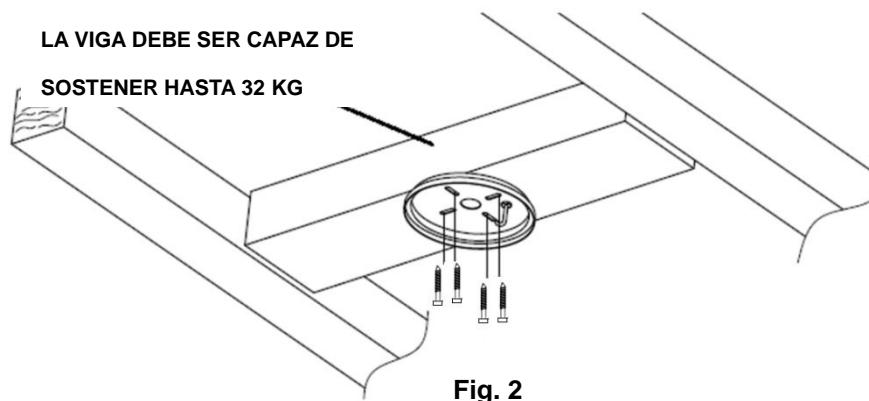
INSTALACIÓN DEL VENTILADOR

HERRAMIENTAS REQUERIDAS:

- Destornillador Phillips/punta plana
- Alicata
- Llave inglesa
- Escalera
- Cortacables
- Cableado y cable de corriente, conforme a lo requerido por los reglamentos y las normas nacionales y provinciales

INSTALACIÓN DEL SOPORTE DE TECHO

- El ventilador de techo debe instalarse en un lugar donde las puntas de las aspas estén a una distancia mínima de 300 mm de las paredes y los objetos más cercanos.
- Con los 4 tornillos largos suministrados, instale el soporte a una viga o una estructura del techo capaz de soportar, al menos, 32 kg de peso. Asegúrese de enroscar los tornillos 30 mm como mínimo en el soporte. (Fig. 2)



NOTA: Los tornillos del soporte solo deben usarse con estructuras de madera. Para estructuras diferentes a la madera, DEBERÁ utilizarse el tipo de tornillo adecuado. Asegúrese de que los tornillos sean los apropiados para la superficie de montaje y su alrededor.

INSTALACIÓN EN UN TECHO INCLINADO

El sistema colgante de este ventilador SOLO es adecuado para instalaciones en techos planos.

NO instale el ventilador en un techo inclinado.



CÓMO COLGAR EL VENTILADOR

- Alce el conjunto del ventilador (1) y móntelo en el soporte de techo. Alce el conjunto del ventilador y cuélguelo en el gancho en «J» (2) del soporte de techo. (Fig. 3)

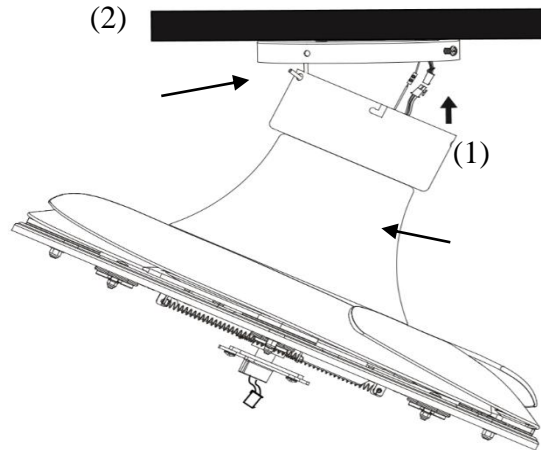


Fig. 3

- Complete el cableado eléctrico siguiendo el apartado DIAGRAMA DEL CABLEADO ELÉCTRICO más abajo.

PREPARE Y COMPLETE EL CABLEADO ELÉCTRICO --- DIAGRAMA DEL CABLEADO (FIG. 4)

NOTA: EL CABLEADO FIJO DEBERÁ INCORPORAR UN INTERRUPTOR DE DESCONEXIÓN OMNIPOLAR ADICIONAL.

NOTA: CUANDO HAYA DOS O MÁS VENTILADORES DE TECHO DE CORRIENTE CONTINUA INSTALADOS EN UN MISMO LUGAR, SERÁ NECESARIO UN INTERRUPTOR DE AISLAMIENTO PARA CADA VENTILADOR DE TECHO. ESTO ES REQUERIDO A LA HORA DE PROGRAMAR EL MANDO A DISTANCIA Y EL RECEPTOR PARA SU EMPAREJAMIENTO.

Del suministro de corriente a la clema del soporte de techo: (Fig. 4)

1. Conecte el cable de fase a la terminal «L» de la clema del soporte de techo.
2. Conecte el cable neutro de la corriente al terminal «N» de la clema del soporte de techo.
3. Conecte el cable de tierra al terminal de tierra de la clema del soporte de techo.

Del soporte de techo al receptor y el motor: (Fig. 4)

1. Conecte el conector del cable de suministro del soporte de montaje a la entrada del receptor remoto CC.
2. Conecte los cables de salida del receptor de la señal del mando a distancia (desde el soporte de techo con el cable de tierra) al conector de salida del receptor de la señal del mando a distancia (Fig. 4). Conecte los cables de salida del receptor de la señal del mando a distancia con el cable de tierra (desde el soporte de techo con el cable de tierra) al conector de entrada del motor del ventilador (Fig. 4).
3. Conecte los cables de salida del receptor de la señal del mando a distancia a los cables de entrada de la



lámpara del ventilador.

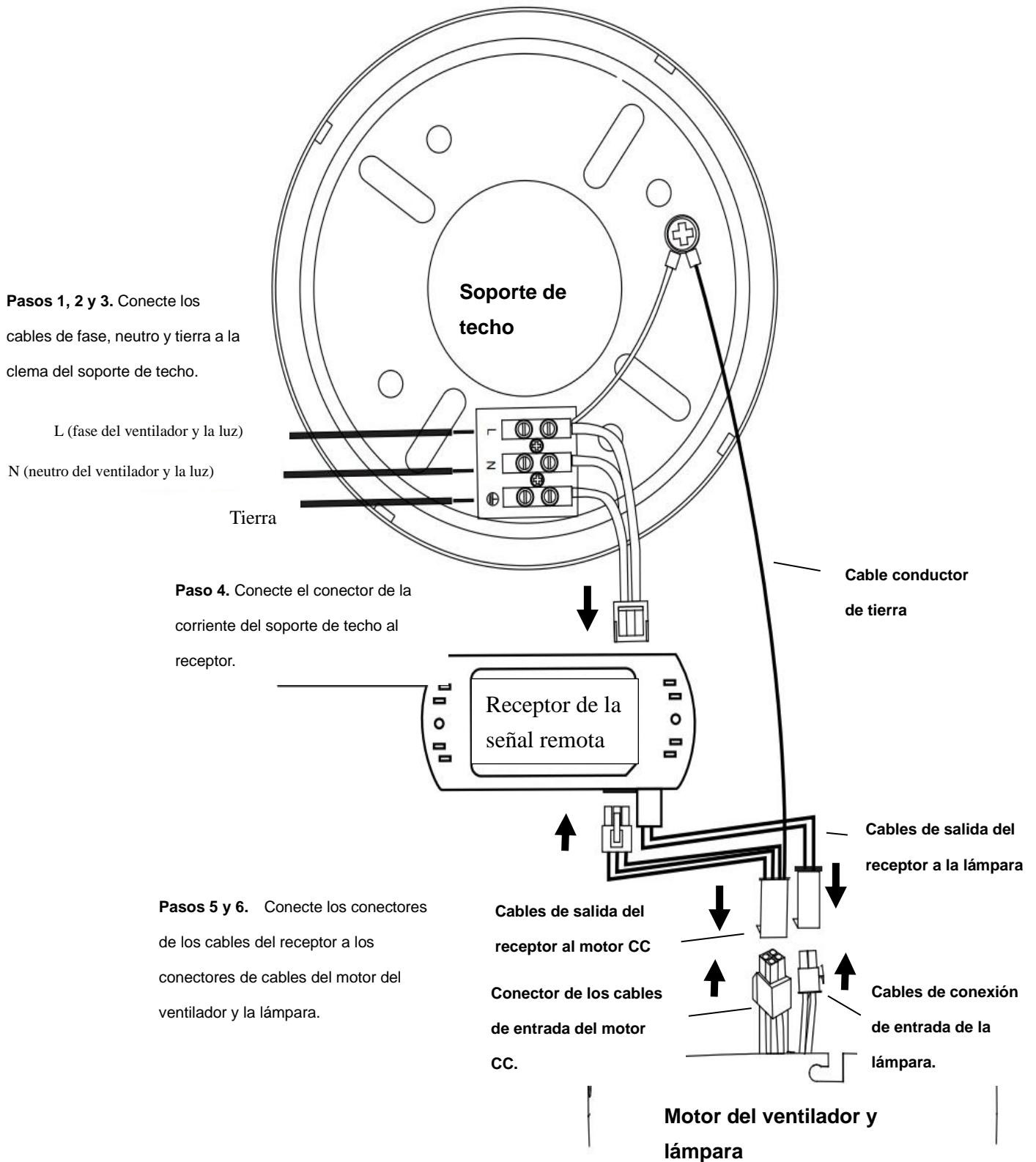


Fig. 4

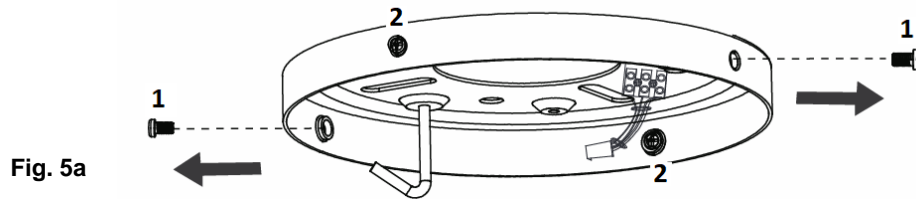


INSTALACIÓN DEL CONJUNTO DEL VENTILADOR AL SOPORTE DE TECHO

- Una vez completadas las conexiones eléctricas de la clema del soporte de techo, conecte el cableado del ventilador de techo mediante el conector rápido.
- **NOTA: Compruebe que el cableado de toma a tierra sea seguro y correcto realizando una prueba de continuidad de la conexión a tierra desde el cuerpo metálico accesible del ventilador hasta el terminal de tierra en la clema del soporte de techo.**

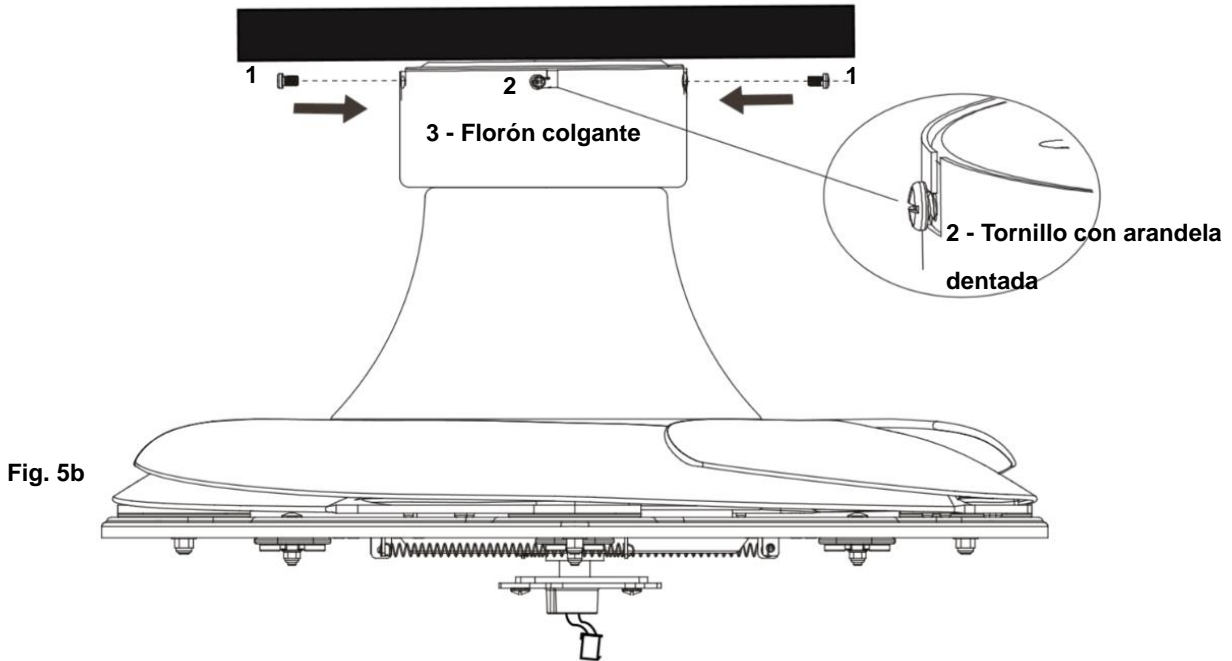
Instale el conjunto del ventilador al soporte de techo (Fig. 5a).

- Afloje los dos tornillos del florón (1) y retire del soporte de techo.
- Afloje los dos tornillos con la arandela dentada (2) del soporte de techo hasta mitad de rosca. (Para montar la ranura en «L» del florón).



- Alce el florón colgante (3) del conjunto del ventilador hasta el soporte de techo y pase la ranura en «L» del florón colgante (3) por los tornillos del florón con las arandelas dentadas (2). (Fig. 5b)
- Gire el florón colgante (3) hasta el tope de la ranura en «L» y asegúrese de que las arandelas dentadas estén entre el florón colgante (3) y el cabezal de los tornillos. Asegúrelo apretando los dos tornillos del florón con las arandelas dentadas (2).
- Asegure y apriete los tornillos del florón (1) al soporte de techo. El florón colgante (3) debe tener 4 tornillos (1) y (2) en total. Evite dañar los cables eléctricos conectados anteriormente cuando cuelgue el florón.





INSTALACIÓN DE LA LÁMPARA

INSTALACIÓN DE LA LÁMPARA (Fig. 6 y 7)

1. Afloje el tornillo (2) del soporte del ventilador. Alinee los dos tornillos de cabeza ranurada (1 y 3) con las ranuras de llave (1 y 3) del soporte de la placa de la lámpara. (Fig. 6)
2. Gire la placa de la lámpara en sentido antihorario hasta que los tornillos de cabeza ranurada (1 y 3) estén correctamente posicionados en los extremos de las ranuras (1 y 3).
3. Apriete el tornillo (2) a la placa de la lámpara. Apriete los tres tornillos. No apriete en exceso.

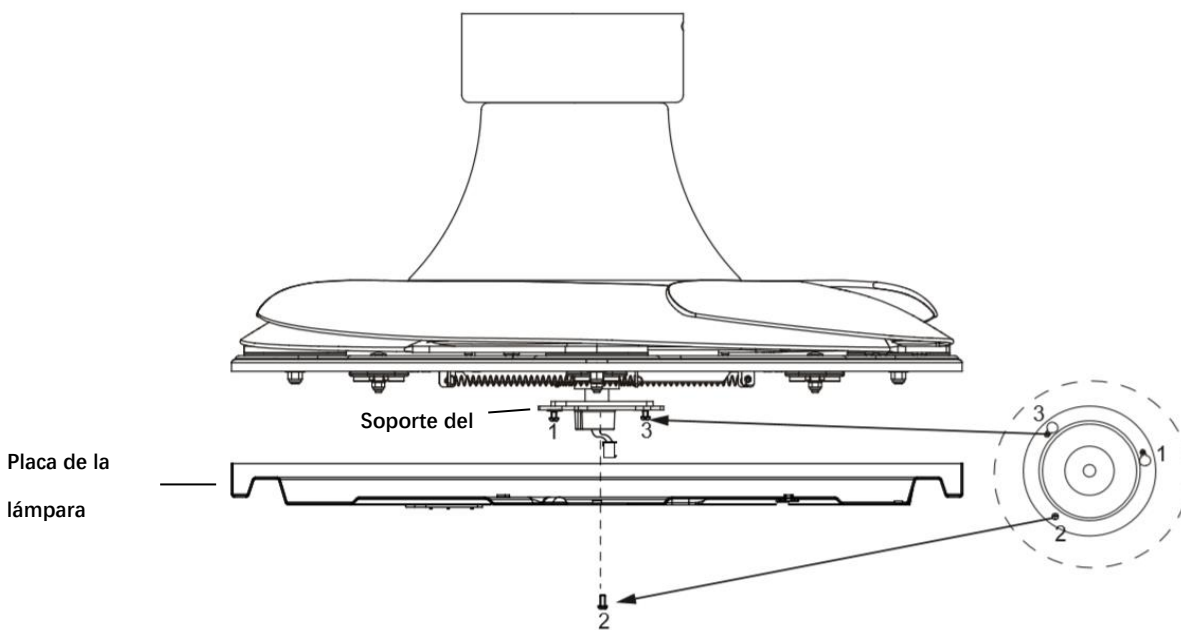
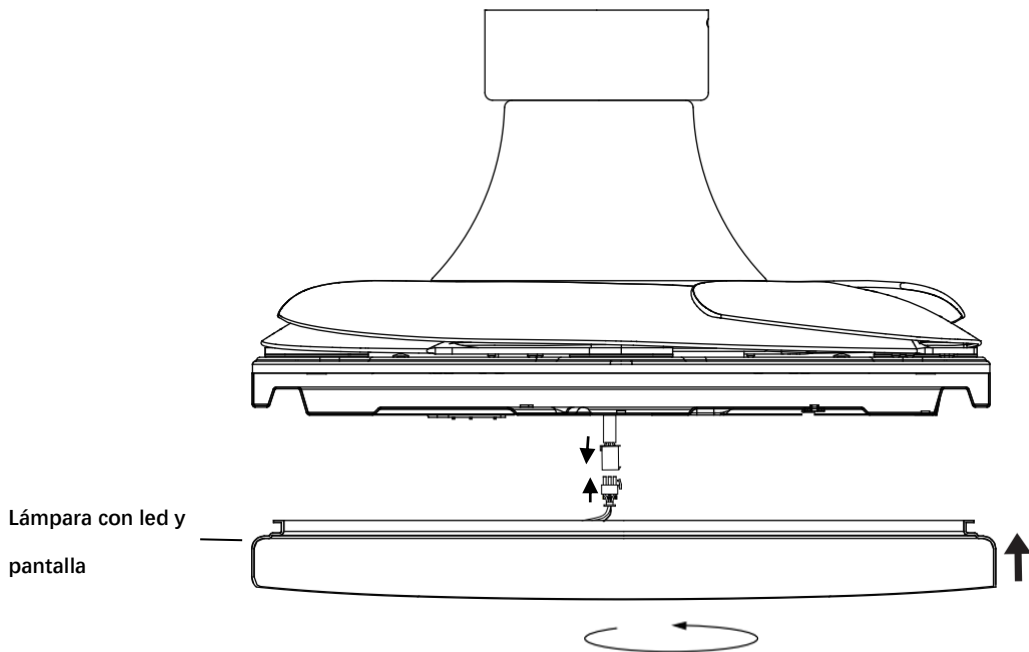


Fig. 6

4. Conecte el conector rápido a la lámpara con led y pantalla. (Fig. 7)



- Por último, instale la lámpara con led y pantalla a su placa girándola en sentido horario (Fig. 7).



INSTALACIÓN DEL PORTAMANDOS (Fig. 8)

- Elija un lugar apropiado de una pared para fijar el portamandos con 2 tornillos. (Fig. 8a).
- Introduzca el mando a distancia en el portamandos. (Fig. 8b)

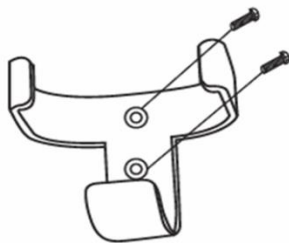


Fig. 8a



Fig. 8b



CÓMO USAR SU VENTILADOR DE TECHO

NOTA: El mando a distancia y el receptor deben ser emparejados una vez instalado el ventilador de techo.


NOTA: Cuando haya dos o más ventiladores de techo próximos unos a otros, consulte las instrucciones de la página siguiente.



EMPAREJAMIENTO DEL MANDO A DISTANCIA Y EL RECEPTOR - CUANDO HAY 1 VENTILADOR DE TECHO CC INSTALADO EN UN LUGAR

NOTA: Asegúrese de haber instalado un interruptor de desconexión unipolar en el cableado fijo para el ventilador.

NOTA: Asegúrese de que el receptor esté activado antes de emparejar el mando a distancia al receptor.

- Apague el ventilador mediante el interruptor de la pared.
- Instale las pilas en el mando a distancia. Asegúrese de que la pila esté colocada en el sentido correcto de la polaridad.
- Encienda el ventilador para activar el receptor.
- En un plazo de 30 segundos tras activar el receptor del ventilador de techo, pulse el botón  del mando a distancia durante 3-5 segundos.
- Se escuchará un aviso sonoro desde el receptor para indicar que el emparejamiento se ha efectuado correctamente.
- Encienda el ventilador de techo y cambie su velocidad con el mando a distancia para comprobar que funciona correctamente y que el emparejamiento se ha realizado con éxito.
- En caso de no llegar a emparejarse, repita estos pasos de nuevo.

EMPAREJAMIENTO DEL MANDO A DISTANCIA Y EL RECEPTOR - CUANDO HAYA 2 O MÁS VENTILADORES DE TECHO DE CC INSTALADOS EN UN MISMO LUGAR

Cuando haya dos o más ventiladores próximos, tal vez desee emparejar el mando a distancia/receptor para cada ventilador de manera que el funcionamiento de un ventilador no afecte al de los demás.


NOTA: Asegúrese de haber instalado un interruptor de desconexión unipolar en el cableado residencial para cada ventilador.

NOTA: Asegúrese de que el receptor esté encendido (**ON**) antes de emparejar el mando a distancia con el receptor.


Emparejamiento del mando a distancia/receptor del ventilador de techo 1:

- Desconecte la alimentación de los receptores de ambos ventiladores 1 y 2.
- Instale las pilas en el mando a distancia. Asegúrese de que la pila esté colocada en el sentido correcto de la polaridad.
- Active la alimentación del receptor 1. Mantenga apagado el receptor 2. (Cada ventilador de techo deberá tener su propio interruptor de aislamiento, de modo que solo esté encendido el ventilador de techo que necesite emparejarse con el mando a distancia).



- En un plazo de 30 segundos tras encender el ventilador 1 y activar su receptor, pulse el botón “” del **mando a distancia 1** durante 3-5 segundos.
- Se escuchará un aviso sonoro desde el receptor para indicar que el emparejamiento se ha efectuado correctamente.
- Encienda el ventilador de techo 1 y cambie su velocidad con el mando a distancia para comprobar que funciona correctamente y que el emparejamiento se ha realizado con éxito.
- En caso de no llegar a emparejarse, repita estos pasos de nuevo.

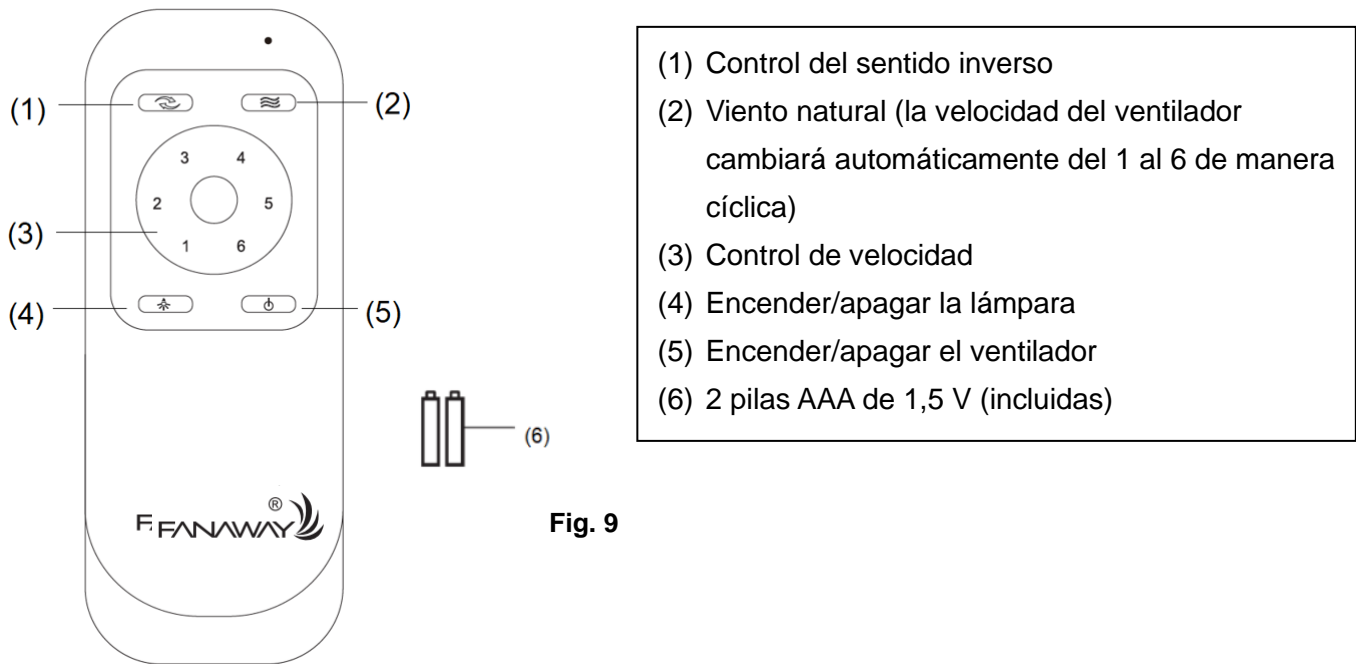
Emparejamiento del mando a distancia / receptor del ventilador de techo 2:

- Desconecte la alimentación de los receptores de ambos ventiladores 1 y 2.
- Instale las pilas en el mando a distancia. Asegúrese de que la pila esté colocada en el sentido correcto de la polaridad.
- Active la alimentación del receptor 2. Mantenga desactivada a alimentación del receptor 1. (Cada ventilador de techo deberá tener su propio interruptor de aislamiento, de modo que solamente esté encendido el ventilador de techo que necesite emparejarse con el transmisor).
- En un plazo de 30 segundos tras encender el ventilador de techo 2 y activar su receptor, pulse el botón “” del **mando a distancia 2** durante 3-5 segundos.
- Se escuchará un aviso sonoro desde el receptor para indicar que el emparejamiento se ha efectuado correctamente.
- Encienda y cambie la velocidad del ventilador de techo 2 con el mando a distancia para comprobar que funciona correctamente y que el emparejamiento se ha realizado con éxito.

En caso de no llegar a emparejarse, repita estos pasos de nuevo.



MANDO A DISTANCIA (Fig. 9)



La lámpara led tiene 3 niveles de atenuación que se controlan desde el botón de encendido/apagado de la luz del mando a distancia.

Cuando la lámpara led está encendida con 100% de brillo, pulse el botón de encendido y luego el de apagado en un plazo de 5 segundos para atenuar la luz de la lámpara led. Vuelva a pulsar el botón de encendido y luego el de apagado en un plazo de 5 segundos para continuar atenuando la luz en esta secuencia: 100% brillo → 60% brillo → 10% brillo → 100% brillo

Para volver al 100% de brillo desde cualquier nivel, apague la lámpara y espere más de 5 segundos antes de volver a encenderla. Se restablecerá el 100% de brillo.

REEMPAREJAMIENTO DEL MANDO A DISTANCIA Y EL RECEPTOR – CUANDO HAY UN SOLO VENTILADOR INSTALADOR

- Si perdiera la conexión entre el receptor y el mando a distancia tras la instalación o durante su uso, emparejélos de nuevo.
- A continuación se describen los indicios de un mal funcionamiento y el método para volver a emparejar el receptor y el mando a distancia del ventilador de techo CC.

Indicios de mal funcionamiento:

- Pérdida de control - El ventilador solo funciona una velocidad alta después de la instalación.
- Pérdida de control - La función de cambio de sentido no funciona después de la instalación.
- Pérdida de control - El mando a distancia no se puede comunicar con el receptor

Pasos para el reemparejamiento:

- Apague el ventilador de techo durante 30 segundos.
- Abra la corriente del ventilador de techo. Siga el mismo procedimiento descrito en el apartado 'Emparejamiento del mando a distancia y el receptor' para restablecer el emparejamiento.
- Encienda y seleccione una velocidad diferente del ventilador de techo para comprobar el funcionamiento del ventilador.

DESPUÉS DE LA INSTALACIÓN

BAMBOLEO:

NOTA: Los ventiladores de techo tienden a moverse cuando están en funcionamiento debido a que están montados sobre una arandela de goma. Si el ventilador estuviera montado rígidamente al techo, generaría demasiadas vibraciones. Un movimiento de unos pocos centímetros es bastante aceptable y NO indica que haya un problema.

CÓMO REDUCIR EL BAMBOLEO DEL VENTILADOR:

Revise todos los tornillos que fijan el soporte de techo.

NOTA: Este ventilador viene equilibrado con precisión de fábrica y no necesita ser equilibrado de nuevo.

RUIDO:

En los momentos silenciosos (sobre todo por la noche), puede que en ocasiones escuche ruidos tenues. Leves fluctuaciones de la corriente y frecuencias de señales superpuestas en la corriente para el control del agua caliente durante horas no puntas pueden causar cambios en el ruido del motor del ventilador. Esto es algo normal. Permita un periodo de adaptación de 24 horas. Tras este periodo, la mayoría de los ruidos asociados con su nuevo ventilador deberían haber desaparecido.

Entienda que esto no es un fallo del producto y por tanto no está cubierto por la garantía –todos los motores eléctricos son audibles hasta cierto punto–.

CUIDADO Y LIMPIEZA

NOTA: Apague siempre el ventilador desde el cuadro eléctrico antes de llevar a cabo cualquier tarea de mantenimiento o limpieza.

- El único mantenimiento que requiere su ventilador de techo es una limpieza cada 6 meses. Utilice un cepillo blando o un paño que no deje pelusa para no rayar el acabado de pintura. Corte la corriente de la red cuando haga esto.
- No moje ni sumerja el ventilador de techo en el agua u otros líquidos. Esto podría dañar el motor o las aspas y dar pie a posibles choques eléctricos.



- Asegúrese de que el ventilador no entre en contacto con disolventes orgánicos o detergentes.
- Para limpiar las aspas del ventilador, basta con pasar un paño humedecido SIN usar disolventes orgánicos ni detergentes.
- El motor tiene un rodamiento con lubricación permanente, por lo que no es necesario engrasarlo.

MEDIDAS DE SEGURIDAD CON LAS PILAS

- **ADVERTENCIA** – Mantenga las pilas nuevas y usadas fuera del alcance de los niños.
- **PRECAUCIÓN** – No ingerir las pilas—Riesgo de quemaduras químicas.
- Utilice siempre 2 pilas tipo AAA con el mando a distancia del ventilador de techo.
- Asegúrese de que las pilas estén instaladas en el sentido correcto de la polaridad.
- Para evitar el funcionamiento accidental del ventilador de techo al instalar o sustituir las pilas, desconéctelo de la corriente.
- Retire las pilas del producto cuando no lo vaya a utilizar durante un largo periodo de tiempo.
- Las pilas deben retirarse del mando a distancia antes de desecharlo.
- Deseche las pilas agotadas inmediatamente y de forma segura (para que no puedan acabar en manos de los niños). Las pilas pueden seguir siendo peligrosas. Póngase en contacto su ayuntamiento para deshacerse de las pilas de una manera segura.
- Examine periódicamente el producto y asegúrese de que la tapa del compartimento de las pilas esté bien cerrada. Si el compartimento de las pilas no se cerrara bien, deje de usar el producto y guárdelo en un lugar fuera del alcance de los niños.
- Si sospecha que alguna pila ha podido ser ingerida o introducida en alguna parte del cuerpo, solicite atención médica inmediatamente. Si sospecha que su hijo/a ha ingerido o se ha introducido una pila de botón, llame al número de urgencias de su país –si está en Europa– para recibir un asesoramiento experto y expeditivo sobre cómo proceder.
- Fugas de las pilas: Las pilas contienen sustancias químicas y deben ser tratada como cualquier otro químico. Tome precauciones cuando manipule los químicos fugados de las pilas. Las sustancias químicas de las pilas no deben acercarse a los ojos o ingerirse. Llame al número de urgencias de su país –si está en Europa– para recibir un asesoramiento experto y expeditivo sobre cómo proceder.



INFORMACIÓN TÉCNICA

Ventilador	Ventilador CC de 36" – Fanaway Orbit
Modelos de ventilador	LD-36 CTC FAN (SKU# 210664 / 210665 / 210666)
Tensión nominal	220-240 V~ 50 Hz
Vataje nominal (motor)	25 W
Vataje nominal (lámpara)	25 W, 2000 LM, 3000 K, Atenuable (3 niveles de atenuación)
Pilas para el mando a distancia	2 pilas AAA (incluidas)
Peso	7,2 kg
Dimensiones del florón	Altura: 60 mm Ø: 150 mm

INFORMACIÓN SOBRE LA GARANTÍA

EN EUROPA – Si es un cliente europeo, contacte con la tienda distribuidora donde adquirió el ventilador para obtener los servicios de garantía.





CONGRATULAZIONI PER L'ACQUISTO

Grazie per aver acquistato questo ventilatore a soffitto a risparmio energetico di ultima generazione. Questo ventilatore funziona a corrente continua (CC), che offre un'elevata efficienza energetica pur mantenendo un intenso movimento dell'aria e un funzionamento silenzioso.

Risparmio energetico – Il motore a corrente continua è la più recente tecnologia nella progettazione di ventilatori. Questo tipo di motore a elevata efficienza permette di risparmiare fino al 65% di energia in più rispetto ai ventilatori a soffitto con motori CA tradizionali.

Funzionamento silenzioso – Il motore è programmato con una corrente stabilizzata, che riduce significativamente il rumore di funzionamento.

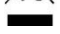
Bassa temperatura di funzionamento – L'alimentazione a corrente continua viene gestita efficacemente, abbassando la temperatura di funzionamento del motore a meno di 50°C. Ciò rende il motore meno caldo rispetto a quelli dei ventilatori CA standard, e ne aumenta la durata di vita.

Telecomando a 6 velocità – Mentre i tradizionali ventilatori a soffitto CA sono generalmente dotati di sole 3 velocità, questo ventilatore CC include un telecomando a 6 velocità per soddisfare tutte le esigenze individuali.

NORME DI SICUREZZA

1. Questo apparecchio può essere usato da bambini di età superiore a 8 anni e da persone con ridotte capacità fisiche, sensoriali o mentali o prive di esperienza o conoscenza, solo se supervisionati o istruiti sull'uso sicuro dell'apparecchio e se comprendono i rischi correlati. Le operazioni di pulizia e manutenzione ordinaria non devono essere effettuate da bambini non supervisionati.
2. Sorvegliare i bambini per accertarsi che non giochino con l'apparecchio.
3. L'impianto elettrico deve essere protetto da un interruttore differenziale, conformemente alle normative elettriche locali.



4.  Non gettare gli apparecchi elettrici insieme ai rifiuti domestici, ma smaltirli presso gli appositi punti di raccolta. Contattare le autorità locali per informazioni sui sistemi di raccolta disponibili. Se gli apparecchi elettrici vengono gettati nelle discariche, le sostanze pericolose che contengono possono infiltrarsi nella falda freatica ed entrare nella catena alimentare, con effetti nocivi su salute e benessere.
5. La struttura su cui verrà installato il ventilatore deve essere in grado di sostenere un peso di 32 kg.
6. Il ventilatore deve essere installato in modo che le pale siano ad almeno 2,3 metri di altezza dal pavimento.
7. Questo ventilatore è adatto ad aree in interni, all'aperto e costiere, purché sia completamente protetto da almeno 2 pareti. Questo ventilatore non è impermeabile. Se collocato in aree all'aperto, il ventilatore



deve essere installato in una posizione protetta da acqua, vento, polvere e sale. L'esposizione a tali elementi comporta l'annullamento della garanzia. L'installazione del ventilatore in una posizione esposta ad acqua o umidità è pericolosa e può aumentare il rischio di danni, lesioni o scossa elettrica.

8. **AVVERTENZA!** In caso di oscillazioni anomale, interrompere immediatamente l'uso del ventilatore a soffitto e contattare il costruttore, il suo centro di assistenza o un tecnico qualificato.
9. La sostituzione delle parti del sistema di sospensione di sicurezza deve essere effettuata dal costruttore, dal suo centro di assistenza o da un tecnico qualificato.
10. I dispositivi di fissaggio del ventilatore al soffitto, ad esempio i ganci, devono essere in grado di sostenere 4 volte il peso del ventilatore; l'installazione del sistema di sospensione deve essere effettuata dal costruttore, dal suo centro di assistenza o da un tecnico qualificato.
11. La fonte luminosa di questo apparecchio di illuminazione non è sostituibile. Deve essere sostituita esclusivamente dal fabbricante, da un suo agente incaricato o da una persona qualificata. Il paralume del kit luce **NON DEVE** essere rimosso durante le operazioni di pulizia e manutenzione o in qualsiasi altra circostanza.



ELENCO DELLE PARTI

- Disimballare il ventilatore con attenzione. Estrarre tutti i componenti e gli accessori.
- Disporre il contenuto su una superficie piana e, prima dell'assemblaggio, assicurarsi che siano presenti tutti i componenti. In caso di componenti mancanti, riportare il prodotto presso il rivenditore affinché venga ispezionato o sostituito.
- Verificare che il ventilatore non abbia subito danni durante il trasporto. Non usare/installare il prodotto se presenta danni di qualsiasi tipo. Riportare il prodotto completo presso il rivenditore affinché venga ispezionato, riparato o sostituito.
- Esaminare tutti i componenti e verificare che corrispondano a quelli elencati di seguito.

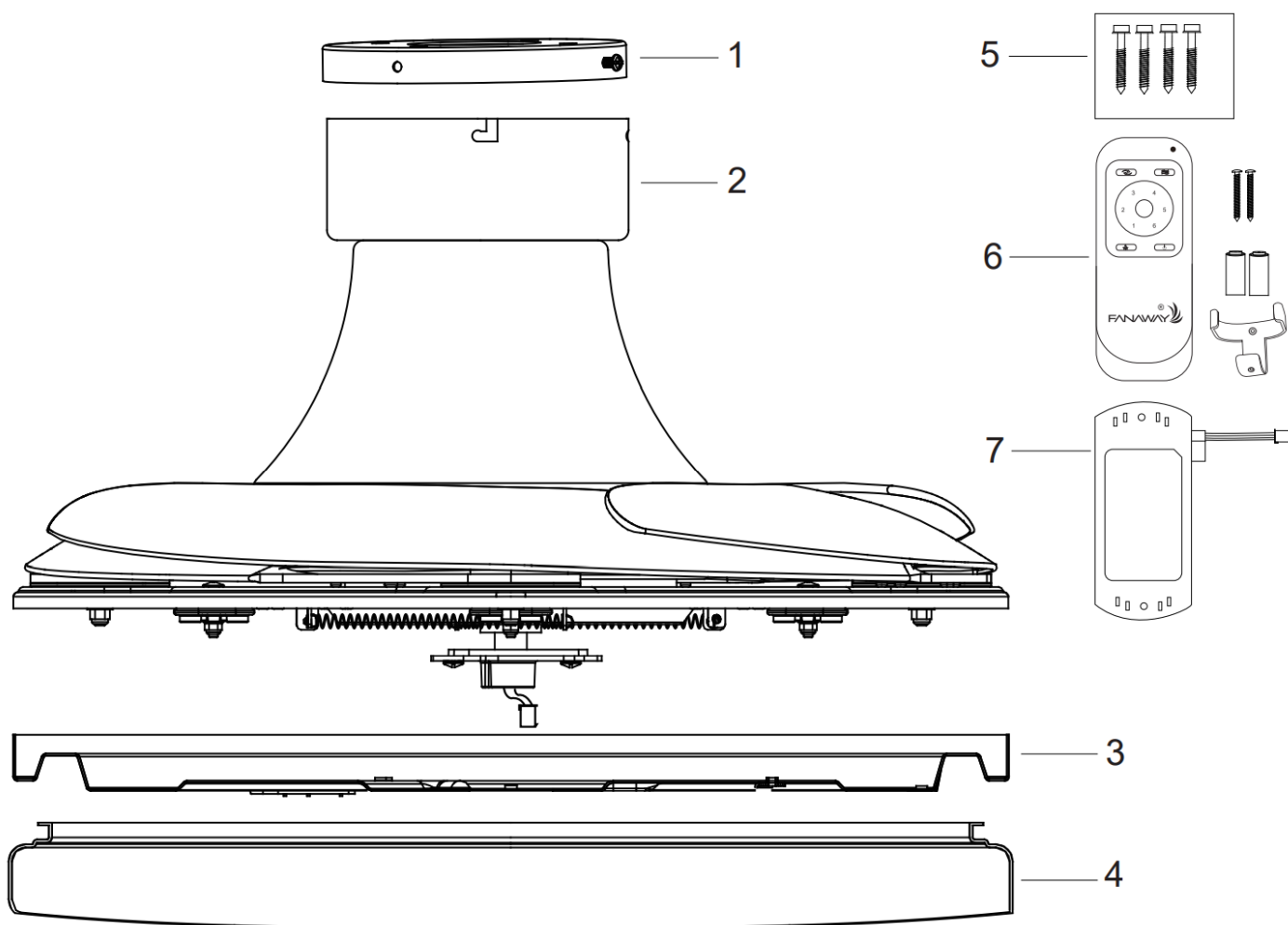


Fig. 1

1	Staffa di supporto x1	5	Viti di montaggio x4
2	Gruppo ventilatore x1	6	Telecomando x1 set
3	Piastra del kit luce x1	7	Ricevitore x1 set
4	Kit luce con LED e paralume x1		



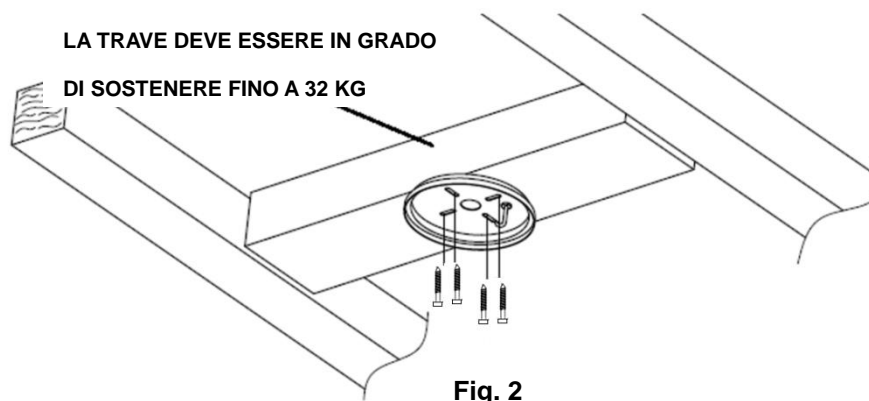
INSTALLAZIONE DEL VENTILATORE

UTENSILI NECESSARI

- Cacciavite a croce/a testa piatta
- Pinza
- Chiave regolabile
- Scala
- Pinza spelafili
- Cavi elettrici e di alimentazione conformi alle normative di cablaggio locali e nazionali

INSTALLAZIONE DELLA STAFFA DI SUPPORTO

- Il ventilatore a soffitto deve essere installato in modo tale che le estremità delle pale siano ad almeno 300 mm di distanza da pareti o oggetti adiacenti.
- Fissare la staffa di supporto a una struttura o una trave del soffitto in grado di sostenere un carico di almeno 32 kg con le 4 viti lunghe fornite. Assicurarsi che almeno 30 mm della vite siano inseriti nella struttura (Fig. 2).



NOTA: le viti di supporto fornite sono destinate esclusivamente a strutture in legno. Per strutture diverse dal legno, è **OBBLIGATORIO** usare viti di tipo appropriato. Assicurarsi che le viti utilizzate siano adatte alla superficie di installazione e all'ambiente circostante.

INSTALLAZIONE ANGOLATA

Il sistema di montaggio di questo ventilatore è destinato **ESCLUSIVAMENTE** a soffitti piani.

NON installare il ventilatore su soffitti angolati.



FISSAGGIO DEL VENTILATORE

- Avvicinare il ventilatore (1) alla staffa di supporto. Fissare il ventilatore al gancio a J (2) sulla staffa di supporto (Fig. 3).

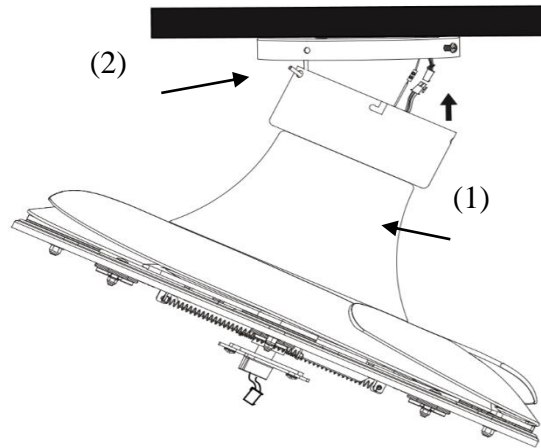


Fig. 3

- Effettuare i collegamenti elettrici come descritto alla sezione "SCHEMA DI CABLAGGIO".

PREPARAZIONE E INSTALLAZIONE DEI CAVI ELETTRICI - SCHEMA DI DIAGRAMMA (FIG. 4)

NOTA: L'IMPIANTO ELETTRICO DEVE ESSERE PROTETTO DA UN INTERRUTTORE DIFFERENZIALE.

NOTA: SE SONO PRESENTI DUE O PIÙ VENTILATORI A SOFFITTO CC NELLO STESSO LUOGO, È NECESSARIO DOTARE CIASCUN VENTILATORE DI UN INTERRUTTORE DI ISOLAMENTO PER GARANTIRE UN CORRETTO ABBINAMENTO DEL TELECOMANDO CON IL RICEVITORE.

Dall'impianto elettrico alla morsettiera sulla staffa di supporto (Fig. 4)

1. Collegare il cavo di fase al terminale "L" della morsettiera sulla staffa di supporto.
2. Collegare il cavo di neutro al terminale "N" della morsettiera sulla staffa di supporto.
3. Collegare il cavo di terra al terminale di terra della morsettiera sulla staffa di supporto.

Dalla staffa di supporto al ricevitore e al motore (Fig. 4)

1. Collegare il connettore dei cavi di alimentazione dalla staffa di supporto all'ingresso del ricevitore del telecomando.
2. Collegare i cavi di uscita del ricevitore del telecomando (dalla staffa di supporto con cavo di terra) all'uscita del ricevitore del telecomando (**Fig. 4**). Collegare i cavi di uscita del ricevitore del telecomando con cavo di terra (dalla staffa di supporto con cavo di terra) all'ingresso del motore del ventilatore (**Fig. 4**).
3. Collegare i cavi di uscita del ricevitore del telecomando ai cavi di ingresso del kit luce.



Passaggio 1, 2 e 3. Collegare i cavi di fase, neutro e terra alla morsettiera della staffa di supporto.

L (fase ventilatore e luce)
 N (neutro ventilatore e luce)
 Terra

Passaggio 4. Collegare il connettore di alimentazione della staffa di supporto al ricevitore.

Passaggio 5 e 6. Collegare i connettori del ricevitore ai connettori del motore del ventilatore e del kit luce.

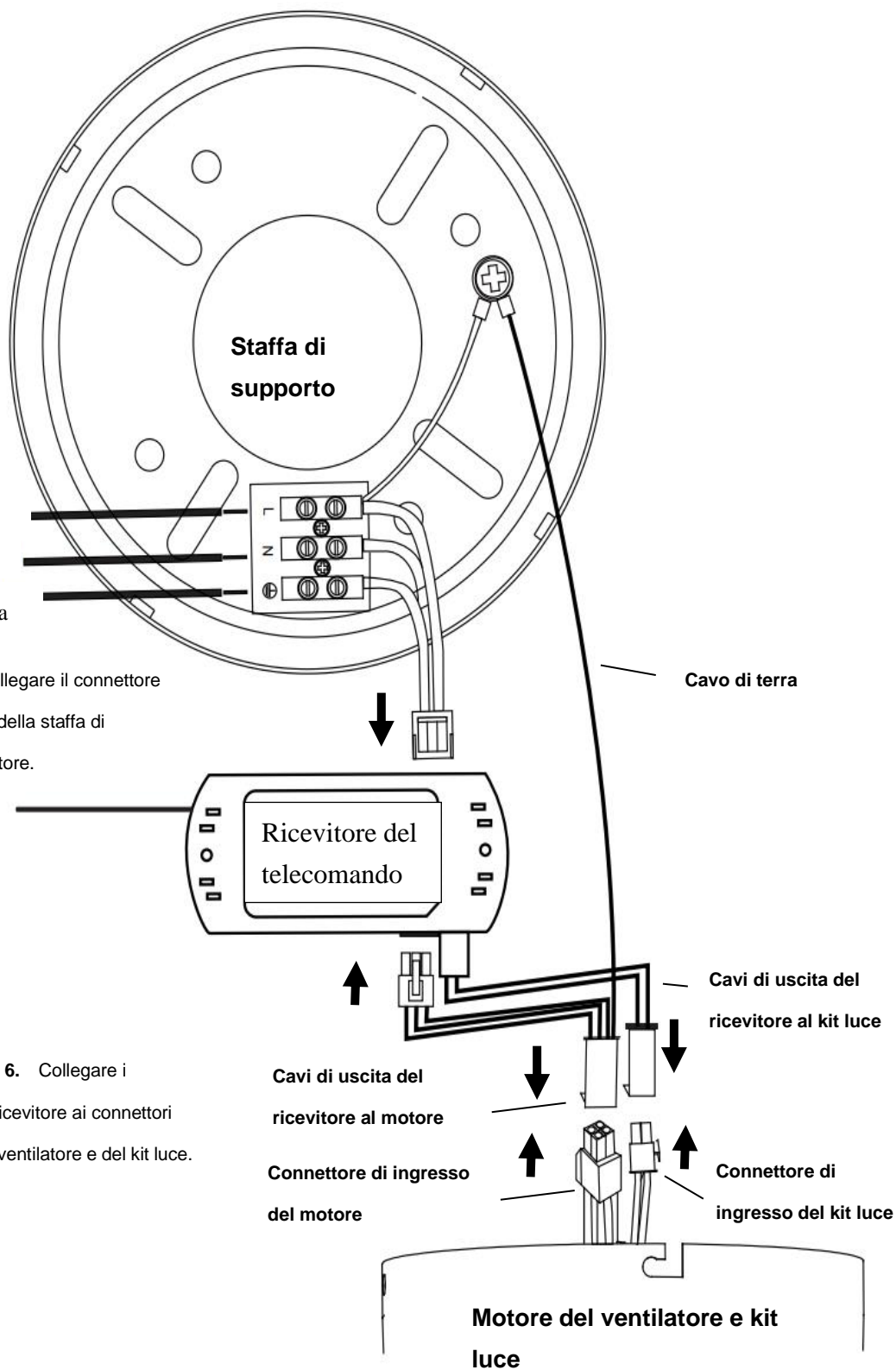


Fig. 4

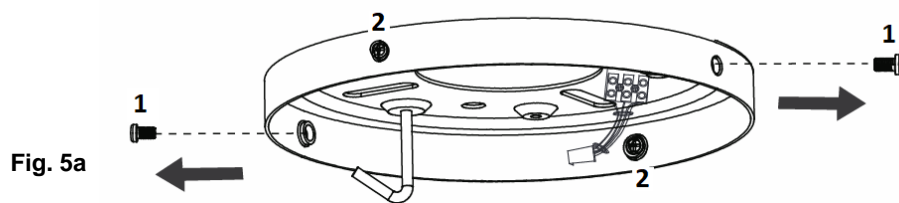


INSTALLAZIONE DEL VENTILATORE ALLA STAFFA DI SUPPORTO

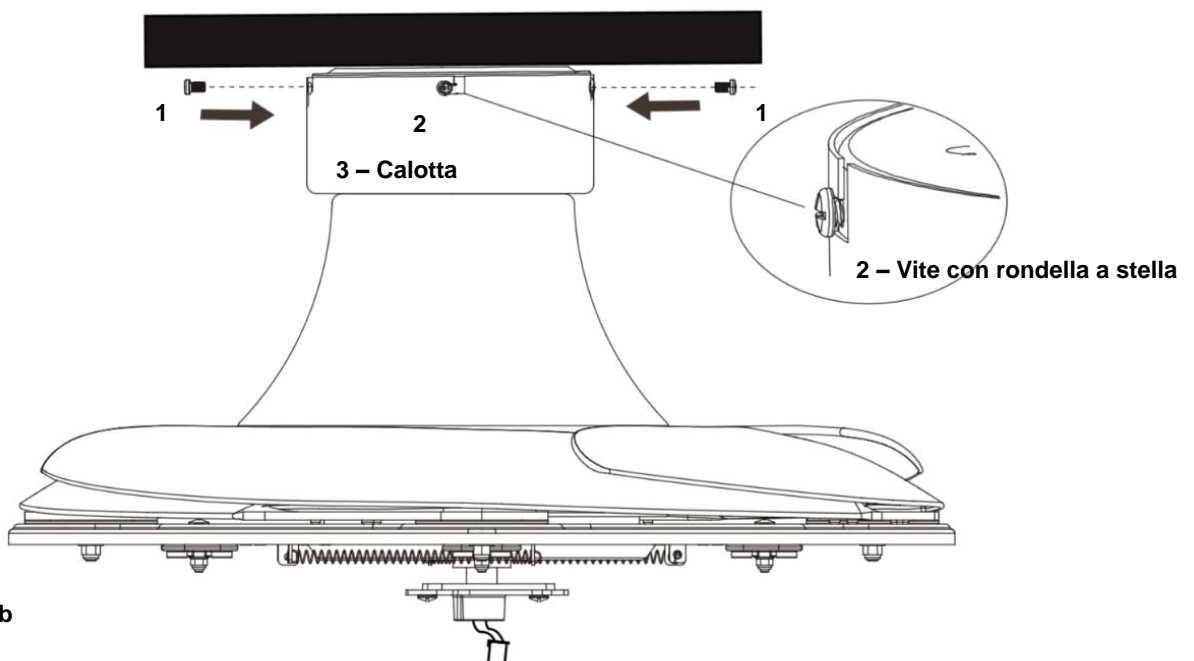
- Dopo aver completato il collegamento elettrico alla morsettiera della staffa di supporto, collegare i fili elettrici del ventilatore tramite i connettori rapidi.
- **NOTA: assicurarsi che il cavo di terra sia fissato saldamente e in modo corretto effettuando un test di continuità dal corpo metallico accessibile del ventilatore verso il terminale di terra sulla morsettiera nella staffa di supporto.**

Installazione del ventilatore alla staffa di supporto (Fig. 5a)

- Allentare le due viti per calotta (1) e rimuoverle dalla staffa di supporto.
- Allentare le due viti per calotta con la rondella a stella (2) per metà filettatura dalla staffa di supporto (per il collegamento alla fessura a L sulla calotta).



- Avvicinare la calotta (3) del ventilatore alla staffa di supporto e agganciare la fessura a L sulla calotta (3) alle due viti con le rondelle a stella (2). (Fig. 5b).
- Ruotare la calotta (3) finché non si blocca in posizione all'estremità della fessura a L e assicurarsi che la rondella a stella si trovi tra la calotta (3) e la testa della vite. Fissarla serrando le due viti per calotta con rondella a stella (2).
- Avvitare le due viti per calotta (1) alla staffa di supporto. La calotta (3) deve essere dotata di 4 viti (1) e (2) in totale. Fare attenzione a non danneggiare i collegamenti elettrici effettuati in precedenza durante il fissaggio della calotta



INSTALLAZIONE DEL KIT LUCE

INSTALLAZIONE DEL KIT LUCE (Fig. 6 e 7)

1. Allentare la vite (2) dal supporto sul ventilatore. Allineare le due viti (1 e 3) con i fori (1 e 3) sulla piastra del kit luce (Fig. 6).
2. Ruotare la piastra del kit luce in senso antiorario finché le viti (1 e 3) non sono fissate saldamente all'estremità delle fessure (1 e 3).
3. Fissare la vite (2) alla piastra del kit luce. Serrare tutte le tre viti. Non avvitarle eccessivamente.

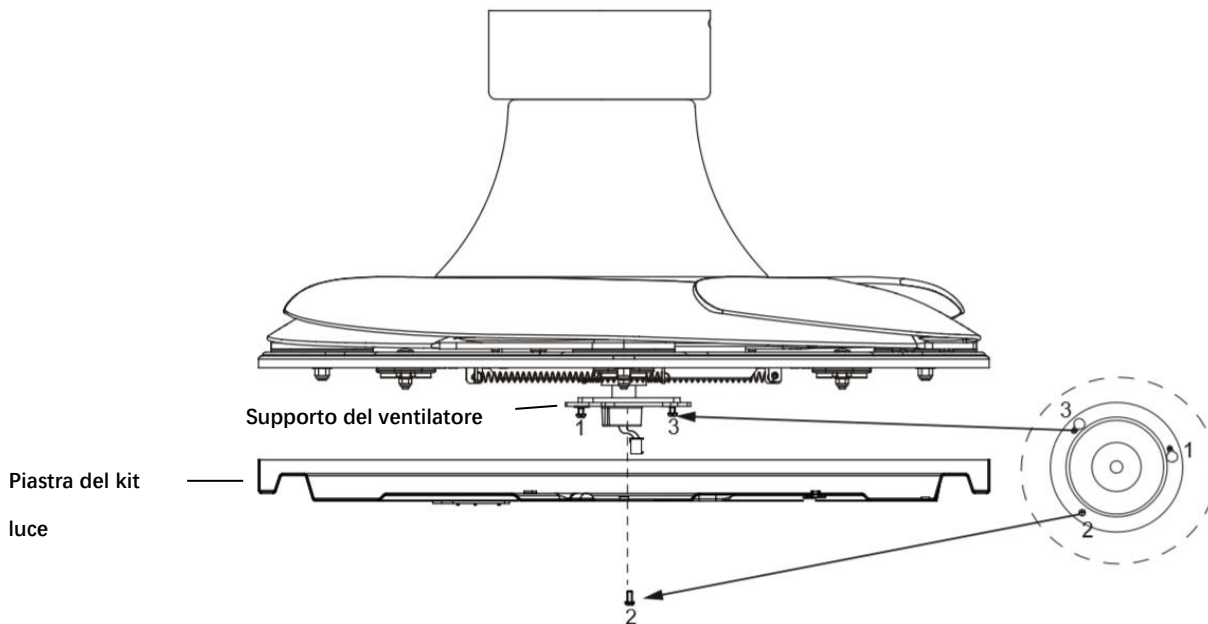


Fig. 6

4. Collegare il connettore rapido al kit luce con LED e paralume (Fig. 7).
5. Installare il kit luce con LED e paralume sulla piastra del kit luce ruotandolo in senso orario (Fig. 7).

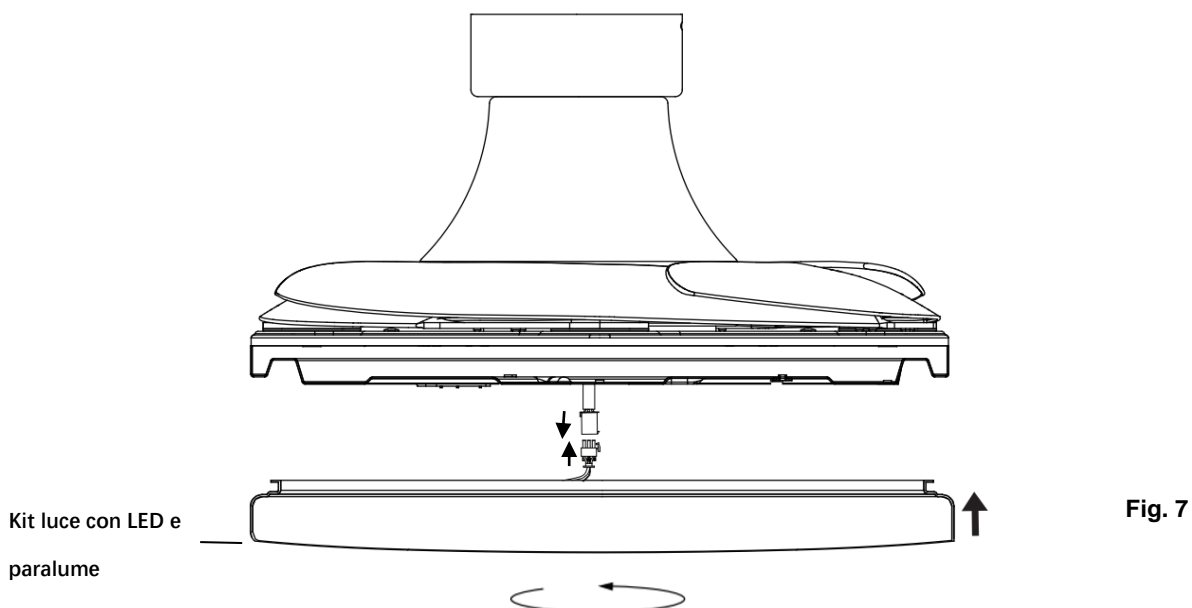


Fig. 7



INSTALLAZIONE DEL SUPPORTO PER TELECOMANDO (Fig. 8)

1. Fissare il supporto per telecomando a una parete adatta con le 2 viti (Fig. 8a).
2. Fare scorrere il telecomando all'interno del supporto (Fig. 8b).

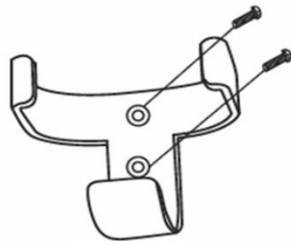


Fig. 8a



Fig. 8b

UTILIZZO DEL VENTILATORE


NOTA: dopo aver installato il ventilatore, è necessario abbinare il telecomando al ricevitore.

NOTA: se sono presenti due o più ventilatori a soffitto nello stesso luogo, consultare le istruzioni alla pagina successiva.

ABBINAMENTO DEL TELECOMANDO AL RICEVITORE – SE È PRESENTE UN SOLO VENTILATORE A SOFFITTO

NOTA: assicurarsi che l'impianto elettrico che alimenta il ventilatore sia protetto da un interruttore differenziale unipolare.

NOTA: assicurarsi che il ricevitore sia acceso prima di iniziare la procedura di abbinamento.

- Disattivare l'alimentazione del ventilatore.
- Inserire le batterie nel telecomando. Assicurarsi che la polarità della batteria sia corretta.
- Attivare l'alimentazione del ricevitore.
- Tenere premuto il pulsante  sul telecomando per 3-5 secondi entro 30 secondi dall'accensione del ricevitore del ventilatore.
- Il ricevitore emetterà un segnale acustico, a indicare che l'abbinamento è avvenuto correttamente.
- Accendere il ventilatore e modificare la velocità usando il telecomando per verificare che l'abbinamento



sia avvenuto correttamente.

- In caso contrario, ripetere i passaggi di abbinamento.


ABBINAMENTO DEL TELECOMANDO AL RICEVITORE – SE SONO PRESENTI DUE O PIÙ VENTILATORI A SOFFITTO

Se due o più ventilatori a soffitto sono installati in prossimità, il telecomando e il ricevitore di ciascun ventilatore devono essere abbinati individualmente, affinché il funzionamento di un ventilatore non interferisca con l'altro.

NOTA: assicurarsi che l'impianto elettrico che alimenta ciascun ventilatore sia protetto da un interruttore differenziale unipolare.

NOTA: assicurarsi che il ricevitore sia **acceso** prima di iniziare la procedura di abbinamento.


Abbinamento tra telecomando/ricevitore del ventilatore 1

- Disattivare l'alimentazione di tutti i ventilatori.
- Inserire le batterie nel telecomando. Assicurarsi che la polarità della batteria sia corretta.
- Attivare l'alimentazione del ricevitore 1. Mantenere disattivata l'alimentazione del ricevitore 2. (Ciascun ventilatore deve essere dotato del proprio interruttore di isolamento, affinché sia acceso esclusivamente il ventilatore da abbinare al telecomando).
- Tenere premuto il pulsante  sul **telecomando 1** per 3-5 secondi entro 30 secondi dall'accensione del ricevitore del ventilatore 1.
- Il ricevitore emetterà un segnale acustico, a indicare che l'abbinamento è avvenuto correttamente.
- Accendere il ventilatore 1 e modificare la velocità usando il telecomando per verificare che l'abbinamento sia avvenuto correttamente.
- In caso contrario, ripetere i passaggi di abbinamento.

Abbinamento tra telecomando/ricevitore del ventilatore 2

- Disattivare l'alimentazione di tutti i ventilatori.
- Inserire le batterie nel telecomando. Assicurarsi che la polarità della batteria sia corretta.
- Attivare l'alimentazione del ricevitore 2. Mantenere disattivata l'alimentazione del ricevitore 1. (Ciascun ventilatore deve essere dotato del proprio interruttore di isolamento, affinché sia acceso esclusivamente il ventilatore da abbinare al telecomando).



- Tenere premuto il pulsante  sul **telecomando 2** per 3-5 secondi entro 30 secondi dall'accensione del ricevitore del ventilatore 2.
- Il ricevitore emetterà un segnale acustico, a indicare che l'abbinamento è avvenuto correttamente.
- Accendere il ventilatore 2 e modificare la velocità usando il telecomando per verificare che l'abbinamento sia avvenuto correttamente.

In caso contrario, ripetere i passaggi di abbinamento.

TELECOMANDO (Fig. 9)

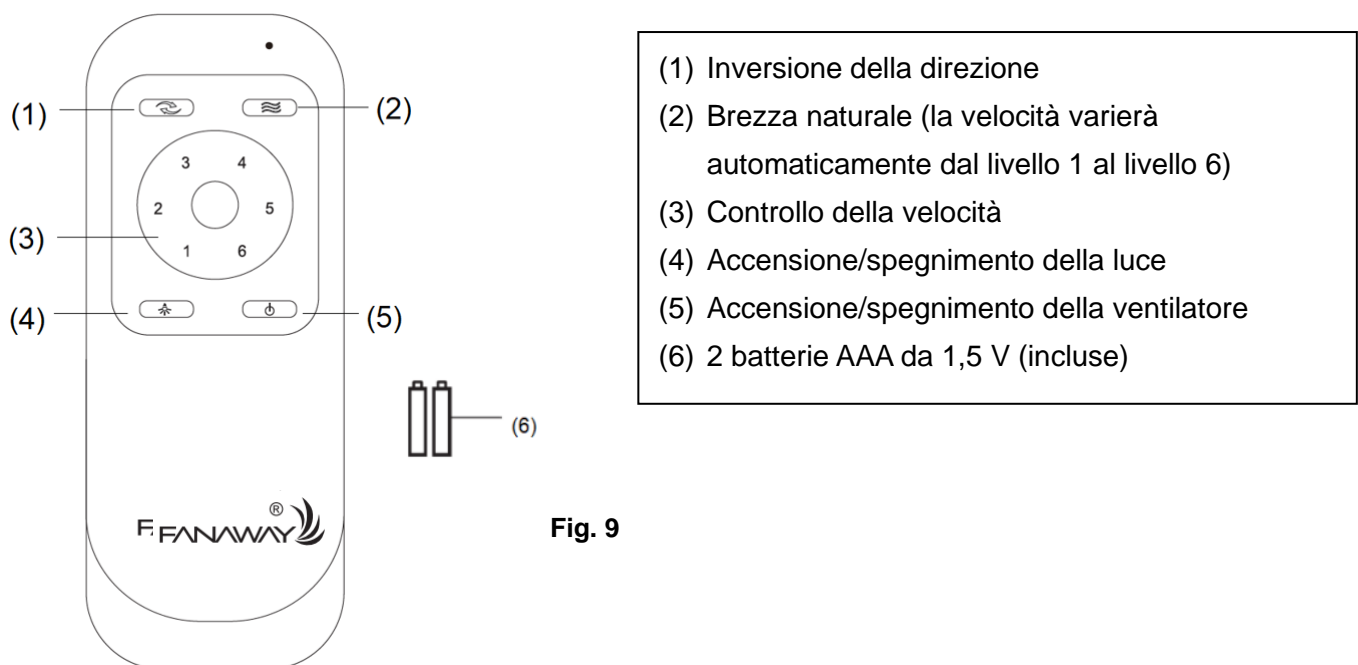


Fig. 9

Il kit luce LED è dotato di funzione varialuce a 3 livelli, controllata tramite il pulsante di controllo della luce sul telecomando.

Regolazione del livello di luminosità della luce: quando la luce è accesa e al 100% della luminosità, premere il pulsante di controllo della luce due volte in rapida successione (entro 5 secondi). Ripetere il processo di doppia pressione del pulsante di controllo della luce entro 5 secondi per abbassare ulteriormente il livello di luminosità nel seguente ordine: 100% della luminosità → 60% della luminosità → 10% della luminosità → 100% della luminosità.

Per tornare in qualsiasi momento al 100% della luminosità, spegnere la lampada, attendere 5 secondi, quindi riaccenderla.



NUOVO ABBINAMENTO DEL TELECOMANDO AL RICEVITORE – SE È PRESENTE UN SOLO VENTILATORE A SOFFITTO

- Se il telecomando e il ricevitore si scollegano durante l'installazione o l'utilizzo, è necessario abbinarli nuovamente.
- Di seguito sono elencati i sintomi dello scollegamento e i passaggi per effettuare nuovamente l'abbinamento.

Sintomi

- Perdita di controllo: il ventilatore funziona esclusivamente alla massima velocità dopo l'installazione.
- Perdita di controllo: non è possibile attivare la funzione di inversione della rotazione dopo l'installazione.
- Perdita di controllo: il telecomando non comunica con il ricevitore.

Azioni correttive

- Disattivare l'alimentazione del ventilatore per 30 secondi.
- Attivare l'alimentazione elettrica del ventilatore. Seguire la procedura descritta alla sezione "Abbinamento del telecomando al ricevitore" per effettuare l'abbinamento.
- Accendere il ventilatore e modificare la velocità per verificare che funzioni correttamente.

DOPO L'INSTALLAZIONE

VIBRAZIONI

NOTA: i ventilatori a soffitto tendono a muoversi durante il funzionamento perché sono fissati a una rondella in gomma. Se il ventilatore è fissato rigidamente al soffitto vibrerà in modo eccessivo. Un movimento di pochi centimetri è normale e NON è sintomo di alcun malfunzionamento.

PER RIDURRE LE VIBRAZIONI DEL VENTILATORE

Controllare che le tutte le viti che fissano la staffa di supporto siano avvitate saldamente.

NOTA: questo ventilatore è stato calibrato in fabbrica e non necessita di essere ricalibrato.

RUMOROSITÀ

Quando l'ambiente è silenzioso (in particolare durante le ore notturne), il ventilatore potrebbe produrre occasionalmente dei leggeri rumori. Leggere fluttuazioni dell'alimentazione elettrica e segnali elettrici di frequenza sovrapposti per il controllo dell'acqua calda nelle fasce orarie ridotte possono causare variazioni nel rumore del motore del ventilatore. È un fenomeno normale. La maggior parte dei rumori associati a un nuovo ventilatore scomparirà entro un periodo di assestamento di 24 ore.

Questo non è un malfunzionamento del prodotto, pertanto non è coperto dalla garanzia; tutti i motori elettrici emettono del rumore.



PULIZIA E MANUTENZIONE

NOTA: DISATTIVARE sempre l'alimentazione elettrica prima di effettuare le operazioni di pulizia e manutenzione sul ventilatore.

- La pulizia periodica del ventilatore ogni 6 mesi è l'unica operazione di manutenzione necessaria. Utilizzare una spazzola morbida o un panno privo di pelucchi per evitare di graffiare la finitura. Disattivare l'alimentazione elettrica prima della pulizia.
- Non immergere il ventilatore in acqua o altri liquidi per evitare danni al motore o alle pale e il rischio di scossa elettrica.
- Assicurarsi che il ventilatore non entri a contatto con detersivi o solventi organici.
- Per pulire le pale del ventilatore, usare esclusivamente un panno pulito e umido **SENZA** detersivi o solventi organici.
- Il motore contiene un cuscinetto permanentemente lubrificato, quindi non è necessario aggiungere lubrificante.

AVVERTENZE DI SICUREZZA RELATIVE ALLE BATTERIE

- **AVVERTENZA!** Conservare le batterie nuove e scariche fuori dalla portata dei bambini.
- **ATTENZIONE! Non** ingerire la batteria. Rischio di ustioni chimiche.
- Utilizzare esclusivamente 2 batterie AAA per alimentare il telecomando di questo ventilatore.
- Inserire le batterie rispettando la corretta polarità.
- Per evitare l'attivazione involontaria del ventilatore durante l'inserimento o la sostituzione delle batterie, il ventilatore deve essere scollegato dalla rete elettrica.
- Rimuovere le batterie dal prodotto in previsione di un lungo periodo di inutilizzo.
- Rimuovere le batterie dal telecomando prima di smaltirlo.
- Smaltire le batterie scariche immediatamente e in modo sicuro (affinché non possano essere usate dai bambini). Le batterie scariche possono essere pericolose. Contattare le autorità locali per informazioni sullo smaltimento sicuro delle batterie.
- Ispezionare regolarmente il prodotto e assicurarsi che il coperchio del vano batterie sia chiuso saldamente. Se il vano batterie non si chiude saldamente, non usare il prodotto e tenerlo fuori dalla portata dei bambini.
- Se si teme che le batterie siano state ingerite o siano penetrate all'interno del corpo, contattare immediatamente un medico. Se si ritiene che le batterie siano state ingerite o siano penetrate all'interno del corpo del bambino, contattare immediatamente il centro antiveleni locale.
- Perdite di elettrolita: le batterie contengono elettroliti, pertanto devono essere trattate come sostanze chimiche a tutti gli effetti. Prestare attenzione durante la manipolazione di batterie che presentano perdite. Tenere l'elettrolita lontano dagli occhi e non ingerirlo. Contattare il centro antiveleni locale.
-



SPECIFICHE TECNICHE

Ventilatore	Ventilatore CC da 36" – Fanaway Orbit
Modelli di ventilatore	LD-36 CTC FAN (SKU# 210664 / 210665 / 210666)
Tensione nominale	220-240 V~ 50 Hz
Potenza nominale (motore)	25 W
Potenza nominale (lampada)	25 W, 2000 LM, 3000 K, regolabile (varialuce a 3 livelli)
Batteria del telecomando	2 batterie AAA (incluse)
Peso	7,2 kg
Dimensioni della calotta	Altezza: 60 mm Diametro: 150 mm

INFORMAZIONI SULLA GARANZIA

IN EUROPA – Gli acquirenti europei possono contattare il punto vendita per eventuali richieste di intervento in garanzia.





BEDANKT VOOR UW AANKOOP

Bedankt voor de aankoop van de nieuwste energiebesparende plafondventilator. Deze ventilator werkt op gelijkstroom wat het voordeel heeft dat het apparaat bijzonder energiezuinig is met behoud van een hoog luchtvolume en een geruisloze werking.


Energiezuinig - De DC-motor is de nieuwste technologie op het gebied van ventilatorontwerp. De zeer efficiënte motor bespaart tot 65% energie in vergelijking met plafondventilators met traditionele wisselstroommotoren.

Stille werking - Deze DC-ventilatormotor werkt op een gestabiliseerde stroom die het motorgeluid efficiënt vermindert.

Lage bedrijfstemperatuur - De gelijkstroomvoeding zorgt ervoor dat de bedrijfstemperatuur van de motor niet hoger wordt dan 50°C. Dit resulteert in een veel koelere motor dan een standaard wisselstroomventilator en verhoogt bovendien de levensduur van de motor.

Afstandsbediening met 6 snelheden - Gewone AC-plafondventilators worden gewoonlijk geleverd met slechts 3 snelheden. Deze DC-ventilator heeft 6 snelheden en een afstandsbediening voor een grotere keuze aan comfort.

VEILIGHEIDSMATREGELEN

1. Dit apparaat kan worden gebruikt door kinderen vanaf 8 jaar en personen met verminderde fysieke, zintuiglijke of mentale vermogens of een gebrek aan ervaring en kennis, indien zij onder toezicht staan of instructies hebben gekregen over het veilige gebruik van het apparaat en als zij de gevaren ervan begrijpen. Reiniging en onderhoud mag zonder toezicht niet door kinderen worden uitgevoerd.
2. Kinderen moeten onder toezicht staan om er zeker van te zijn dat ze niet met het apparaat spelen.
3. Zorg dat de ventilator wordt aangesloten op een schakelaar waarbij alle polen worden onderbroken en volg de plaatselijke bedradingsvoorschriften.
4.  Gooi elektrische apparaten niet weg als ongesorteerd huishoudelijk afval. Maak gebruik van aparte inzamelingsfaciliteiten voor elektrische apparatuur. Neem contact op met uw gemeente voor informatie over de beschikbare inzamelingsystemen. Als elektrische apparaten op stortplaatsen terechtkomen, kunnen gevaarlijke stoffen in het grondwater lekken en in de voedselketen terechtkomen, wat schadelijk is voor uw gezondheid en welzijn.
5. De constructie waarop de ventilator wordt gemonteerd moet een gewicht van 32 kg kunnen dragen.
6. De ventilator moet zo worden gemonteerd dat de ventilatorbladen zich minstens 2,3 m boven de vloer bevinden.
7. Deze ventilator is geschikt voor binnen- en buitenruimtes waar de ventilator niet blootgesteld is aan



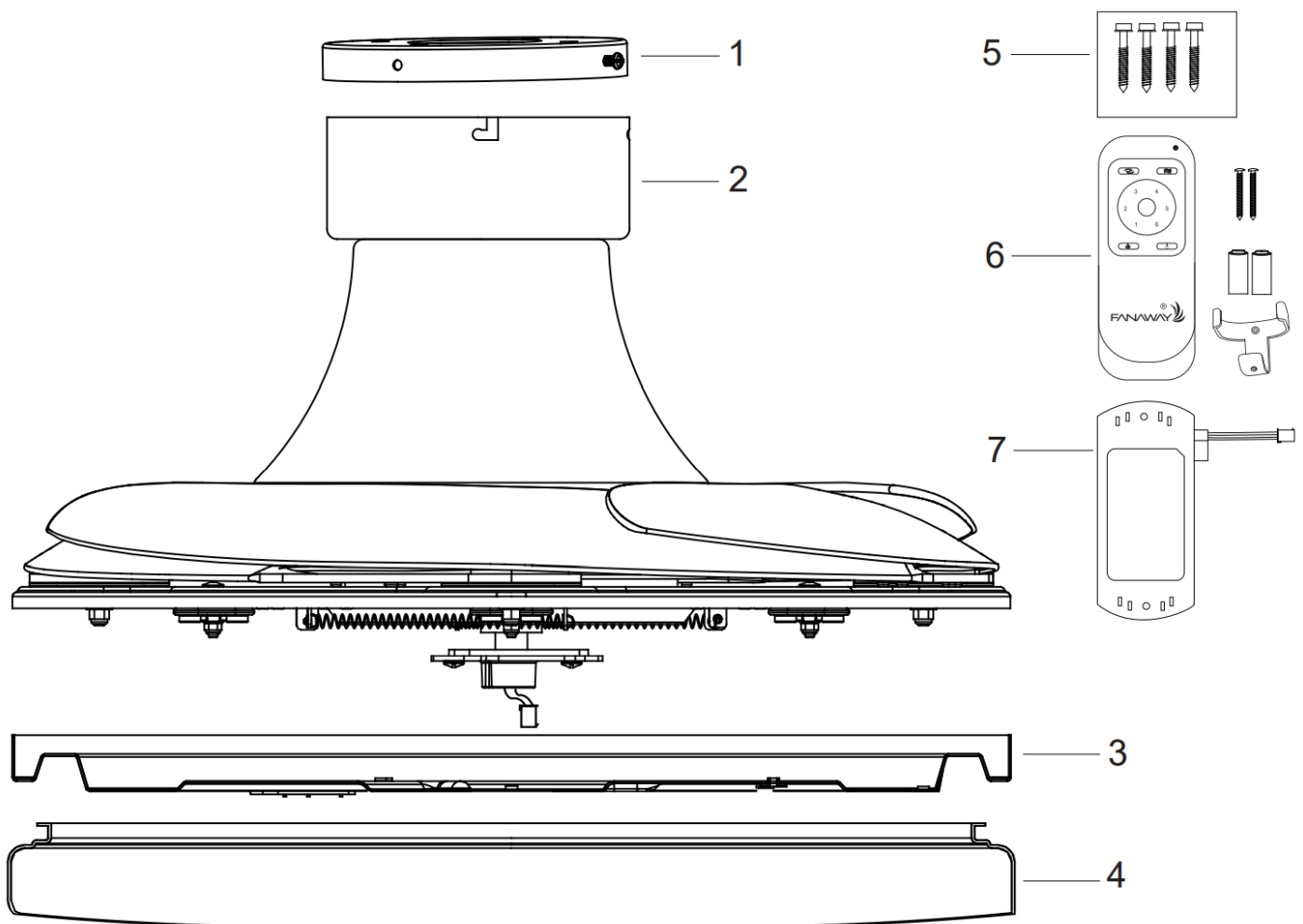
regen en vocht en in een ruimte met minimaal 2 wanden. Deze ventilator is niet waterdicht. Wanneer deze plafondventilator buitenshuis (terras) wordt geïnstalleerd, kies dan voor een locatie die tegen water, wind en stof is beschermd. Blootstelling aan deze elementen zal de garantie ongeldig maken. De ventilator op een plaats monteren waar deze aan water of vocht onderhevig is, is gevaarlijk en kan het risico op schade, letsel of elektrische schokken vergroten en zal de garantie ongeldig maken.

8. **WAARSCHUWING:** Bij ongewone trillingen of oscillerende bewegingen moet het gebruik van de plafondventilator onmiddellijk worden gestaakt en moet contact worden opgenomen met de fabrikant, een servicetechnicus of een daartoe bevoegde persoon.
9. De vervanging van onderdelen van de veiligheidsophanging moet worden uitgevoerd door de fabrikant, een servicetechnicus of een daartoe bevoegde persoon.
10. De bevestigingsmiddelen voor het plafond, zoals haken of andere onderdelen, moeten voldoende stevig worden bevestigd om 4 maal het gewicht van de plafondventilator te kunnen weerstaan; de montage van het ophangstelsel moet worden uitgevoerd door de fabrikant, een servicetechnicus of een daartoe bevoegde persoon.
11. De lichtbron van deze lamp kan niet door de gebruiker worden vervangen. Deze mag alleen worden vervangen door de fabrikant, zijn reparateur of een soortgelijke vakman. De lampenkap van de lichtmodule mag tijdens de reiniging, het onderhoud of een andere omstandigheid NIET worden verwijderd.



ONDERDELENLIJST

- Pak de plafondventilator voorzichtig uit. Verwijder alle onderdelen en hardware.
- Leg alle onderdelen op een vlakke ondergrond en controleer of alle noodzakelijke onderdelen aanwezig zijn. Als er onderdelen ontbreken, stuur het volledige product terug naar de plaats van aankoop voor inspectie of vervanging.
- Controleer of de plafondventilator tijdens het transport is beschadigd. Bedien/installeer geen product dat op welke wijze dan ook beschadigd lijkt te zijn. Stuur het beschadigde product terug naar de plaats van aankoop voor inspectie of vervanging.
- Bestudeer alle onderdelen. U zou het volgende moeten hebben:



Afb. 1

1	Montagebeugel x 1	5	Montageschroef x 4 st
2	Ventilatoreenheid x1	6	Afstandsbediening x 1 set
3	Lichtmoduleplaat x 1	7	Ontvanger x 1 set
4	Lichtmodule met LED en lampenkap x 1		



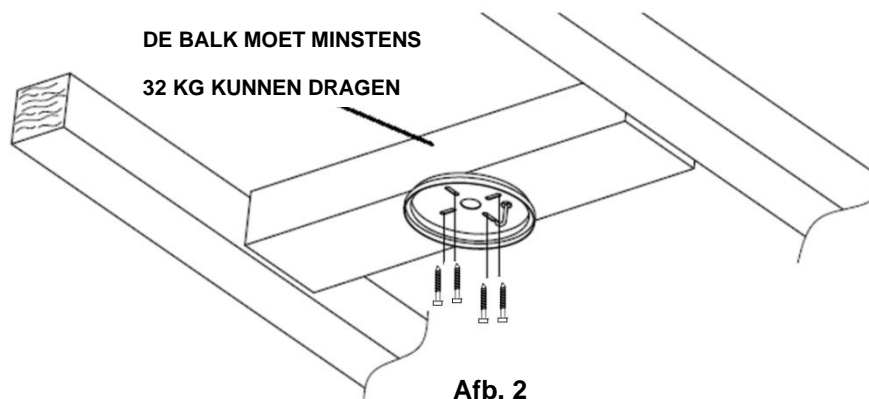
DE VENTILATOR INSTALLEREN

VEREIST GEREEDSCHAP:

- Kruiskopschroevendraaier / platkopschroevendraaier
- Tang
- Verstelbare moersleutel
- Ladder
- Zijsnijtang
- Bedrading, voedingskabel zoals vereist door de lokale en nationale bedradingsnormen en voorschriften

DE MONTAGEBEUGEL INSTALLEREN

- De plafondventilator moet zodanig worden geïnstalleerd dat het uiteinde van de bladen minstens 300 mm verwijderd is van het dichtstbijzijnde object of de muur.
- Monteer de ophangbeugel met de 4 lange meegeleverde schroeven aan een plafondbalk of een stevig punt aan het plafond dat minstens 32 kg kan dragen. Zorg ervoor dat ten minste 30 mm van de schroef in de plafondbalk of in het plafond wordt gedraaid. (Afb. 2)



OPMERKING: De meegeleverde beugelschroeven zijn alleen voor gebruik met houten constructies. Voor andere constructies dan hout moet het juiste schroeftype en eventueel pluggen worden gebruikt. Controleer of de gebruikte schroeven geschikt zijn voor het montageoppervlak.

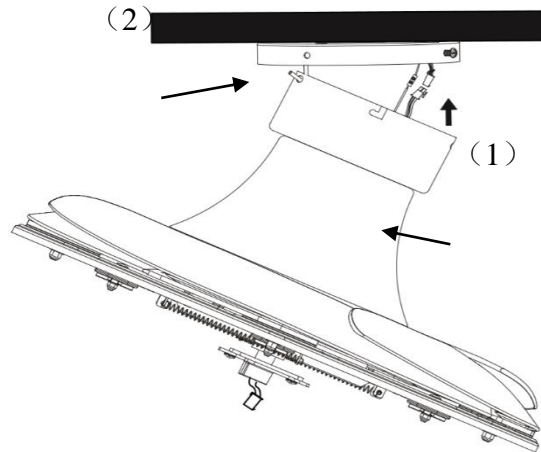
PLAATSING ONDER EEN HOEK

Het ophangstelsel van deze ventilator is ALLEEN geschikt voor een vlakke installatie op het plafond. Installeer de ventilator NIET op een schuin plafond.



DE VENTILATOR OPHANGEN

- Til de ventilatoreenheid (1) op de montagebeugel. Hang de ventilatoreenheid aan de J-haak (2) van de montagebeugel. (Afb.3)



Afb. 3

- Voltooi de elektrische bedrading volgens de onderstaande sectie ‚ELEKTRISCH BEDRADINGSSCHEMA‘.

DE ELEKTRISCHE BEDRADING VOORBEREIDEN --- BEDRADINGSSCHEMA (AFB. 4)

OPMERKING: IN DE VASTE BEDRADING MOET EEN EXTRA MEERPOLIGE SCHEIDINGSSCHAKELAAR WORDEN OPGENOMEN.

OPMERKING: ALS ER TWEE OF MEER GELIJKSTROOM-PLAFONDVENTILATORS OP ÉÉN LOCATIE ZIJN GEÏNSTALLEERD, IS EEN SCHEIDINGSSCHAKELAAR VEREIST VOOR ELKE PLAFONDVENTILATOR. DIT IS NODIG BIJ HET PROGRAMMEREN VAN DE AFSTANDBEDIENING EN DE ONTVANGER.

Van netvoeding tot montagebeugel-klemmenblok: (Afb. 4)

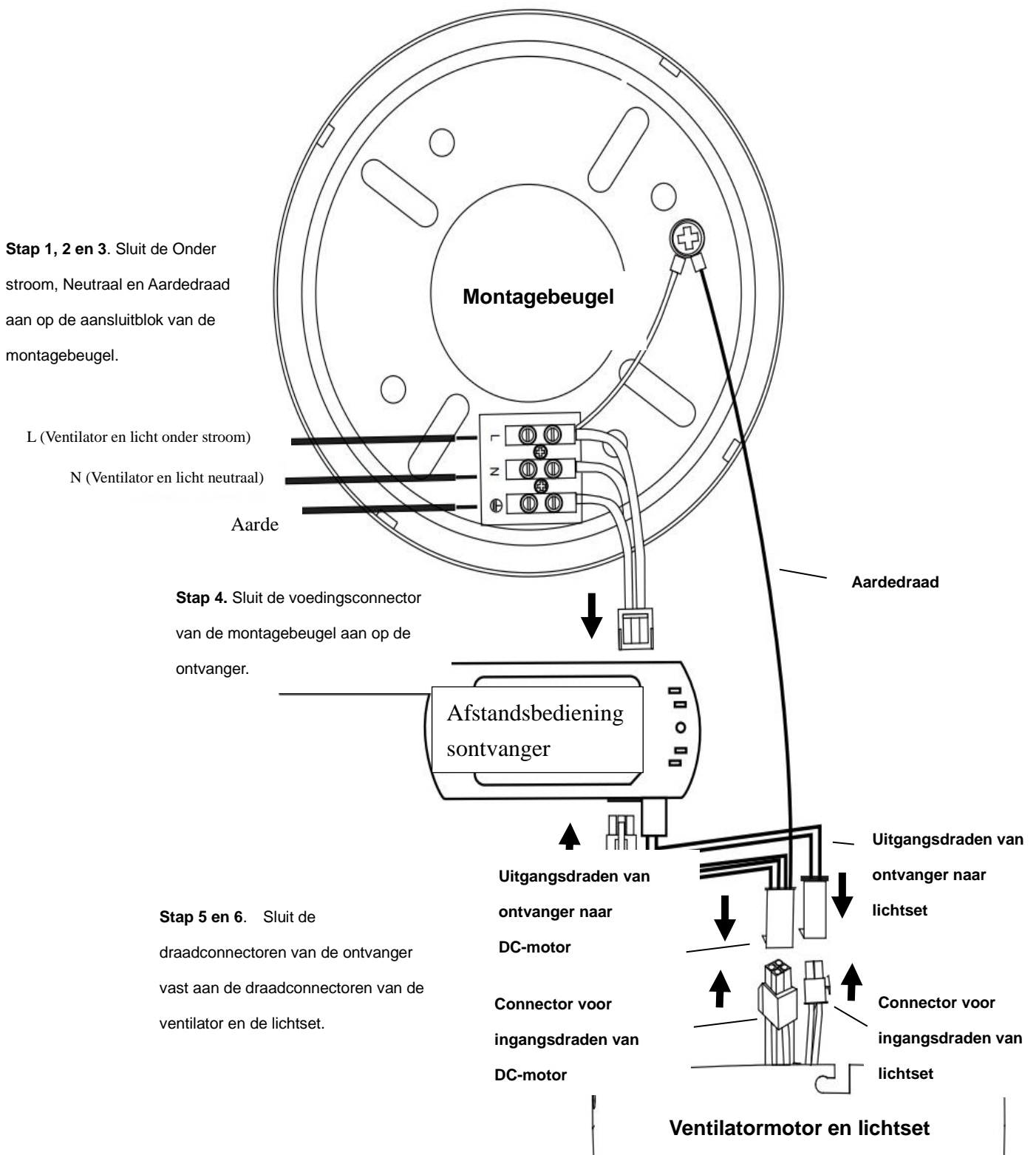
1. Sluit de fasedraad aan op de "L"-klem van het klemmenblok op de montagebeugel.
2. Sluit de neutrale draad aan op de "N"-klem van het klemmenblok op de montagebeugel.
3. Sluit de aardedraad aan op de aardeklem van het klemmenblok op de montagebeugel.

Van montagebeugel tot ontvanger en motor: (Afb. 4)

1. Sluit de voedingsconnector van de montagebeugel aan op de ingang van de DC-afstandsbedieningsontvanger.
2. Sluit de uitgangsdraden van de DC-afstandsbedieningsontvanger (vanaf de montagebeugel met de aardedraad) aan op de uitgang van de DC-afstandsbedieningsontvanger (Afb. 4). Sluit de uitgangsdraden van de DC-afstandsbedieningsontvanger met de aardedraad (vanaf de montagebeugel met de aardedraad) aan op de ingang van de ventilatormotor (Afb. 4)



3. Sluit de uitgangsdraden van de DC-afstandsbedieningsontvanger aan op de ingangsdraden van de lichtset van de ventilator.



Afb. 4

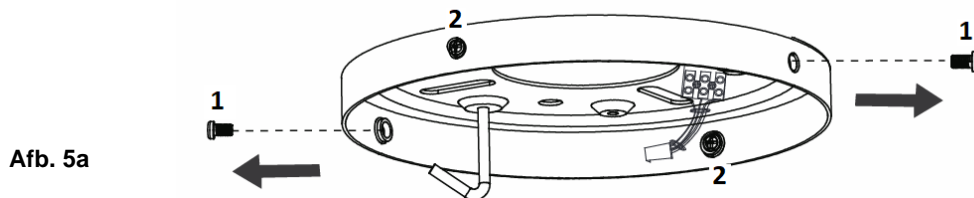


DE VENTILATOREENHEID OP DE MONTAGEBEUGEL INSTALLEREN

- Na het voltooiën van de elektrische aansluiting op het aansluitblok van de montagebeugel, verbind de bedrading van de plafondventilator met behulp van de snelkoppeling.
- **OPMERKING: Zorg ervoor dat de aardebedrading veilig en correct is, door een aardingscontinuïteitstest uit te voeren vanaf de metalen behuizing van de ventilator tot aan de aardklem op het aansluitblok van de montagebeugel.**

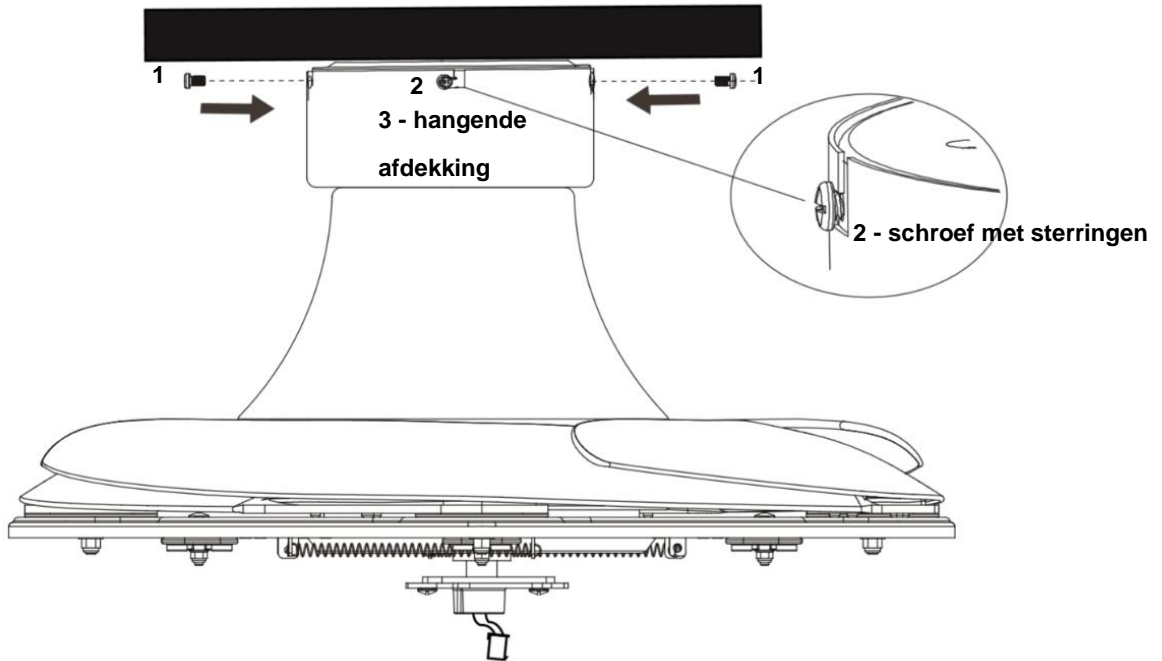
Installeer de ventilatoreenheid op de montagebeugel (Afb.5a):

- Draai twee afdekkingschroeven (1) los en verwijder de montagebeugel.
- Draai twee afdekkingschroeven met sterring (2) een halve slag uit de montagebeugel. (Voor L-vormige sleuf op de te monteren afdekking).



- Til de hangende afdekking (3) van de gemonteerde ventilator op de montagebeugel en laat de L-vormige sleuf aan de hangende afdekking (3) door twee afdekkingschroeven met sterringen (2) gaan. (Afb.5b)
- Draai de hangende afdekking (3) totdat deze vast klikt aan het eindgedeelte van de L-vormige sleuf. Zorg dat de sterring zich tussen de hangende afdekking (3) en de schroefkop bevindt. Zet vast door de twee afdekkingschroeven met sterring (2) vast te draaien.
- Draai de afdekkingschroeven (1) op de montagebeugel vast. De hangende afdekking (3) moet in het totaal van 4 schroeven (1) & (2) zijn voorzien. Vermijd beschadiging van de eerder voorbereide elektrische bedrading tijdens het ophangen van de afdekking.



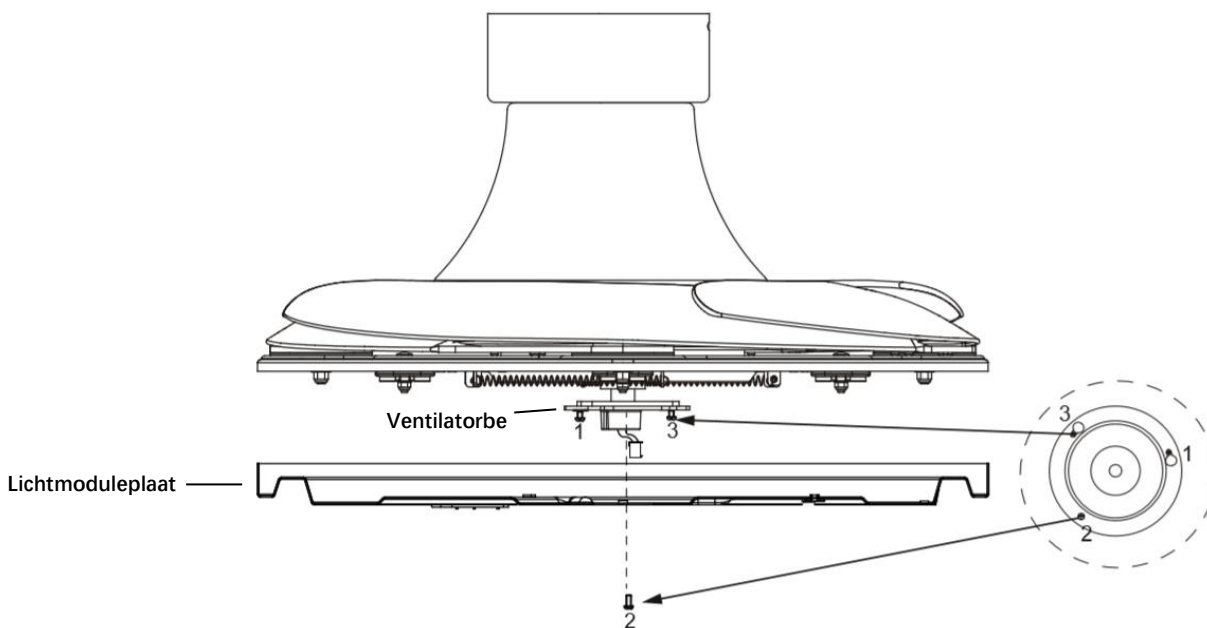


Afb. 5b

DE LICHTMODULE INSTALLEREN

DE LICHTMODULE INSTALLEREN (Afb. 6 & 7)

1. Draai de schroef (2) uit de ventilatorbeugel los. Breng de twee schroeven (1 en 3) op één lijn met de sleutelgaten (1 en 3) van de lichtmoduleplaat. (Afb. 6)
2. Draai de lichtmoduleplaat tegen de klok in totdat de schroeven (1 en 3) stevig tegen het einde van de sleuven (1 en 3) zijn vastgemaakt.
3. Maak de schroef (2) vast aan de lichtmoduleplaat. Draai de drie schroeven vast. Draai ze niet te vast aan.

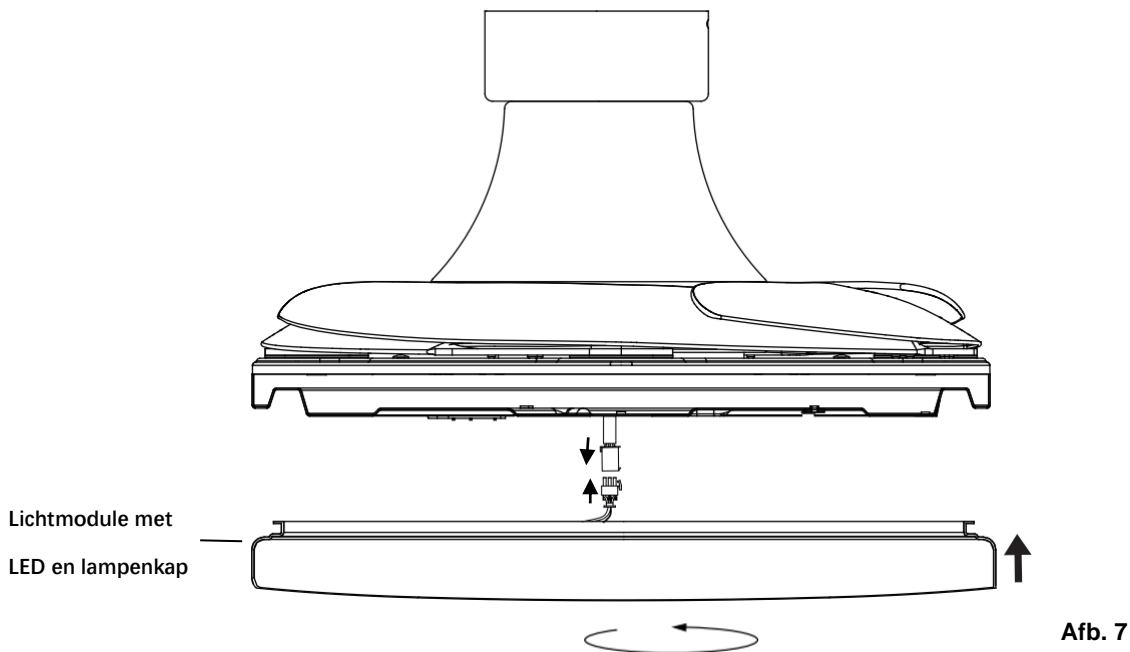


Afb. 6

4. Verbind de snelkoppeling met de lichtmodule met LED en lampenkap. (Afb. 7)

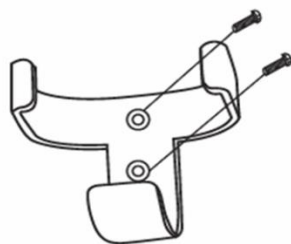


5. Maak de lichtmodule met LED en lampenkap vervolgens vast aan de lichtmoduleplaat door het met de klok mee te draaien (Fig. 7)



DE HOUDER VOOR DE AFSTANDSBEDIENING INSTALLEREN (Afb. 8)

1. Zoek een gepaste muur of oppervlak om de houder voor de afstandsbevestiging aan vast te maken met de 2 schroeven. (Afb. 8a).
2. Schuif de afstandsbediening in de houder. (Afb. 8b)



Afb. 8a



Afb. 8b



GEBRUIK VAN DE PLAFONDVENTILATOR

OPMERKING: De afstandsbediening en de ontvanger moeten na de installatie van de plafondventilator worden gekoppeld.

OPMERKING: Wanneer twee of meer plafondventilators op één plaats worden geïnstalleerd, raadpleeg dan de instructies op de volgende pagina.

KOPPELEN AFSTANDBEDIENING EN ONTVANGER - WANNEER 1 DC PLAFONDVENTILATOR OP ÉÉN PLAATS IS GEÏNSTALLEERD

OPMERKING: Zorg ervoor dat u een enkelpolige schakelaar hebt geïnstalleerd in de vaste bedrading van de ventilator.

OPMERKING: Zorg ervoor dat de stroomtoevoer naar de ontvanger AAN is voordat u de afstandsbediening aan de ontvanger koppelt.

- Schakel de netvoeding van de ventilator uit met een aan/uit-wandschakelaar.
- Plaats de batterijen in de afstandsbediening. Zorg ervoor dat de polariteit van de batterij correct is.
- Schakel de stroomtoevoer naar de ontvanger in.
- Druk en houd de "⏻" knop op de afstandsbediening 3-5 seconden ingedrukt binnen 30 seconden na het inschakelen van de ontvanger van de plafondventilator.
- Er zal een piepsignaal uit de ontvanger klinken om aan te geven dat het koppelingsproces succesvol is.
- Schakel de plafondventilator in en wijzig de snelheid met behulp van de afstandsbediening om de juiste werking en koppeling te controleren.
- Als het koppelen niet lukt, herhaal dan deze stappen.

KOPPELEN AFSTANDBEDIENING EN ONTVANGER - WANNEER MINSTENS 2 DC-PLAFONDVENTILATORS OP ÉÉN PLAATS ZIJN GEÏNSTALLEERD

Wanneer twee of meer plafondventilators in de buurt van elkaar zijn geplaatst, kunt u de afstandsbediening/ontvanger voor elke ventilator koppelen, zodat de werking van de ene ventilator geen invloed heeft op de werking van de andere ventilator.

OPMERKING: Zorg ervoor dat u een enkelpolige schakelaar hebt geïnstalleerd in de vaste bedrading van elke ventilator.

OPMERKING: Zorg ervoor dat de stroomtoevoer naar de ontvanger **AAN** is voordat u de afstandsbediening aan de ontvanger koppelt.

Afstandsbediening/ontvanger voor plafondventilator 1:



- Schakel de netvoeding van de ontvangers van beide plafondventilators 1 en 2 uit.
- Plaats de batterijen in de afstandsbediening. Zorg ervoor dat de polariteit van de batterij correct is.
- Schakel de stroomtoevoer naar ontvanger 1 in. Houd de stroom naar ontvanger 2 uitgeschakeld. (Elke plafondventilator moet een eigen scheidingschakelaar hebben, zodat alleen de plafondventilator die met de afstandsbediening moet worden gekoppeld, aan staat).
- Druk en houd de "⏻" knop op de **afstandsbediening 1** 3-5 seconden ingedrukt binnen 30 seconden na het inschakelen van de ontvanger van plafondventilator 1.
- Er zal een piepsignaal uit de ontvanger klinken om aan te geven dat het koppelingsproces succesvol is.
- Schakel de plafondventilator 1 in en wijzig de snelheid met behulp van de afstandsbediening om de juiste werking en koppeling te controleren.
- Als het koppelen niet lukt, herhaal dan deze stappen.

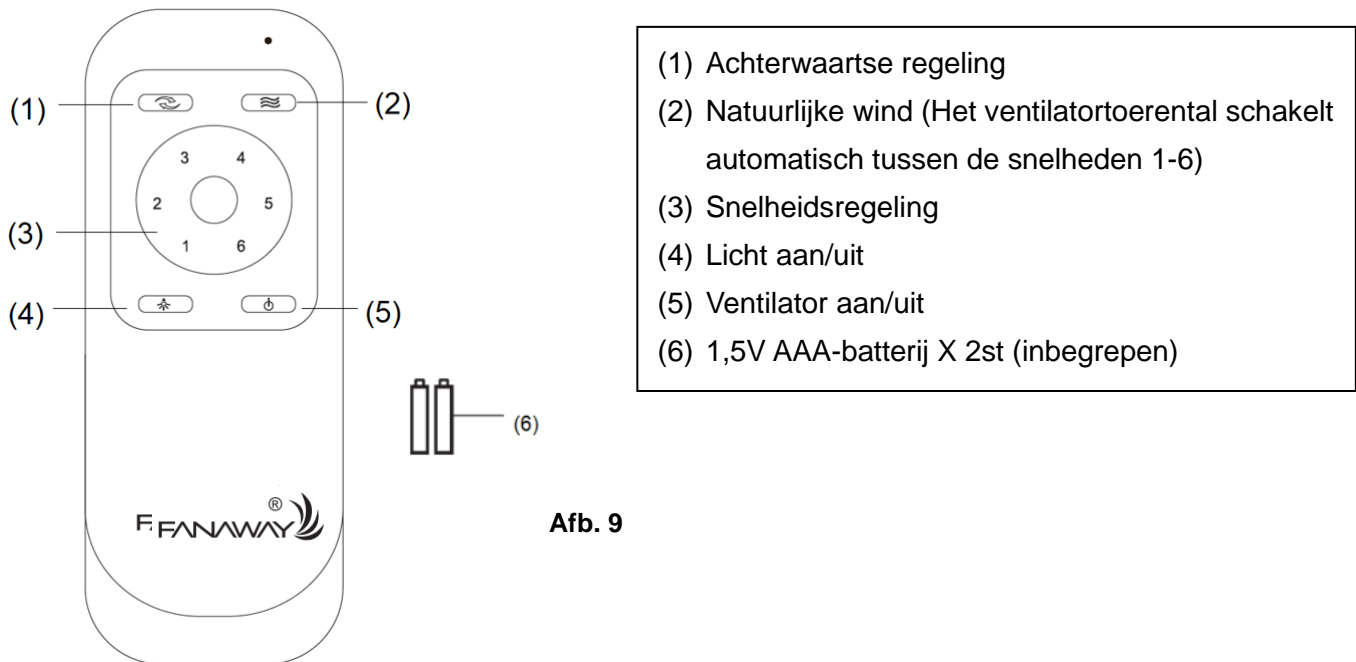
Afstandsbediening/ontvanger voor plafondventilator 2:

- Schakel de netvoeding van de ontvangers van beide plafondventilators 1 en 2 uit.
- Plaats de batterijen in de afstandsbediening. Zorg ervoor dat de polariteit van de batterij correct is.
- Schakel de stroomtoevoer naar ontvanger 2 in. Houd de stroom naar ontvanger 1 uitgeschakeld. (Elke plafondventilator moet een eigen scheidingschakelaar hebben, zodat alleen de plafondventilator die aan de zender moet worden gekoppeld, aan staat).
- Druk en houd de "⏻" knop op de **afstandsbediening 2** 3-5 seconden ingedrukt binnen 30 seconden na het inschakelen van de ontvanger van plafondventilator 2.
- Er zal een piepsignaal uit de ontvanger klinken om aan te geven dat het koppelingsproces succesvol is.
- Schakel de plafondventilator 2 in en wijzig de snelheid met behulp van de afstandsbediening om de juiste werking en koppeling te controleren.

Als het koppelen niet lukt, herhaal dan deze stappen.



AFSTANDSBEDIENING (Afb.9)



Het ledlicht is voorzien van een dimfunctie in 3 stappen die door de Licht AAN/UIT-knop op de afstandsbediening bediend kan worden.

Als het ledlicht AAN is en op 100% helderheid, druk op de lichtknop AAN en dan UIT binnen 5 seconden om het ledlicht te dimmen. Herhaal door binnen 5 seconden op de Lichtknop AAN en vervolgens de UIT-knop te drukken om verder te dimmen: 100% helderheid → 60% helderheid → 10% helderheid → 100% helderheid.

Om op elk moment naar 100% helderheid terug te gaan, schakel de lamp UIT, wacht 5 seconden en zet de lamp weer AAN. Nu is de lamp opnieuw op 100% helderheid ingesteld.

HET HERSTELLEN VAN DE KOPPELING VAN DE AFSTANDSBEDIENING EN DE ONTVANGER - WANNEER ER 1 PLAFONDVENTILATOR IS GEÏNSTALLEERD

- Als de afstandsbediening en ontvanger na de installatie of tijdens het gebruik ontkoppeld raakt, moet de koppeling van de afstandsbediening en de ontvanger worden hersteld.
- Hieronder staan de symptomen en de methode om de koppeling van de afstandsbediening en de ontvanger te herstellen.

Symptomen:

- Geen bediening mogelijk - Ventilator draait alleen op hoge snelheid na installatie
- Geen bediening mogelijk - Geen omkeerfunctie na installatie
- Geen bediening mogelijk - De afstandsbediening kan niet met de ontvanger communiceren

Stappen om te herstellen:

- Schakel de plafondventilator 30 seconden uit.
- Schakel de stroom naar de ventilator in. Volg dezelfde procedure zoals beschreven in de sectie „Koppelen afstandsbediening en ontvanger“ om de koppeling te herstellen.
- Schakel de plafondventilator in en selecteer de verschillende snelheden om de werking van de ventilator te controleren.

NA INSTALLATIE

WIEBELEN:

OPMERKING: plafondventilatoren hebben de neiging om tijdens het gebruik te bewegen door het feit dat ze op een rubberen doorvoertules zijn gemonteerd. Als de ventilator vast aan het plafond werd gemonteerd, zou dit buitensporige trillingen veroorzaken. Bewegingen van enkele centimeters zijn acceptabel en is GEEN defect van het apparaat.

OM HET WIEBELEN VAN DE VENTILATOR TE VERMINDEREN:

Controleer of alle schroeven waarmee de montagebeugel zijn bevestigd goed vastzitten.

OPMERKING: Deze ventilator werd in de fabriek reeds nauwkeurig in evenwicht gezet, dit is aldus niet meer nodig.

GELUID:

Wanneer het stil is (vooral 's nachts) kan het zijn dat u af en toe kleine geluiden hoort. Lichte stroomschommelingen en frequentiesignalen die op het elektriciteitssignaal worden gesuperponeerd voor de warmwaterbeheersing buiten de piekuren, kunnen een verandering in het geluid van de ventilatormotor veroorzaken. Dit is normaal. Houd rekening met een "instelperiode" van 24 uur. De meeste geluiden die gepaard gaan met een nieuwe ventilator verdwijnen gedurende deze periode.

Dit is geen defect aan het product en valt aldus niet onder de garantie - Alle elektromotoren produceren tot op zekere hoogte geluid.

ONDERHOUD EN REINIGING

OPMERKING: Schakel altijd eerst de stroom uit met de netschakelaar voordat u onderhoud uitvoert of uw ventilator probeert te reinigen.

- Elke 6 maanden is periodieke reiniging van uw plafondventilator het enige onderhoud dat nodig is. Gebruik een zachte borstel of pluisvrije doek om krassen op de laklaag te voorkomen. Schakel de elektriciteit uit als u dat doet.
- Laat uw plafondventilator niet weken of onderdompelen in water of andere vloeistoffen. Het kan de motor of de bladen beschadigen en een elektrische schok veroorzaken.



- Zorg ervoor dat de ventilator niet in contact komt met organische oplosmiddelen of reinigingsmiddelen.
- Om het ventilatorblad te reinigen, veegt u het af met een vochtige, schone doek met GEEN organische oplosmiddelen of reinigingsmiddelen.
- De motor heeft een permanent gesmeerde kogellager zodat er geen olie nodig is.

VEILIGHEIDSMATREGELEN VOOR DE BATTERIJEN

- **WAARSCHUWING** – Houd nieuwe en gebruikte batterijen uit de buurt van kinderen.
- **OPGELET** – Slik batterijen niet in - gevaar voor chemische brandwonden.
- Gebruik altijd 2 x AAA-batterijen voor de afstandsbediening.
- Zorg ervoor dat de batterijen met de juiste polariteit zijn geplaatst.
- Om te voorkomen dat de plafondventilator tijdens het plaatsen of vervangen van de batterijen verkeerd wordt gebruikt, moet de plafondventilator worden uitgeschakeld.
- Verwijder de batterijen als u het apparaat voor langere tijd niet gebruikt.
- De batterijen moeten uit de afstandsbediening worden verwijderd voordat het apparaat wordt afgedankt.
- Gooi gebruikte batterijen onmiddellijk en veilig weg (zodat ze niet door kinderen kunnen worden bereikt). Batterijen kunnen nog steeds gevaarlijk zijn. Neem contact op met uw gemeente om de batterijen veilig af te voeren.
- Controleer het product regelmatig en zorg ervoor dat het deksel van het batterijvak goed vastzit. Als het batterijcompartiment niet goed sluit, stop dan met het gebruik van het product en houd het uit de buurt van kinderen.
- Als u denkt dat batterijen zijn ingeslikt of in een lichaamsopening zijn geplaatst, moet u onmiddellijk medische hulp inroepen. Als u vermoedt dat uw kind een knoopcelbatterij heeft ingeslikt of geplaatst, bel dan het noodnummer (112) van uw land als u in Europa bent voor snel en deskundig advies.
- De batterij lekt: De batterij bevat chemische stoffen en moet worden behandeld zoals elke andere chemische stof. Neem voorzorgsmaatregelen bij het hanteren van gelekte chemicaliën uit de batterij. Wees voorzichtig met chemicaliën uit batterijen. Vraag onmiddellijk medische hulp na contact met de ogen of bij inslikken.



TECHNISCHE INFORMATIE

Ventilator	36" DC-ventilator – Fanaway Orbit
Ventilatormodellen	LD-36 CTC FAN (SKU# 210664 / 210665 / 210666)
Nominale spanning	220-240 V~ 50Hz
Nominaal vermogen (motor)	25W
Nominaal vermogen (lamp)	25W, 2000 LM, 3000K, Dimbaar (in 3 stappen)
Batterijen voor afstandsbediening	2 x AAA (inbegrepen)
Gewicht	7,2 kg
Afmetingen van de overkapping	H:60 mm Dia:150 mm

GARANTIE-INFORMATIE

IN EUROPA - Als u een Europese klant bent, neem dan contact op met het verkooppunt waar de ventilator is gekocht voor garanteservice.





ΕΥΧΑΡΙΣΤΟΥΜΕ ΓΙΑ ΤΗΝ ΑΓΟΡΑ ΣΑΣ

Συγχαρητήρια για την αγορά ενός ανεμιστήρα οροφής τελευταίας τεχνολογίας όσον αφορά την ενεργειακή απόδοση. Ο ανεμιστήρας που αγοράσατε λειτουργεί με συνεχές ρεύμα (DC), έτσι ώστε να παρέχει εξαιρετική ενεργειακή απόδοση και ταυτόχρονα υψηλή ικανότητα διακίνησης αέρα και αθόρυβη λειτουργία.


Ενεργειακή απόδοση - Το μοτέρ DC είναι η τελευταία τεχνολογική εξέλιξη στη σχεδίαση των ανεμιστήρων. Είναι ένα μοτέρ υψηλής απόδοσης, που εξοικονομεί έως 65% περισσότερη ενέργεια από τα συμβατικά μοτέρ των ανεμιστήρων οροφής εναλλασσόμενου ρεύματος (AC).

Αθόρυβη λειτουργία – Το μοτέρ DC αυτού του ανεμιστήρα είναι προγραμματισμένο ώστε να λειτουργεί με σταθεροποιημένο ρεύμα, για να μειώνεται αποτελεσματικά ο θόρυβος του μοτέρ.

Χαμηλή θερμοκρασία λειτουργίας – Χάρη στην αποτελεσματική διαχείριση του τροφοδοτικού DC, το μοτέρ λειτουργεί σε θερμοκρασία χαμηλότερη από 50°C. Έτσι, το μοτέρ θερμαίνεται πολύ λιγότερο από το μοτέρ ενός συμβατικού ανεμιστήρα AC και έχει μεγαλύτερη διάρκεια ζωής.

Τηλεχειριστήριο 6 ταχυτήτων – Οι συμβατικοί ανεμιστήρες οροφής AC έχουν συνήθως μόνο 3 ταχύτητες, ενώ αυτός ο ανεμιστήρας DC περιλαμβάνει τηλεχειριστήριο 6 ταχυτήτων για περισσότερες επιλογές κλιματισμού.

ΠΡΟΦΥΛΑΞΕΙΣ ΑΣΦΑΛΕΙΑΣ

1. Αυτή η συσκευή μπορεί να χρησιμοποιηθεί από παιδιά ηλικίας 8 χρονών και πάνω και από άτομα με περιορισμένες σωματικές, αισθητήριες ή διανοητικές ικανότητες, ή από άτομα με ελλιπή εμπειρία και γνώσεις, εφόσον επιβλέπονται ή έχουν λάβει οδηγίες για την ασφαλή χρήση της συσκευής και κατανοούν τους εμπλεκόμενους κινδύνους. Οι εργασίες καθαρισμού και συντήρησης δεν πρέπει να πραγματοποιούνται από παιδιά χωρίς επίβλεψη.
2. Τα παιδιά πρέπει να επιβλέπονται, ώστε να διασφαλίζεται ότι δεν παίζουν με τη συσκευή.
3. Η σταθερή καλωδίωση θα πρέπει να περιλαμβάνει διακόπτη απομόνωσης όλων των αγωγών ρεύματος (φάσεις και ουδέτερο) σύμφωνα τους τοπικούς ηλεκτρολογικούς κανονισμούς.
4.  Οι ηλεκτρικές συσκευές δεν πρέπει να απορρίπτονται μαζί με τα οικιακά απορρίμματα. Χρησιμοποιήστε ξεχωριστές εγκαταστάσεις συλλογής απορριμμάτων. Απευθυνθείτε στις τοπικές αρχές για πληροφορίες σχετικά με τα διαθέσιμα συστήματα συλλογής. Αν τα απόβλητα ηλεκτρικών συσκευών απορρίπτονται σε χωματερές, υπάρχει κίνδυνος να διαρρεύσουν επικίνδυνες ουσίες στα υπόγεια ύδατα και να περάσουν στην τροφική αλυσίδα, με κίνδυνο για την υγεία σας.
5. Η κατασκευή πάνω στην οποία θα κρεμαστεί ο ανεμιστήρας θα πρέπει να μπορεί να υποστηρίξει βάρος 32 κιλών.
6. Ο ανεμιστήρας θα πρέπει να τοποθετηθεί με τέτοιο τρόπο, ώστε τα πτερύγια να βρίσκονται τουλάχιστον



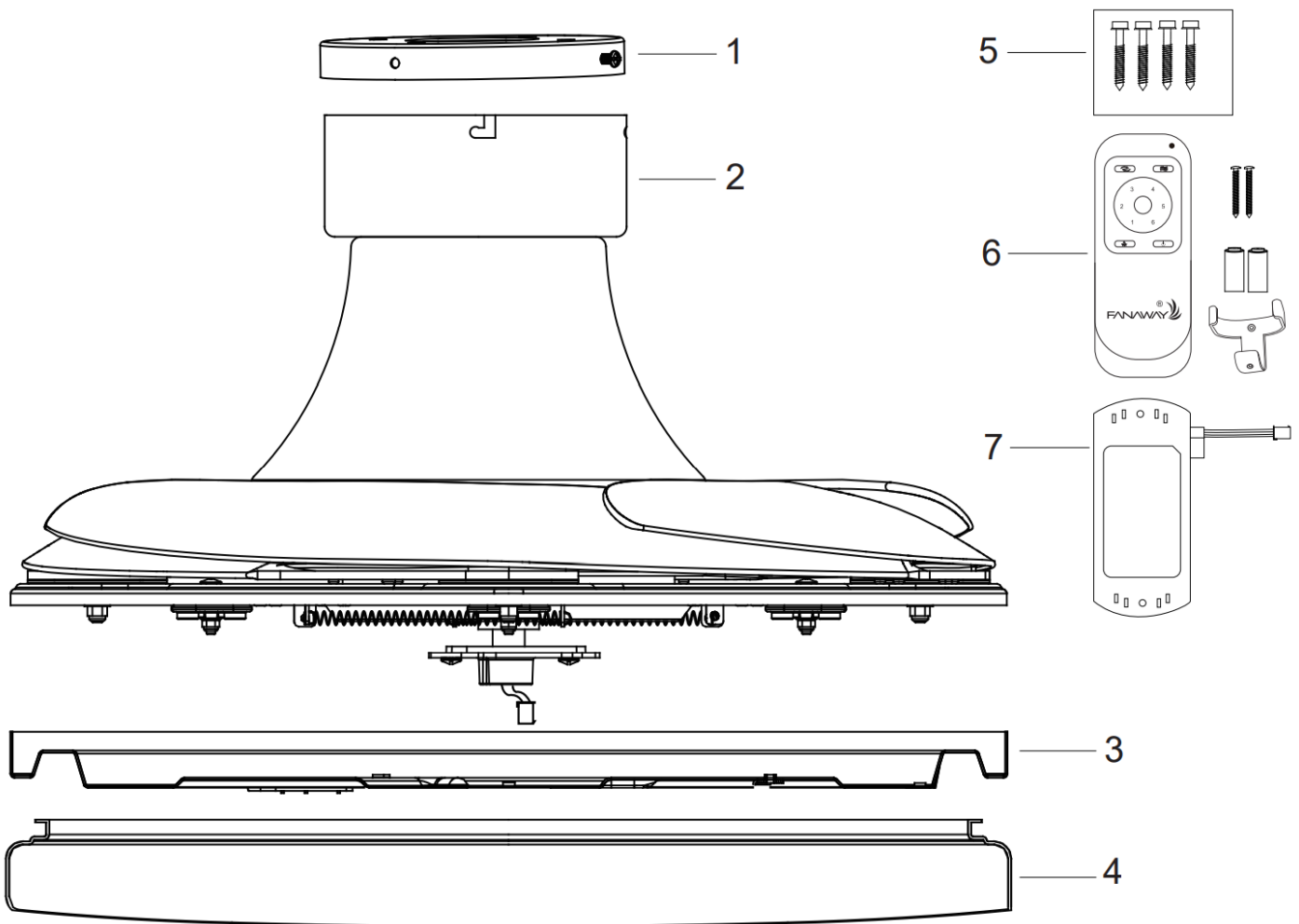
2,3 μέτρα πάνω από το δάπεδο.

7. Αυτός ο ανεμιστήρας μπορεί να εγκατασταθεί σε εσωτερικό και σε εξωτερικό χώρο, εφόσον ο ανεμιστήρας καλύπτεται πλήρως από τουλάχιστον 2 τοίχους. Ο ανεμιστήρας δεν είναι αδιάβροχος. Αν εγκατασταθεί σε εξωτερικό χώρο, ο ανεμιστήρας θα πρέπει να είναι προστατευμένος από το νερό, τον αέρα, τη σκόνη και το αλάτι. Αν εκτίθεται σε αυτά τα στοιχεία, η εγγύηση ακυρώνεται. Η εγκατάσταση του ανεμιστήρα σε χώρο εκτεθειμένο σε νερό ή υγρασία είναι επικίνδυνη και αυξάνει τον κίνδυνο ζημιάς, τραυματισμού ή ηλεκτροπληξίας.
8. ΠΡΟΕΙΔΟΠΟΙΗΣΗ: Εάν παρατηρήσετε ότι ο ανεμιστήρας οροφής τραντάζεται ή ταλαντεύεται περίεργα, σταματήστε αμέσως να χρησιμοποιείτε τον ανεμιστήρα και επικοινωνήστε με τον κατασκευαστή, τον αντιπρόσωπο σέρβις του κατασκευαστή ή κατάλληλο επαγγελματία.
9. Η αντικατάσταση των εξαρτημάτων του συστήματος ανάρτησης ασφαλείας πρέπει να πραγματοποιείται από τον κατασκευαστή, τον αντιπρόσωπο σέρβις του κατασκευαστή ή κατάλληλο επαγγελματία.
10. Τα εξαρτήματα προσάρτησης στην οροφή, όπως είναι τα άγκιστρα ή άλλες διατάξεις, πρέπει να στερεώνονται κατάλληλα, έτσι ώστε να αντέχουν 4 φορές το βάρος του ανεμιστήρα οροφής. Το σύστημα ανάρτησης θα πρέπει να τοποθετηθεί από τον κατασκευαστή, τον αντιπρόσωπο σέρβις του κατασκευαστή ή κατάλληλο επαγγελματία.
11. Ο λαμπτήρας του φωτιστικού δεν μπορεί να αντικατασταθεί από τον χρήστη. Πρέπει να αντικαθίσταται μόνο από τον κατασκευαστή ή τον αντιπρόσωπο του κατασκευαστή, ή άλλο άτομο με παρόμοια εξουσιοδότηση. Το αμπαζούρ του φωτιστικού ΔΕΝ ΠΡΕΠΕΙ να αφαιρείται κατά τον καθαρισμό, τη συντήρηση, και σε καμία άλλη περίπτωση.



ΛΙΣΤΑ ΕΞΑΡΤΗΜΑΤΩΝ

- Αφαιρέστε προσεκτικά τον ανεμιστήρα οροφής από τη συσκευασία. Αφαιρέστε όλα τα εξαρτήματα και τα στοιχεία στερέωσης.
- Τακτοποιήστε όλα τα εξαρτήματα σε ομαλή επιφάνεια και βεβαιωθείτε ότι δεν λείπει κανένα εξάρτημα, πριν ξεκινήσετε τη συναρμολόγηση. Αν λείπουν εξαρτήματα, επιστρέψετε ολόκληρο το προϊόν στο κατάστημα αγοράς για έλεγχο ή αντικατάσταση.
- Ελέγξτε μήπως ο ανεμιστήρας οροφής έχει υποστεί ζημιά κατά τη μεταφορά. Αν φαίνεται να υπάρχει οποιαδήποτε ζημιά, μη θέσετε σε λειτουργία / μην εγκαταστήσετε το προϊόν. Επιστρέψετε ολόκληρο το προϊόν στο κατάστημα αγοράς για επισκευή ή αντικατάσταση.
- Εξετάστε όλα τα εξαρτήματα και βεβαιωθείτε ότι υπάρχουν τα ακόλουθα:



Εικ. 1

1	Στοιχείο ανάρτησης x 1	5	Βίδες στερέωσης x 4 τμχ
2	Συγκρότημα ανεμιστήρα x 1	6	Σετ τηλεχειριστηρίου x 1 σετ
3	Πλάκα φωτιστικού x 1	7	Δέκτης x 1 σετ
4	Φωτιστικό με λαμπτήρα LED και αμπαζούρ x 1		



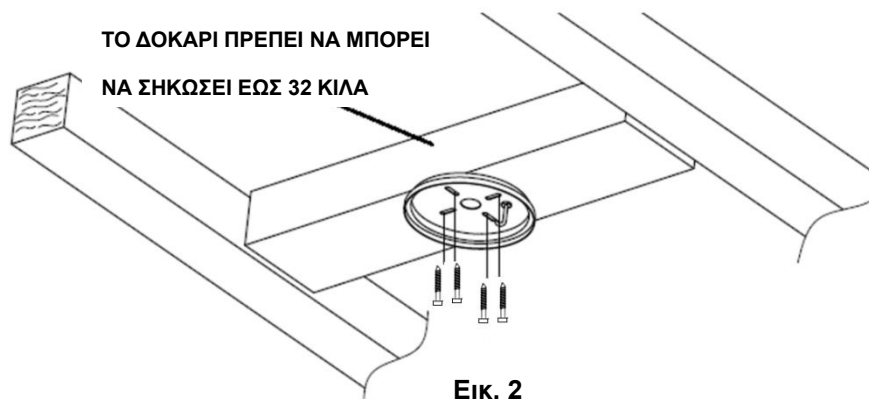
ΕΓΚΑΤΑΣΤΑΣΗ ΤΟΥ ΑΝΕΜΙΣΤΗΡΑ

ΑΠΑΙΤΟΥΜΕΝΑ ΕΡΓΑΛΕΙΑ:

- Κατσαβίδι Phillips / ίσιο κατσαβίδι
- Πένσα
- Γαλλικό κλειδί
- Σκάλα
- Κόφτης
- Ηλεκτρικό καλώδιο, σύμφωνα με τις προδιαγραφές που ορίζουν οι κατά τόπους κανονισμοί για τις ηλεκτρικές καλωδιώσεις.

ΤΟΠΟΘΕΤΗΣΗ ΤΟΥ ΣΤΟΙΧΕΙΟΥ ΑΝΑΡΤΗΣΗΣ

- Ο ανεμιστήρας οροφής θα πρέπει να εγκατασταθεί έτσι ώστε να υπάρχει απόσταση 300 χιλιοστών από την άκρη των πτερυγίων μέχρι το πλησιέστερο αντικείμενο ή τον πλησιέστερο τοίχο.
- Τοποθετήστε το στοιχείο ανάρτησης σε δοκάρι της οροφής ή άλλη κατασκευή που να μπορεί να σηκώσει βάρος τουλάχιστον 32 κιλών, με τις 4 μακριές βίδες που παρέχονται. Βεβαιωθείτε ότι τουλάχιστον 30 χιλιοστά της βίδας έχουν βιδωθεί στην κατασκευή ανάρτησης. (Εικ. 2)



ΣΗΜΕΙΩΣΗ: Οι παρεχόμενες βίδες στερέωσης είναι κατάλληλες μόνο για ξύλο. Για κατασκευές από άλλο υλικό, εκτός ξύλου, θα ΠΡΕΠΕΙ να χρησιμοποιηθεί ο κατάλληλος τύπος βίδας. Βεβαιωθείτε ότι οι χρησιμοποιούμενες βίδες είναι κατάλληλες για την επιφάνεια τοποθέτησης και τον περιβάλλοντα χώρο.

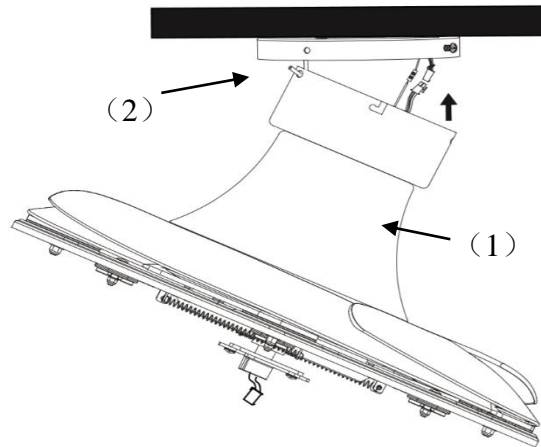
ΤΟΠΟΘΕΤΗΣΗ ΣΕ ΟΡΟΦΗ ΥΠΟ ΚΛΙΣΗ

Το σύστημα ανάρτησης αυτού του ανεμιστήρα είναι κατάλληλο ΜΟΝΟ για τοποθέτηση σε οριζόντια οροφή. **ΜΗΝ τοποθετήσετε τον ανεμιστήρα σε οροφή με κλίση.**



ΚΡΕΜΑΣΜΑ ΤΟΥ ΑΝΕΜΙΣΤΗΡΑ

- Κρεμάστε το συγκρότημα του ανεμιστήρα (1) στο στοιχείο ανάρτησης. Κρεμάστε το συγκρότημα του ανεμιστήρα στο άγκιστρο (2) του στοιχείου ανάρτησης. (Εικ. 3)



Εικ. 3

- Συνδέστε τα καλώδια σύμφωνα με τις οδηγίες στην ενότητα «ΗΛΕΚΤΡΟΛΟΓΙΚΟ ΔΙΑΓΡΑΜΜΑ» παρακάτω.

ΠΡΟΕΤΟΙΜΑΣΙΑ ΚΑΙ ΣΥΝΔΕΣΗ ΤΗΣ ΗΛΕΚΤΡΙΚΗΣ ΚΑΛΩΔΙΩΣΗΣ --- ΗΛΕΚΤΡΟΛΟΓΙΚΟ ΔΙΑΓΡΑΜΜΑ

(ΕΙΚ. 4)

ΣΗΜΕΙΩΣΗ: Η ΣΤΑΘΕΡΗ ΚΑΛΩΔΙΩΣΗ ΘΑ ΠΡΕΠΕΙ ΝΑ ΠΕΡΙΛΑΜΒΑΝΕΙ ΣΥΜΠΛΗΡΩΜΑΤΙΚΟ ΔΙΑΚΟΠΤΗ ΑΠΟΜΟΝΩΣΗΣ ΟΛΩΝ ΤΩΝ ΑΓΩΓΩΝ ΡΕΥΜΑΤΟΣ (ΦΑΣΕΙΣ ΚΑΙ ΟΥΔΕΤΕΡΟ).

ΣΗΜΕΙΩΣΗ: ΑΝ ΕΓΚΑΤΑΣΤΑΘΟΥΝ ΔΥΟ Ή ΠΕΡΙΣΣΟΤΕΡΟΙ ΑΝΕΜΙΣΤΗΡΕΣ ΟΡΟΦΗΣ DC ΣΤΟΝ ΙΔΙΟ ΧΩΡΟ, ΘΑ ΠΡΕΠΕΙ ΝΑ ΥΠΑΡΧΕΙ ΕΝΑΣ ΔΙΑΚΟΠΤΗΣ ΓΙΑ ΚΑΘΕ ΑΝΕΜΙΣΤΗΡΑ. ΑΥΤΟ ΑΠΑΙΤΕΙΤΑΙ ΚΑΤΑ ΤΟΝ ΠΡΟΓΡΑΜΜΑΤΙΣΜΟ ΤΟΥ ΤΗΛΕΧΕΙΡΙΣΤΗΡΙΟΥ ΚΑΙ ΤΟΥ ΔΕΚΤΗ ΓΙΑ ΣΥΖΕΥΞΗ.

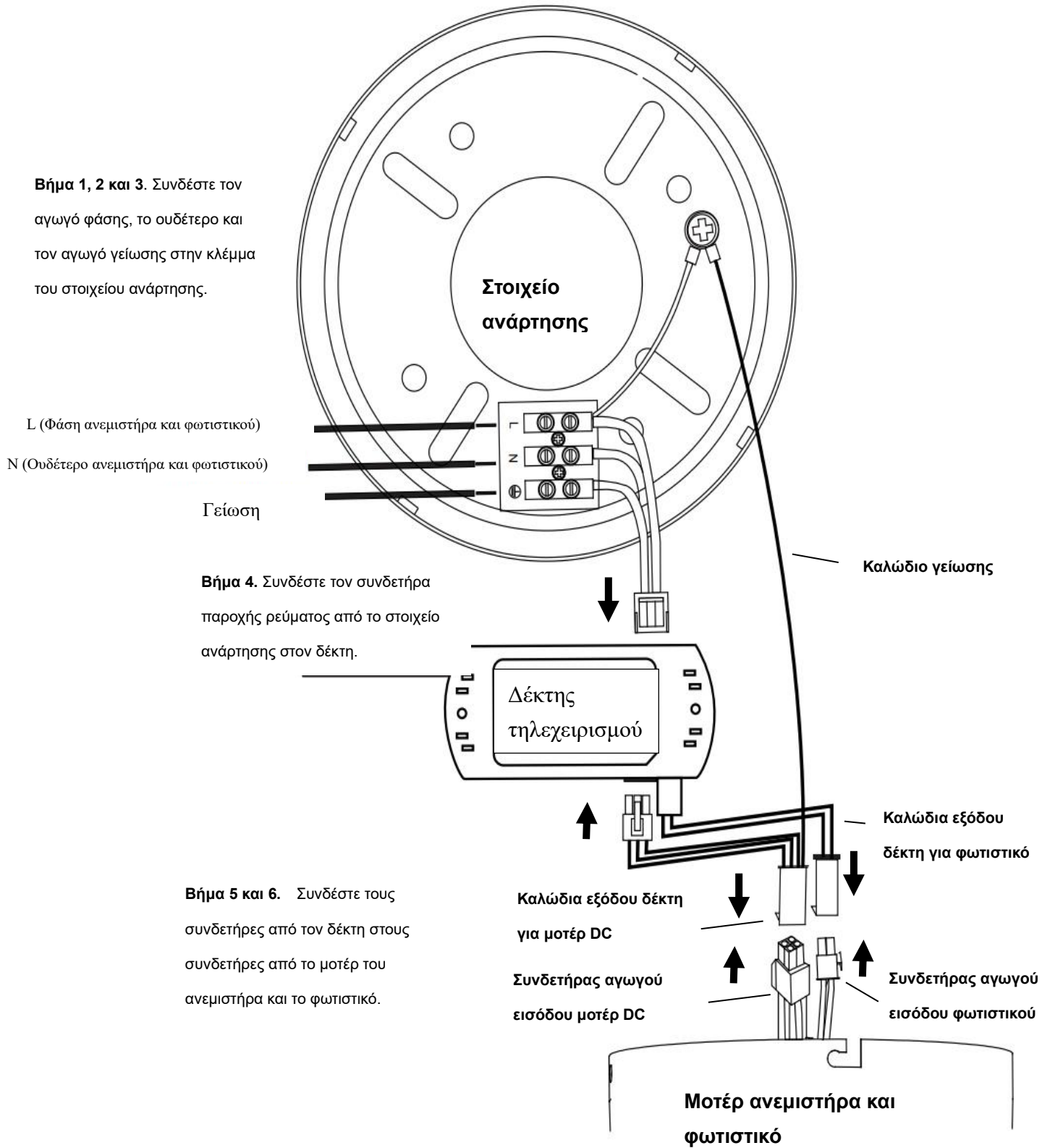
Από την παροχή δικτύου στην κλέμμη ακροδεκτών του στοιχείου ανάρτησης: (Ε ι κ . 4)

1. Συνδέστε τον αγωγό φάσης στον ακροδέκτη «L» της κλέμμης του στοιχείου ανάρτησης.
2. Συνδέστε τον αγωγό ουδέτερου στον ακροδέκτη «N» της κλέμμης του στοιχείου ανάρτησης.
3. Συνδέστε τον αγωγό γείωσης στον ακροδέκτη γείωσης της κλέμμης του στοιχείου ανάρτησης.

Από το στοιχείο ανάρτησης στον δέκτη και στο μοτέρ: (Ε ι κ . 4)

1. Συνδέστε τον συνδετήρα του καλωδίου παροχής από το στοιχείο ανάρτησης στην είσοδο του δέκτη τηλεχειρισμού DC.
2. Συνδέστε τα καλώδια εξόδου για τον δέκτη τηλεχειρισμού DC (από το στοιχείο ανάρτησης με τον αγωγό γείωσης) στην έξοδο του δέκτη τηλεχειρισμού DC (Ε ι κ . 4). Συνδέστε τα καλώδια εξόδου από τον δέκτη τηλεχειρισμού DC μαζί με το καλώδιο γείωσης (από το στοιχείο ανάρτησης με τον αγωγό γείωσης) στην είσοδο του μοτέρ του ανεμιστήρα (Ε ι κ . 4).
3. Συνδέστε τα καλώδια εξόδου από τον δέκτη τηλεχειρισμού DC στα καλώδια εισόδου του φωτιστικού.





Εικ. 4

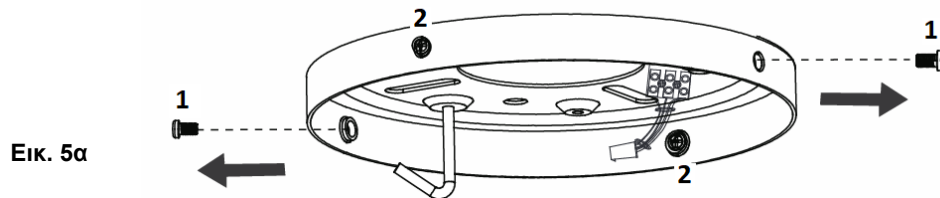


ΤΟΠΟΘΕΤΗΣΗ ΤΟΥ ΣΥΓΚΡΟΤΗΜΑΤΟΣ ΤΟΥ ΑΝΕΜΙΣΤΗΡΑ ΣΤΟ ΣΤΟΙΧΕΙΟ ΑΝΑΡΤΗΣΗΣ

- Αφού ολοκληρώσετε τις ηλεκτρικές συνδέσεις στις κλέμμες του στοιχείου ανάρτησης, συνδέστε τα καλώδια του ανεμιστήρα οροφής με τον ταχυσύνδεσμο.
- **ΣΗΜΕΙΩΣΗ: Επαληθεύστε ότι τα καλώδια γείωσης έχουν συνδεθεί σωστά και με ασφάλεια, διεξάγοντας δοκιμή συνέχειας γείωσης από το προσβάσιμο μεταλλικό σώμα του ανεμιστήρα προς τον ακροδέκτη γείωσης στην κλέμμα ακροδεκτών του στοιχείου ανάρτησης.**

Κρεμάστε το συγκρότημα του ανεμιστήρα στο στοιχείο ανάρτησης (Εικ. 5α):

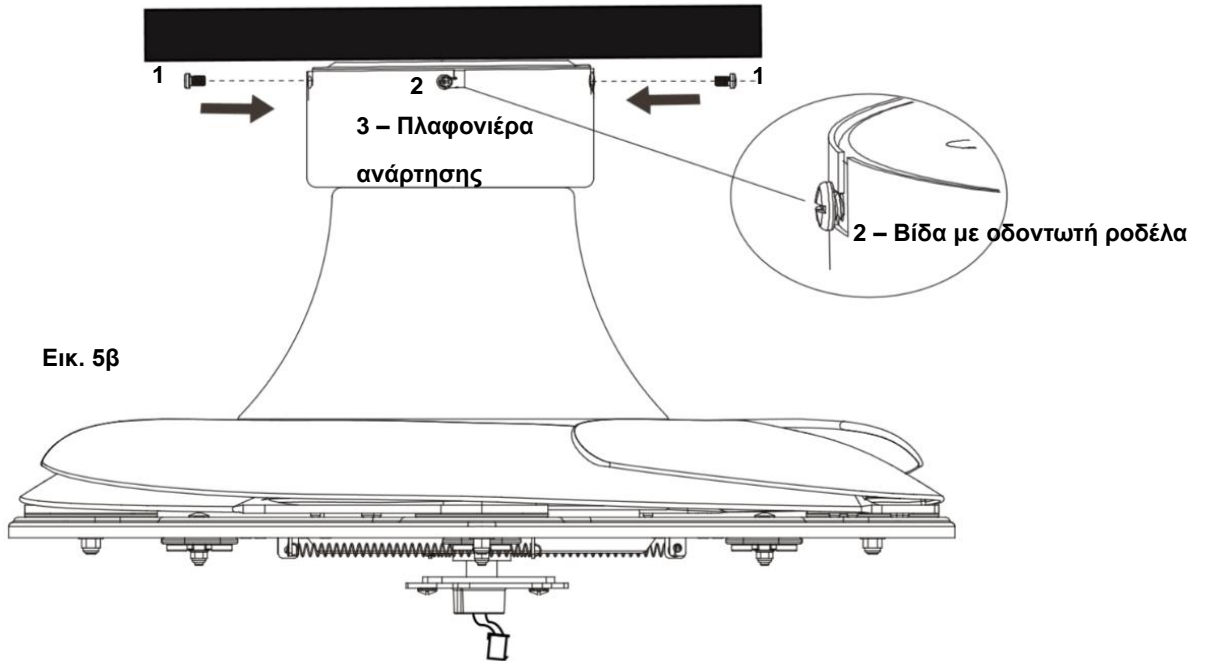
- Χαλαρώστε δύο βίδες της πλαφονιέρας (1) και αφαιρέστε τες από το στοιχείο ανάρτησης.
- Χαλαρώστε τις δύο βίδες της πλαφονιέρας με την οδοντωτή ροδέλα (2) κατά μισή στροφή από το στοιχείο ανάρτησης. (Για στερέωση στην εγκοπή σχήματος L της πλαφονιέρας).



Εικ. 5α

- Σηκώστε την πλαφονιέρα ανάρτησης (3) του συγκροτήματος του ανεμιστήρα κοντά στο στοιχείο ανάρτησης και περάστε τις δύο βίδες της πλαφονιέρας με τις οδοντωτές ροδέλες (2) μέσα από την εγκοπή σχήματος L της πλαφονιέρας ανάρτησης (3). (Εικ. 5β)
- Περιστρέψτε την πλαφονιέρα ανάρτησης (3), μέχρι να ασφαλίσει στην άκρη της εγκοπής σχήματος L. Βεβαιωθείτε ότι η οδοντωτή ροδέλα βρίσκεται ανάμεσα στην πλαφονιέρα ανάρτησης (3) και την κεφαλή της βίδας. Ασφαλίστε, σφίγγοντας τις δύο βίδες της πλαφονιέρας με την οδοντωτή ροδέλα (2).
- Ασφαλίστε και σφίξτε τις βίδες της πλαφονιέρας (1) στο στοιχείο ανάρτησης. Η πλαφονιέρα ανάρτησης (3) πρέπει να έχει 4 βίδες (1) και (2) συνολικά. Προσέξτε να μην προκαλέσετε ζημιά στα ηλεκτρικά καλώδια που συνδέσατε προηγουμένως όταν κρεμάσατε την πλαφονιέρα.

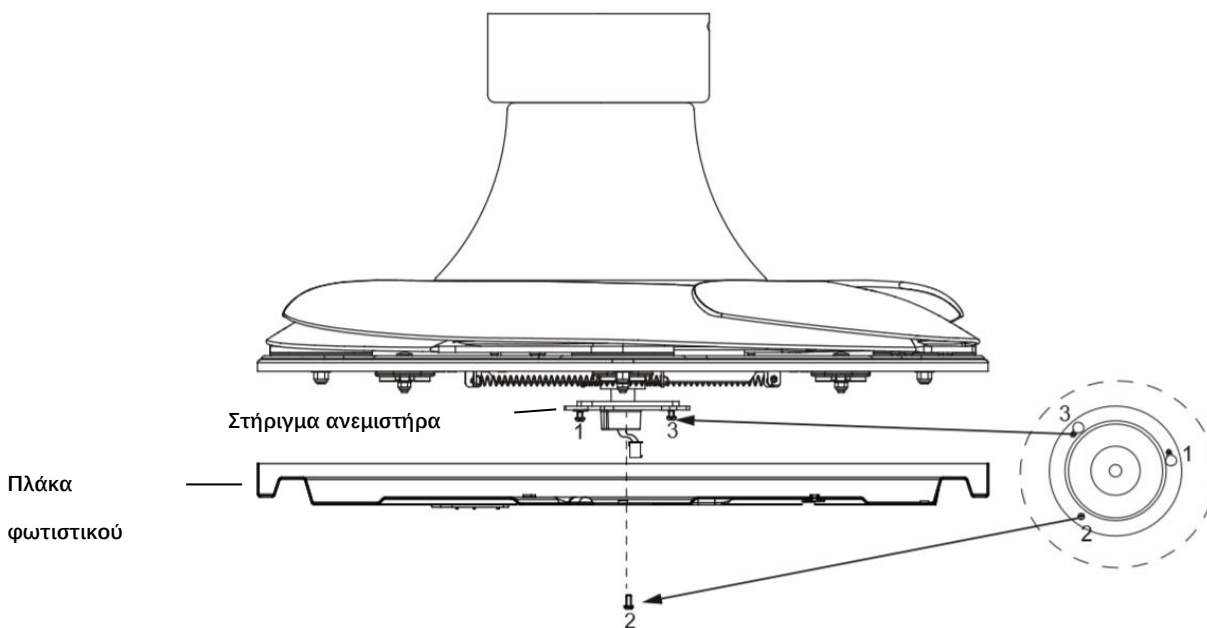




ΤΟΠΟΘΕΤΗΣΗ ΤΟΥ ΦΩΤΙΣΤΙΚΟΥ

ΤΟΠΟΘΕΤΗΣΗ ΤΟΥ ΦΩΤΙΣΤΙΚΟΥ (Εικ. 6 και 7)

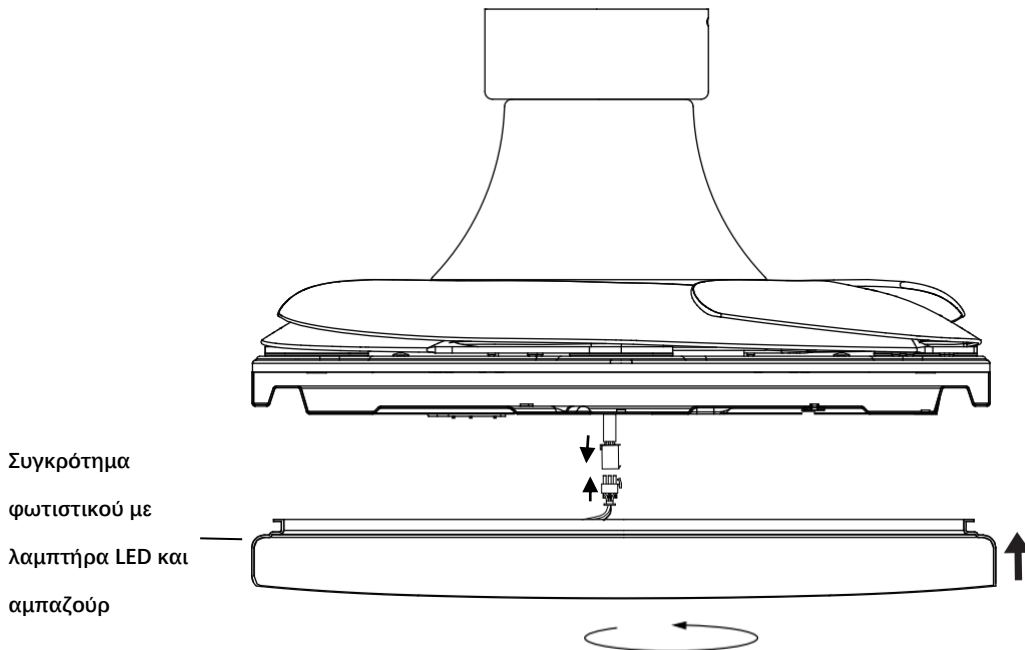
1. Χαλαρώστε τη βίδα (2) στο στοιχείο ανάρτησης πάνω στον ανεμιστήρα. Ευθυγραμμίστε τις δύο βίδες (1 και 3) με τις οπές (1 και 3) στην πλάκα του φωτιστικού. (Εικ. 6)
2. Περιστρέψτε την πλάκα του φωτιστικού αριστερόστροφα, μέχρι να ασφαλισουν οι βίδες (1 και 3) στην άκρη των οπών (1 και 3).
3. Ασφαλίστε τη βίδα (2) στην πλάκα του φωτιστικού. Σφίξτε και τις τρεις βίδες. Μην σφίξετε υπερβολικά.



4. Συνδέστε τον ταχυσύνδεσμο στο συγκρότημα του φωτιστικού με λαμπτήρα LED και αμπαζούρ. (Εικ. 7)

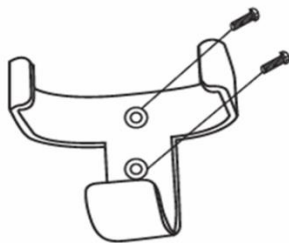


5. Τέλος, τοποθετήστε το συγκρότημα του φωτιστικού με λαμπτήρα LED και αμπαζούρ στην πλάκα του φωτιστικού, περιστρέφοντας δεξιόστροφα (Εικ. 7)



ΤΟΠΟΘΕΤΗΣΗ ΤΟΥ ΣΤΗΡΙΓΜΑΤΟΣ ΓΙΑ ΤΟ ΤΗΛΕΧΕΙΡΙΣΤΗΡΙΟ (Εικ. 8)

1. Βρείτε έναν κατάλληλο τοίχο για να στερεώσετε το στήριγμα του τηλεχειριστηρίου με τις 2 βίδες. (Εικ.8α).
2. Τοποθετήστε το τηλεχειριστήριο μέσα στο στήριγμα. (Εικ. 8β)



Εικ. 8α



Εικ. 8β

ΧΡΗΣΗ ΤΟΥ ΑΝΕΜΙΣΤΗΡΑ ΟΡΟΦΗΣ

ΣΗΜΕΙΩΣΗ: Μετά την εγκατάσταση του ανεμιστήρα οροφής, θα πρέπει να συζεύξετε το τηλεχειριστήριο και τον δέκτη.


ΣΗΜΕΙΩΣΗ: Αν έχουν εγκατασταθεί δύο ή περισσότεροι ανεμιστήρες οροφής στον ίδιο χώρο, ανατρέξτε στις οδηγίες στην επόμενη σελίδα.



ΣΥΖΕΥΞΗ ΤΗΛΕΧΕΙΡΙΣΤΗΡΙΟΥ ΚΑΙ ΔΕΚΤΗ – ΟΤΑΝ ΕΧΕΙ ΕΓΚΑΤΑΣΤΑΘΕΙ 1 ΑΝΕΜΙΣΤΗΡΑΣ ΟΡΟΦΗΣ DC ΣΤΟΝ ΧΩΡΟ

ΣΗΜΕΙΩΣΗ: Βεβαιωθείτε ότι έχει εγκατασταθεί μονοπολικός διακόπτης αποσύνδεσης στη σταθερή καλωδίωση του ανεμιστήρα.

ΣΗΜΕΙΩΣΗ: Βεβαιωθείτε ότι έχετε ενεργοποιήσει τον δέκτη πριν επιχειρήσετε να συζεύξετε το τηλεχειριστήριο με τον δέκτη.

- Απενεργοποιήστε την παροχή ρεύματος στον ανεμιστήρα από τον επιτοίχιο διακόπτη on/off.
- Τοποθετήστε τις μπαταρίες στο τηλεχειριστήριο. Βεβαιωθείτε ότι οι πόλοι της μπαταρίας είναι προσανατολισμένοι σωστά.
- Ενεργοποιήστε τον δέκτη.
- Πατήστε και κρατήστε το κουμπί  του τηλεχειριστηρίου για 3-5 δευτερόλεπτα, μέσα σε διάστημα 30 δευτερολέπτων από τη στιγμή που θα ενεργοποιήσετε τον δέκτη του ανεμιστήρα οροφής.
- Θα ακουστεί ένα «μπιπ» ειδοποίησης από τον δέκτη, που δείχνει ότι η διαδικασία σύζευξης είναι επιτυχής.
- Ενεργοποιήστε τον ανεμιστήρα και αλλάξτε την ταχύτητα του ανεμιστήρα οροφής από το τηλεχειριστήριο, για να ελέγξετε αν λειτουργεί σωστά και αν έχει γίνει σωστά η σύζευξη.
- Αν η σύζευξη δεν ήταν επιτυχής, επαναλάβετε τα παραπάνω βήματα.

ΣΥΖΕΥΞΗ ΤΗΛΕΧΕΙΡΙΣΤΗΡΙΟΥ ΚΑΙ ΔΕΚΤΗ – ΟΤΑΝ ΕΧΟΥΝ ΕΓΚΑΤΑΣΤΑΘΕΙ 2 Ή ΠΕΡΙΣΣΟΤΕΡΟΙ ΑΝΕΜΙΣΤΗΡΕΣ ΟΡΟΦΗΣ DC ΣΤΟΝ ΙΔΙΟ ΧΩΡΟ

Αν υπάρχουν δύο ή περισσότεροι ανεμιστήρες οροφής ο ένας κοντά στον άλλον, μπορεί να θέλετε να κάνετε σύζευξη του τηλεχειριστηρίου/δέκτη για κάθε ανεμιστήρα, έτσι ώστε η λειτουργία του ενός ανεμιστήρα να μην επηρεάζει τη λειτουργία των άλλων.


ΣΗΜΕΙΩΣΗ: Βεβαιωθείτε ότι έχει εγκατασταθεί μονοπολικός διακόπτης αποσύνδεσης στη σταθερή καλωδίωση κάθε ανεμιστήρα.

ΣΗΜΕΙΩΣΗ: Βεβαιωθείτε ότι έχετε **ενεργοποιήσει** τον δέκτη πριν επιχειρήσετε να συζεύξετε το τηλεχειριστήριο με τον δέκτη.


Σύζευξη τηλεχειριστηρίου / δέκτη για ανεμιστήρα οροφής 1:

- Απενεργοποιήστε τους δέκτες και των δύο ανεμιστήρων οροφής 1 και 2.
- Τοποθετήστε τις μπαταρίες στο τηλεχειριστήριο. Βεβαιωθείτε ότι οι πόλοι της μπαταρίας είναι προσανατολισμένοι σωστά.



- Ενεργοποιήστε τον δέκτη 1. Κρατήστε τον δέκτη 2 απενεργοποιημένο. (Κάθε ανεμιστήρας πρέπει να έχει ξεχωριστό διακόπτη απομόνωσης, έτσι ώστε να είναι ενεργοποιημένος μόνο ο ανεμιστήρας που πρέπει να συζευχθεί με το τηλεχειριστήριο).
- Πατήστε και κρατήστε το κουμπί «» του **τηλεχειριστηρίου 1** για 3-5 δευτερόλεπτα, μέσα σε διάστημα 30 δευτερολέπτων από τη στιγμή που θα ενεργοποιήσετε τον δέκτη του ανεμιστήρα οροφής 1.
- Θα ακουστεί ένα «μπιπ» ειδοποίησης από τον δέκτη, που δείχνει ότι η διαδικασία σύζευξης είναι επιτυχής.
- Ενεργοποιήστε τον ανεμιστήρα και αλλάξτε την ταχύτητα του ανεμιστήρα οροφής 1 από το τηλεχειριστήριο, για να ελέγξετε αν λειτουργεί σωστά και αν έχει γίνει σωστά η σύζευξη.
- Αν η σύζευξη δεν ήταν επιτυχής, επαναλάβετε τα παραπάνω βήματα.

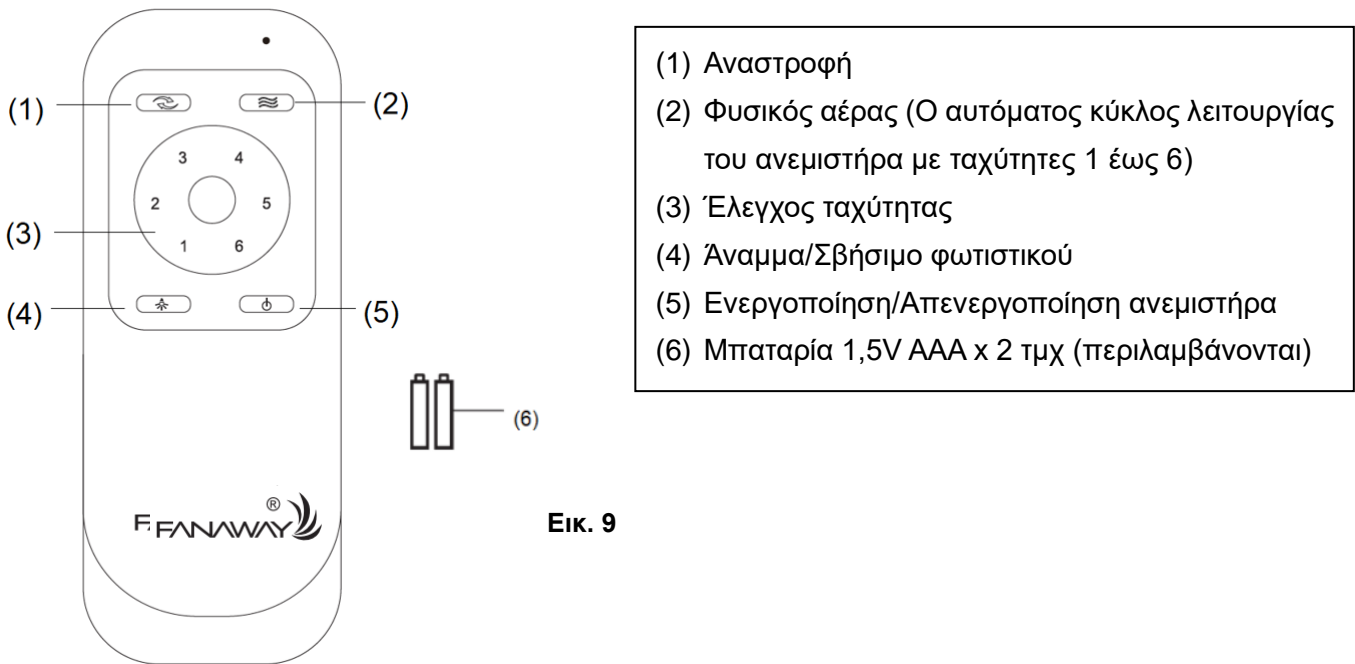
Σύζευξη τηλεχειριστηρίου / δέκτη για ανεμιστήρα οροφής 2:

- Απενεργοποιήστε τους δέκτες και των δύο ανεμιστήρων οροφής 1 και 2.
- Τοποθετήστε τις μπαταρίες στο τηλεχειριστήριο. Βεβαιωθείτε ότι οι πόλοι της μπαταρίας είναι προσανατολισμένοι σωστά.
- Ενεργοποιήστε τον δέκτη 2. Κρατήστε τον δέκτη 1 απενεργοποιημένο. (Κάθε ανεμιστήρας πρέπει να έχει ξεχωριστό διακόπτη απομόνωσης, έτσι ώστε να είναι ενεργοποιημένος μόνο ο ανεμιστήρας που πρέπει να συζευχθεί με το τηλεχειριστήριο).
- Πατήστε και κρατήστε το κουμπί «» του **τηλεχειριστηρίου 2** για 3-5 δευτερόλεπτα, μέσα σε διάστημα 30 δευτερολέπτων από τη στιγμή που θα ενεργοποιήσετε τον δέκτη του ανεμιστήρα οροφής 2.
- Θα ακουστεί ένα «μπιπ» ειδοποίησης από τον δέκτη, που δείχνει ότι η διαδικασία σύζευξης είναι επιτυχής.
- Ενεργοποιήστε τον ανεμιστήρα οροφής 2 και αλλάξτε την ταχύτητα του ανεμιστήρα από το τηλεχειριστήριο, για να ελέγξετε αν λειτουργεί σωστά και αν έχει γίνει σωστά η σύζευξη.

Αν η σύζευξη δεν ήταν επιτυχής, επαναλάβετε τα παραπάνω βήματα.



ΤΗΛΕΧΕΙΡΙΣΤΗΡΙΟ (Εικ. 9)



Εικ. 9

Το φωτιστικό LED περιλαμβάνει λειτουργία ροοστάτη 3 διαβαθμίσεων, που ελέγχεται από το κουμπί ON/OFF του τηλεχειριστηρίου για το φωτιστικό.

Όταν το φωτιστικό LED είναι αναμμένο στο 100% της φωτεινότητας, αναβοσβήστε το κουμπί για το φως (LIGHT) μέσα σε 5 δευτερόλεπτα, για να χαμηλώσετε τον φωτισμό LED. Αν συνεχίσετε να πατάτε το κουμπί και να αναβοσβήνετε το φως μέσα σε 5 δευτερόλεπτα, το φως θα χαμηλώνει περισσότερο, με την εξής ακολουθία: 100% φωτεινότητα → 60% φωτεινότητα → 10% φωτεινότητα → 100% φωτεινότητα.

Για να επιστρέψετε σε 100% φωτεινότητα οποιαδήποτε στιγμή, σβήστε το φωτιστικό, περιμένετε 5 δευτερόλεπτα και μετά ανάψτε το φωτιστικό. Θα επανέλθει σε 100% φωτεινότητα.

ΑΠΟΚΑΤΑΣΤΑΣΗ ΤΗΣ ΣΥΖΕΥΞΗΣ ΤΗΛΕΧΕΙΡΙΣΤΗΡΙΟΥ ΚΑΙ ΔΕΚΤΗ – ΟΤΑΝ ΕΧΕΙ ΕΓΚΑΤΑΣΤΑΘΕΙ 1 ΑΝΕΜΙΣΤΗΡΑΣ ΟΡΟΦΗΣ

- Αν χαθεί ο έλεγχος του δέκτη από το τηλεχειριστήριο μετά την εγκατάσταση ή κατά τη λειτουργία του ανεμιστήρα, θα πρέπει να αποκαταστήσετε τη σύζευξη.
- Παρακάτω αναφέρονται οι ενδείξεις αποσύζευξης κατά τη λειτουργία και η μέθοδος αποκατάστασης της σύζευξης ανάμεσα στο τηλεχειριστήριο και τον δέκτη.

Ενδείξεις:

- Απώλεια ελέγχου - Ο ανεμιστήρας λειτουργεί μόνο στην υψηλή ταχύτητα μετά την εγκατάσταση.
- Απώλεια ελέγχου - Ο ανεμιστήρας δεν λειτουργεί αντίστροφα μετά την εγκατάσταση.



- Απώλεια ελέγχου - Το τηλεχειριστήριο δεν επικοινωνεί με τον δέκτη.

Βήματα αποκατάστασης:

- Απενεργοποιήστε τον ανεμιστήρα οροφής από τον γενικό διακόπτη για 30 δευτερόλεπτα.
- Ενεργοποιήστε τον ανεμιστήρα οροφής από τον γενικό διακόπτη. Ακολουθήστε τη διαδικασία στην παράγραφο «Σύζευξη τηλεχειριστηρίου και δέκτη» για να αποκαταστήσετε τη σύζευξη.
- Ενεργοποιήστε τον ανεμιστήρα και επιλέξτε διαφορετική ταχύτητα, για να επαληθεύσετε ότι λειτουργεί.

ΜΕΤΑ ΤΗΝ ΤΟΠΟΘΕΤΗΣΗ

ΚΛΥΔΩΝΙΣΜΟΣ:

ΣΗΜΕΙΩΣΗ: οι ανεμιστήρες οροφής ταλαντεύονται κατά τη λειτουργία επειδή είναι στερεωμένοι πάνω σε ελαστικές ροδέλες. Αν ο ανεμιστήρας ήταν στερεωμένος σε άκαμπτα στοιχεία στην οροφή, θα προκαλούσαν υπερβολικοί κραδασμοί. Η ταλάντευση κατά λίγα εκατοστά είναι αποδεκτή και ΔΕΝ συνιστά πρόβλημα.

ΓΙΑ ΝΑ ΠΕΡΙΟΡΙΣΕΤΕ ΤΗΝ ΤΑΛΑΝΤΕΥΣΗ ΤΟΥ ΑΝΕΜΙΣΤΗΡΑ:

Βεβαιωθείτε ότι όλες οι βίδες που συγκρατούν το στοιχείο ανάρτησης.

ΣΗΜΕΙΩΣΗ: Αυτός ο ανεμιστήρας έχει ζυγостаθμιστεί με ακρίβεια στο εργοστάσιο και δεν χρειάζεται να ζυγостаθμιστεί ξανά.

ΘΟΡΥΒΟΣ:

Όταν επικρατεί ησυχία (ιδιαίτερα τη νύχτα), μπορεί να ακούτε σποραδικά μικρούς θορύβους. Μικρές διακυμάνσεις στην ένταση του ρεύματος και παρεμβολές σημάτων συχνότητας στο ηλεκτρικό κύκλωμα μπορεί να προκαλέσουν διάφορους θορύβους από το μοτέρ του ανεμιστήρα. Αυτό είναι φυσιολογικό. Περιμένετε ένα 24ωρο για να εξομαλυνθεί η λειτουργία του ανεμιστήρα. Οι περισσότεροι θόρυβοι που ακούγονται όταν λειτουργεί πρώτη φορά ο ανεμιστήρας σταματούν στη συνέχεια.

Σημειώστε ότι δεν πρόκειται για ελάττωμα του προϊόντος και συνεπώς δεν καλύπτεται από την εγγύηση – Όλοι οι ηλεκτροκινητήρες κάνουν κάποιο θόρυβο.

ΦΡΟΝΤΙΔΑ ΚΑΙ ΚΑΘΑΡΙΣΜΟΣ

ΣΗΜΕΙΩΣΗ: Κλείνετε πάντα τον κεντρικό ηλεκτρικό διακόπτη πριν πραγματοποιήσετε εργασίες συντήρησης και πριν καθαρίσετε τον ανεμιστήρα.

- Η μόνη συντήρηση που απαιτεί ο ανεμιστήρας οροφής είναι ο περιοδικός καθαρισμός κάθε 6 μήνες. Χρησιμοποιήστε μια μαλακή βούρτσα ή ένα πανί που δεν αφήνει χνούδι για να μη χαράξετε τη βαφή. Κλείνετε τον διακόπτη ηλεκτρικής τροφοδοσίας κατά τον καθαρισμό.
- Μη μουσκεύετε και μη βυθίζετε τον ανεμιστήρα οροφής σε νερό ή άλλα υγρά. Μπορεί να υποστεί ζημιά το μοτέρ ή τα πτερύγια και αυξάνεται ο κίνδυνος ηλεκτροπληξίας.
- Προσέξτε να μην έρθει σε επαφή ο ανεμιστήρας με οργανικούς διαλύτες ή καθαριστικά.



- Για να καθαρίσετε τα πτερύγια του ανεμιστήρα, σκουπίστε τα μόνο με ένα καθαρό υγρό πανί, χωρίς οργανικούς διαλύτες ή καθαριστικά.
- Το μοτέρ περιλαμβάνει ένσφαιρο έδρανο μόνιμης λίπανσης, οπότε δεν απαιτεί λίπανση.

ΠΡΟΦΥΛΑΞΕΙΣ ΑΣΦΑΛΕΙΑΣ ΓΙΑ ΤΗΝ ΜΠΑΤΑΡΙΑ

- **ΠΡΟΕΙΔΟΠΟΙΗΣΗ** – Φυλάσσετε τις νέες και τις χρησιμοποιημένες μπαταρίες μακριά από παιδιά.
- **ΠΡΟΣΟΧΗ** – Μην καταπίνετε τις μπαταρίες—Κίνδυνος χημικού εγκαύματος.
- Χρησιμοποιείτε πάντα 2 μπαταρίες AAA με το τηλεχειριστήριο αυτού του ανεμιστήρα οροφής.
- Τοποθετήστε τις μπαταρίες με τη σωστή πολικότητα.
- Για να μην τεθεί κατά λάθος σε λειτουργία ο ανεμιστήρας κατά την εισαγωγή ή την αντικατάσταση των μπαταριών, πρέπει να αποσυνδέσετε τον ανεμιστήρα οροφής από την παροχή ρεύματος.
- Αφαιρείτε τις μπαταρίες από το προϊόν, αν δεν πρόκειται να χρησιμοποιηθεί για μεγάλο διάστημα.
- Οι μπαταρίες πρέπει να αφαιρούνται από το τηλεχειριστήριο πριν το απορρίψετε.
- Απορρίπτετε τις χρησιμοποιημένες μπαταρίες αμέσως και με ασφάλεια (έτσι ώστε να μην μπορούν να τις βρουν παιδιά). Οι εξαντλημένες μπαταρίες παραμένουν επικίνδυνες. Επικοινωνήστε με την τοπική δημοτική αρχή σχετικά με την ασφαλή απόρριψη της μπαταρίας.
- Ελέγχετε τακτικά το προϊόν για να βεβαιωθείτε ότι το καπάκι των μπαταριών είναι ασφαλισμένο. Αν δεν κλείνει καλά το καπάκι των μπαταριών, σταματήστε να χρησιμοποιείτε το προϊόν και φυλάξτε το μακριά από τα παιδιά.
- Αν πιστεύετε ότι κάποιος έχει καταπιεί μπαταρίες ή έχει τοποθετήσει μπαταρίες σε οποιοδήποτε μέρος του σώματός του, απευθυνθείτε αμέσως σε γιατρό. Αν υποπτεύεστε ότι το παιδί σας έχει καταπιεί μπαταρία-κουμπί ή έχει τοποθετήσει την μπαταρία μέσα στο σώμα του, καλέστε τις πρώτες βοήθειες στη χώρα σας, εάν βρίσκεστε στην Ευρώπη, για άμεση παροχή εξειδικευμένων συμβουλών.
- Διαρροές μπαταρίας: Η μπαταρίες περιέχουν χημικές ουσίες και πρέπει να τις μεταχειρίζεστε όπως όλες τις χημικές ουσίες. Λαμβάνετε προληπτικά μέτρα κατά τον χειρισμό χημικών που έχουν διαρρεύσει από μπαταρίες. Μην καταπίνετε χημικά υγρά μπαταριών και μην αγγίζετε τα μάτια σας με χημικά μπαταριών. Καλέστε τις πρώτες βοήθειες στη χώρα σας, εάν βρίσκεστε στην Ευρώπη, για άμεσες εξειδικευμένες συμβουλές.



ΤΕΧΝΙΚΕΣ ΠΛΗΡΟΦΟΡΙΕΣ

Ανεμιστήρας	Ανεμιστήρας DC 36" – Fanaway Orbit
Μοντέλα ανεμιστήρα	LD-36 CTC FAN (SKU# 210664 / 210665 / 210666)
Ονομαστική τάση	220-240V~ 50Hz
Ονομαστική ισχύς (μοτέρ)	25W
Ονομαστική ισχύς (λαμπτήρας)	25W, 2000 LM, 3000K, ροοστάτης (3 διαβαθμίσεις)
Μπαταρία τηλεχειριστηρίου	2 x AAA (περιλαμβάνονται)
Βάρος	7,2kg
Διαστάσεις πλαφονιέρας	Υ:60mm Διάμ.:150mm

ΠΛΗΡΟΦΟΡΙΕΣ ΓΙΑ ΤΗΝ ΕΓΓΥΗΣΗ

ΣΤΗΝ ΕΥΡΩΠΗ – Αν είστε πελάτης από την Ευρώπη, απευθυνθείτε στο κατάστημα λιανικής απ' όπου αγοράσατε τον ανεμιστήρα, για σέρβις στο πλαίσιο της εγγύησης.

