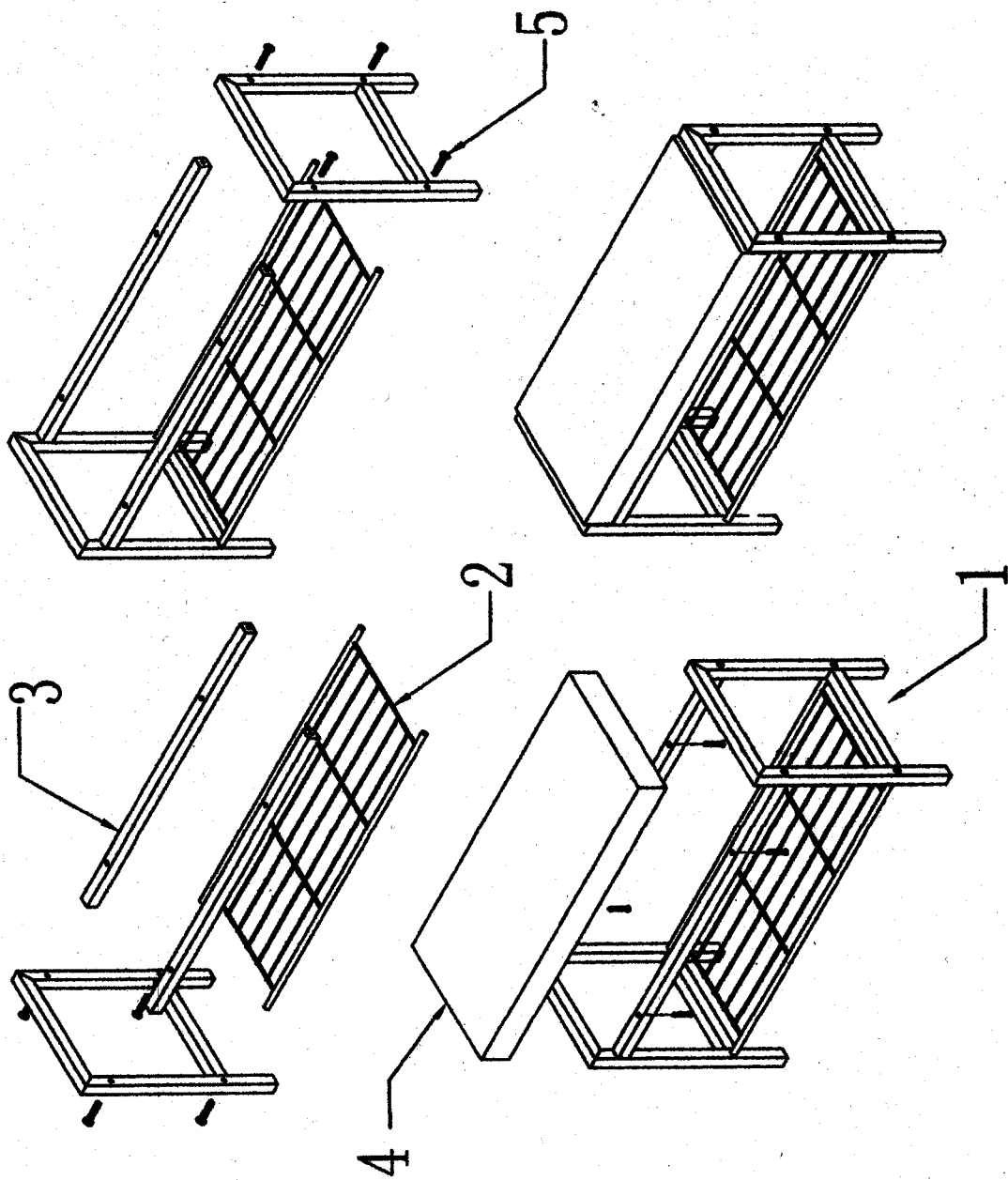


18719

PO# 6354



NO.	FIGURE	QUANTITY
1		2
2		1
3		2
4		1
5		8
6		4