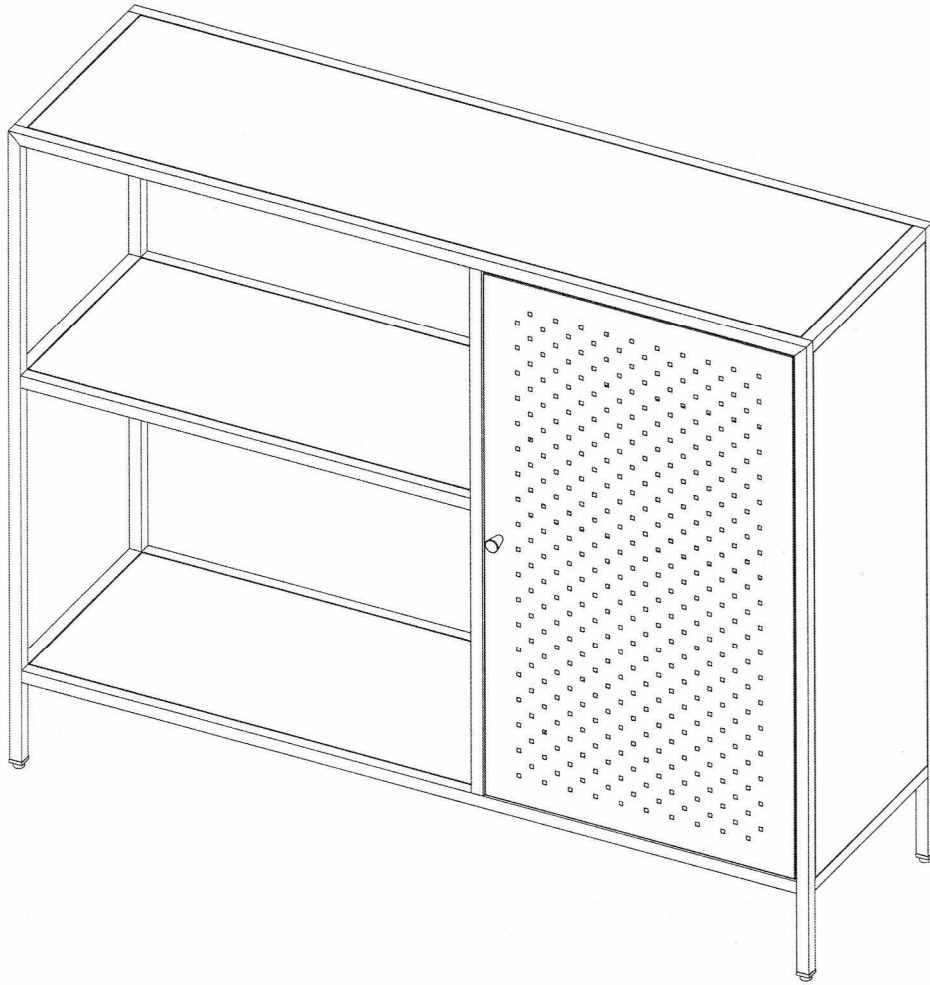
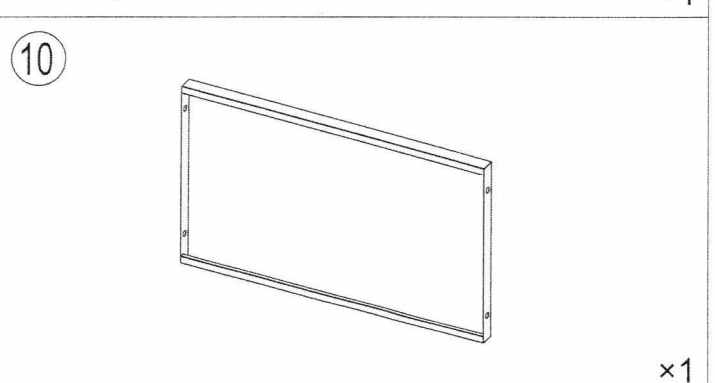
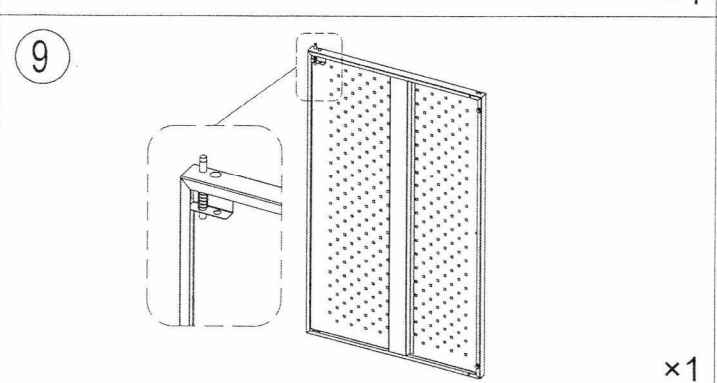
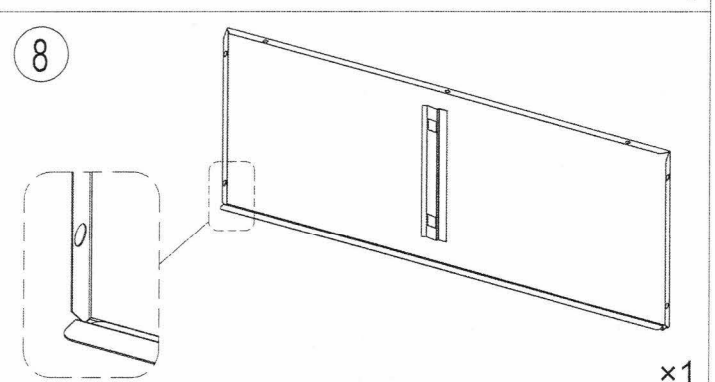
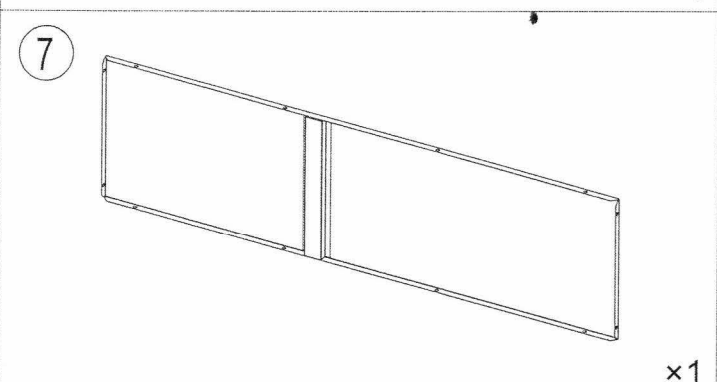
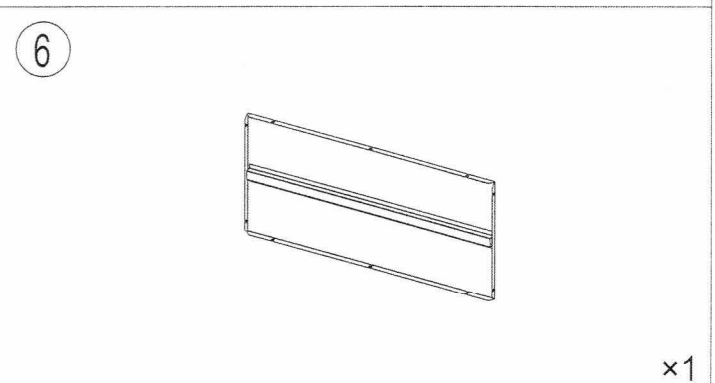
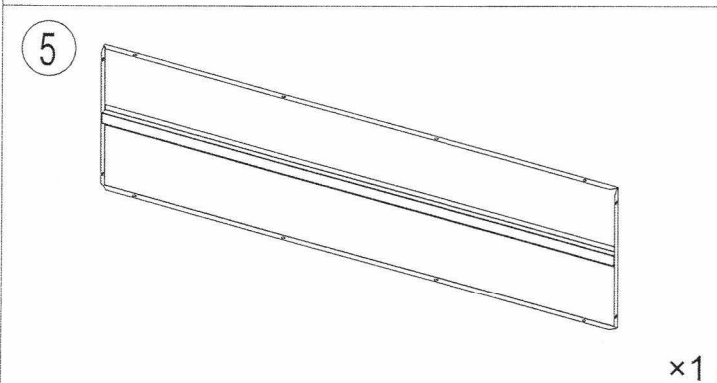
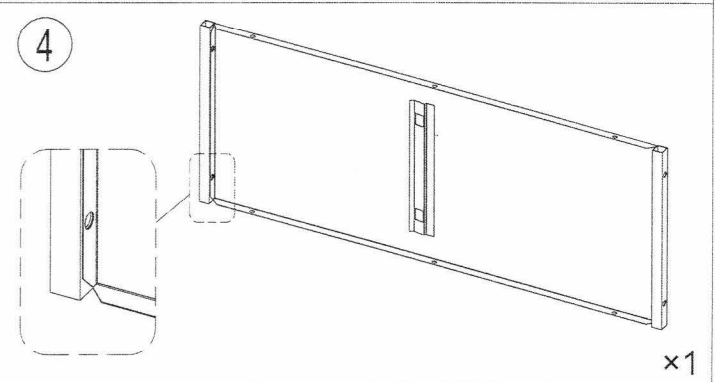
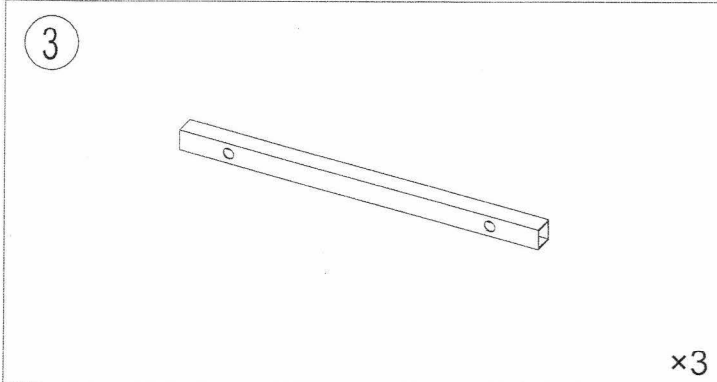
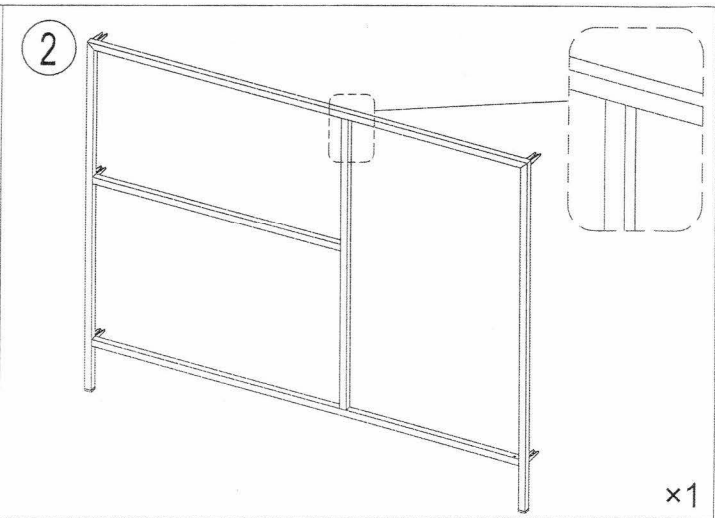
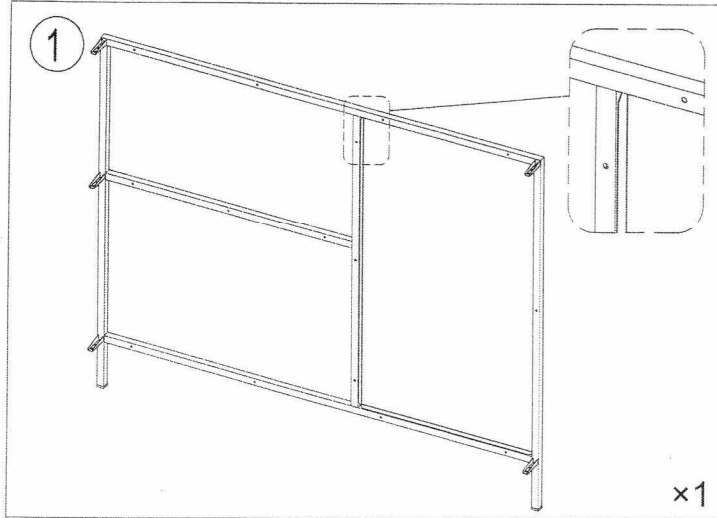

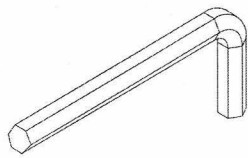

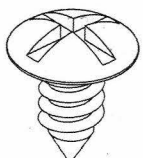


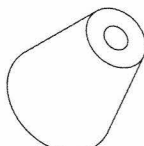
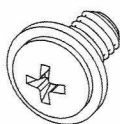
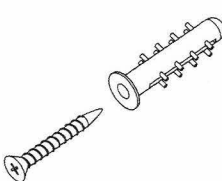
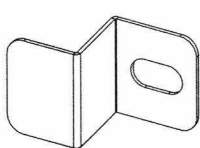


# Assembly Instruction 37523


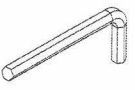
Po# 102884

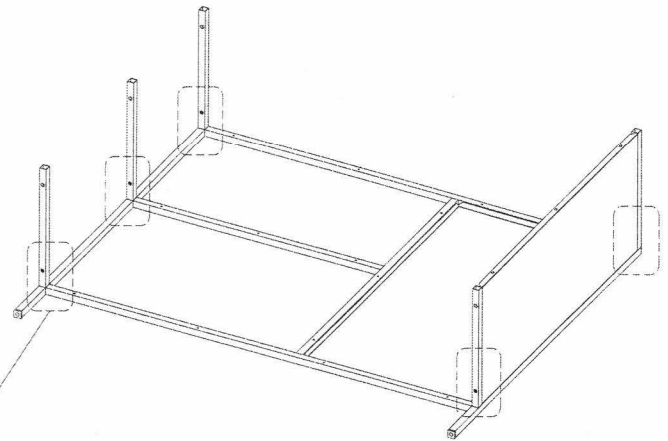
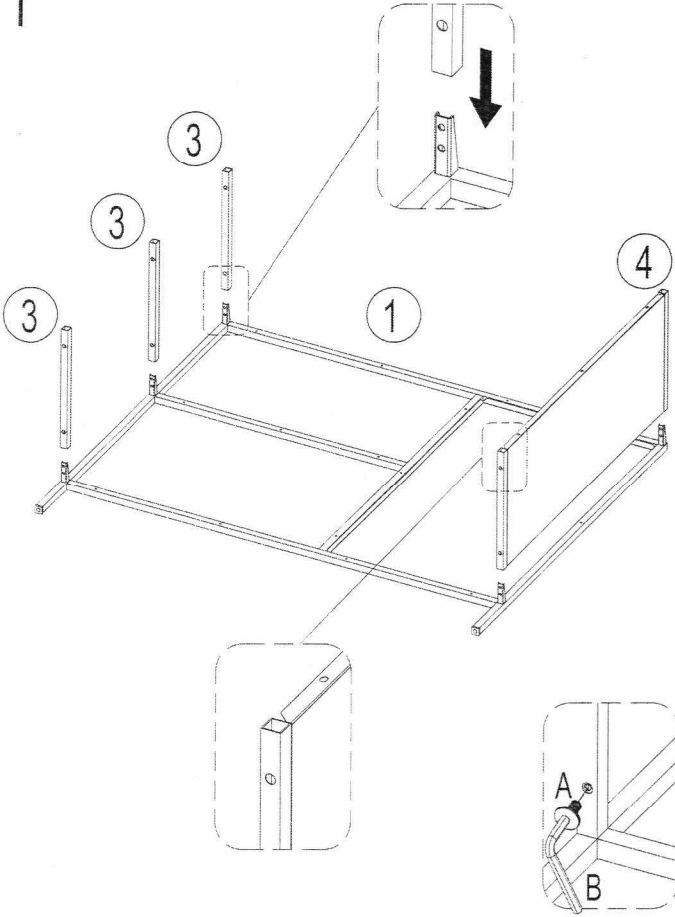





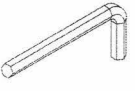


<p>A</p>  <p>M6×10 mm      ×10</p>	<p>B</p>  <p>4 mm      ×1</p>	<p>C</p>  <p>M6      ×4</p>	<p>D</p>  <p>M5×12 mm      ×30</p>
<p>E</p>  <p>∅4.8 mm      ×1</p>	<p>F</p>  <p>×1</p>	<p>G</p>  <p>×1</p>	<p>H</p>  <p>M4×4 mm      ×1</p>
<p>I</p>  <p>M4×30 mm      ×2</p>	<p>J</p>  <p>×2</p>		

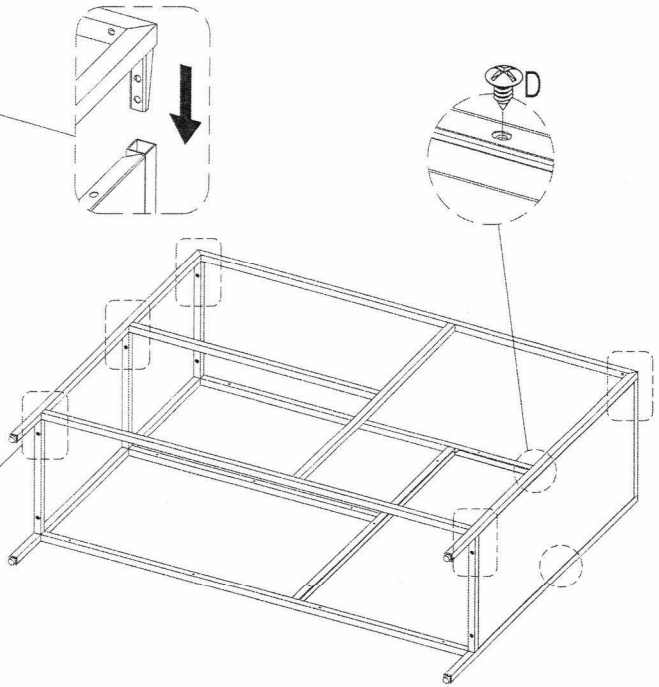
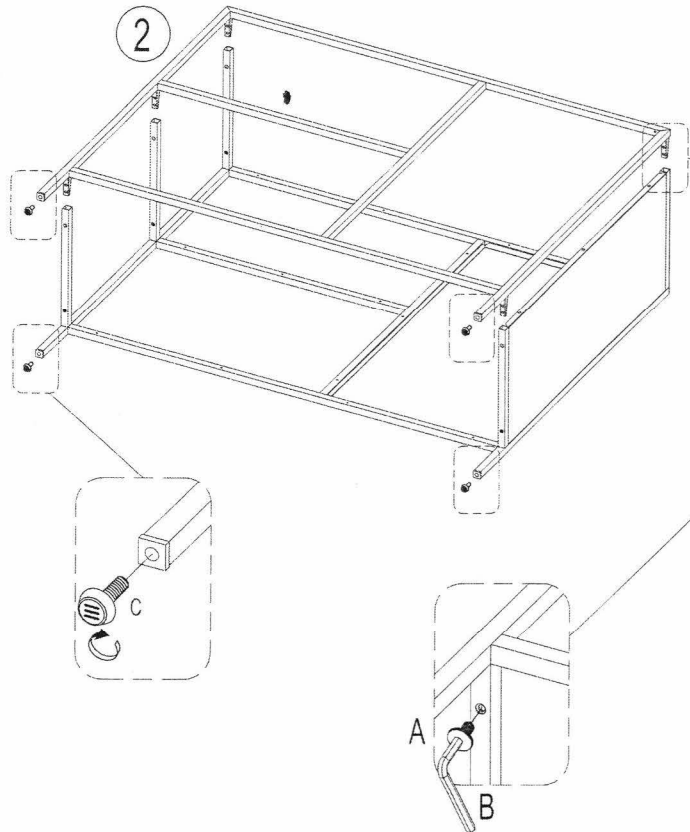
1

A × 5	B × 1
	
M6×10 mm	4 mm



2

A × 5	B × 1	C × 4	D × 2
			
M6×10 mm	4 mm	M6	M5×12 mm

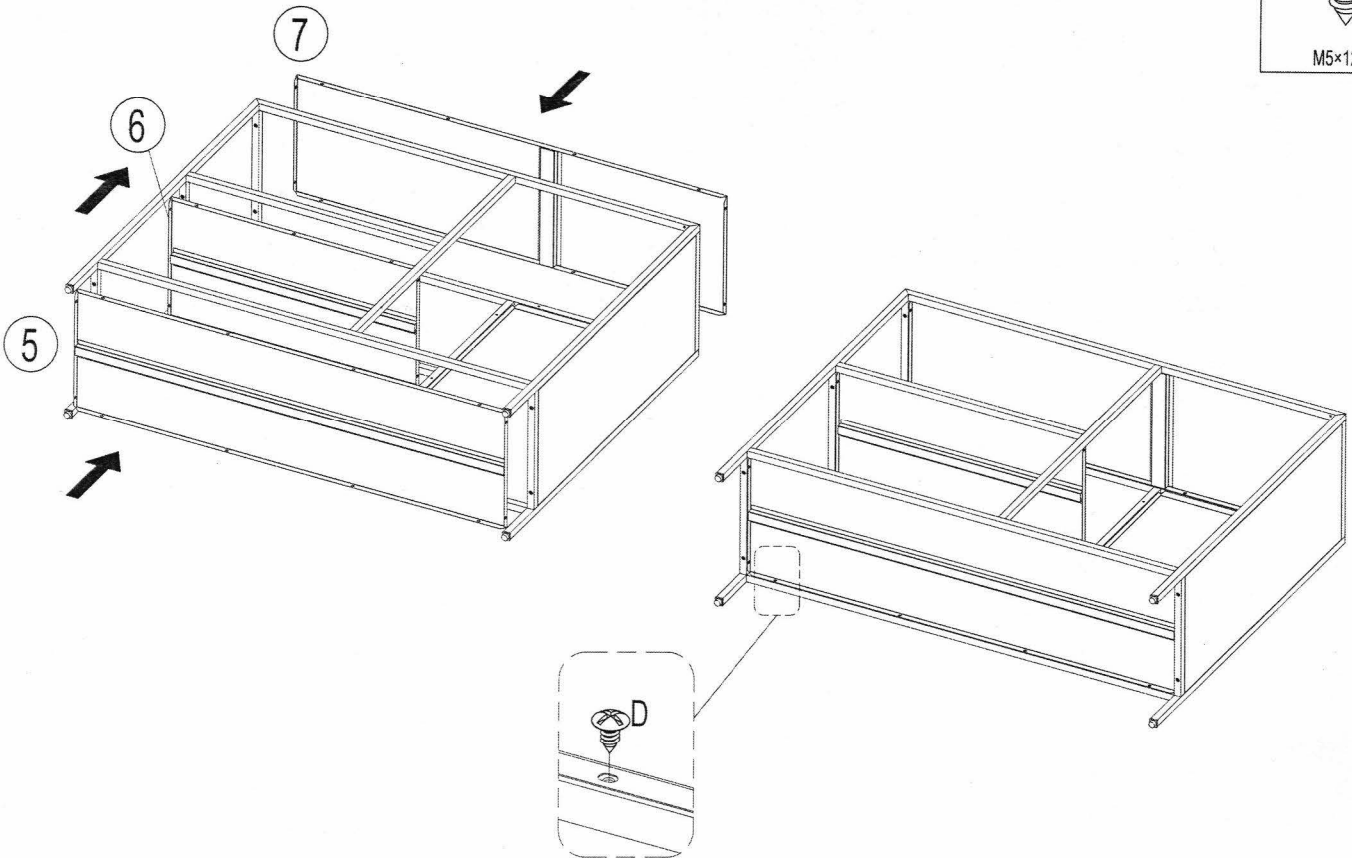


3

D × 22



M5 × 12 mm

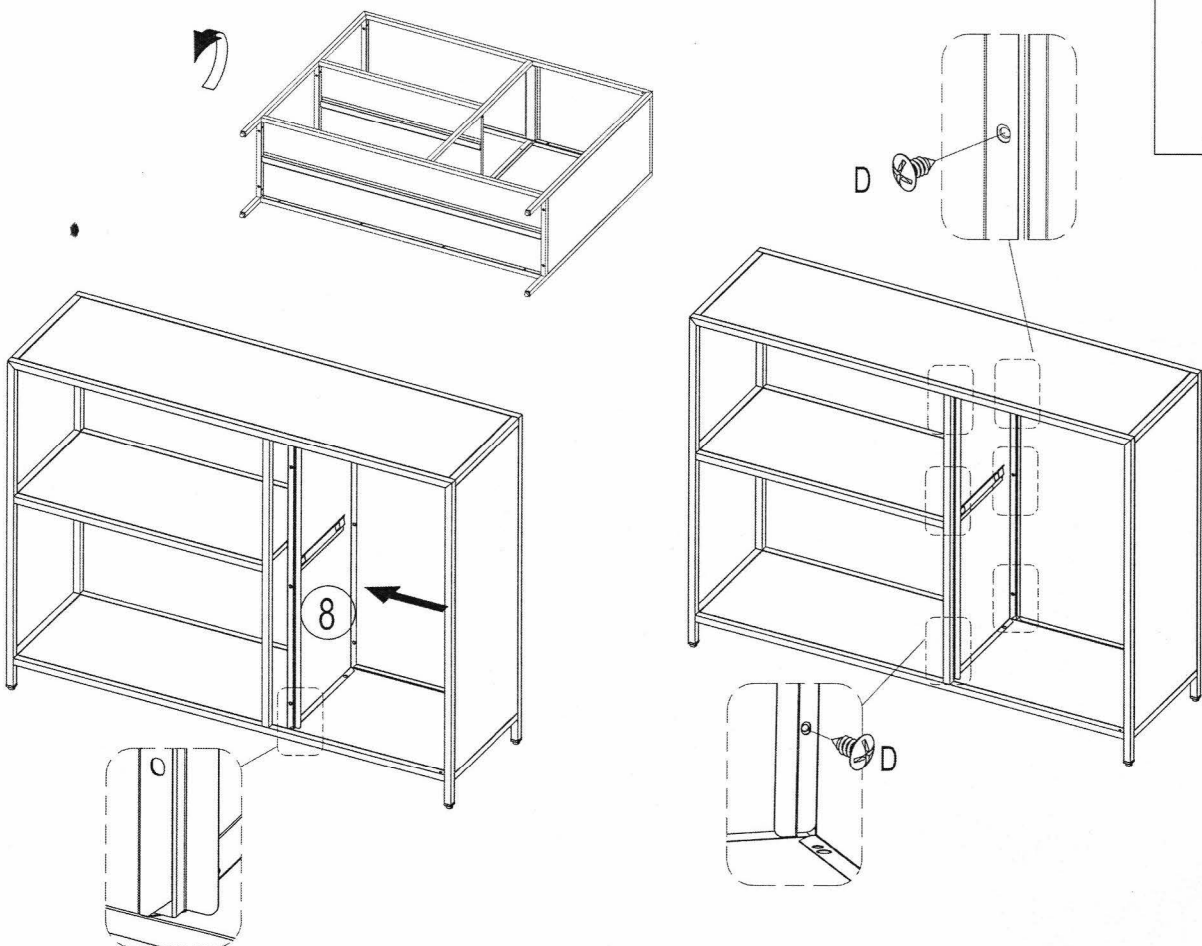


4

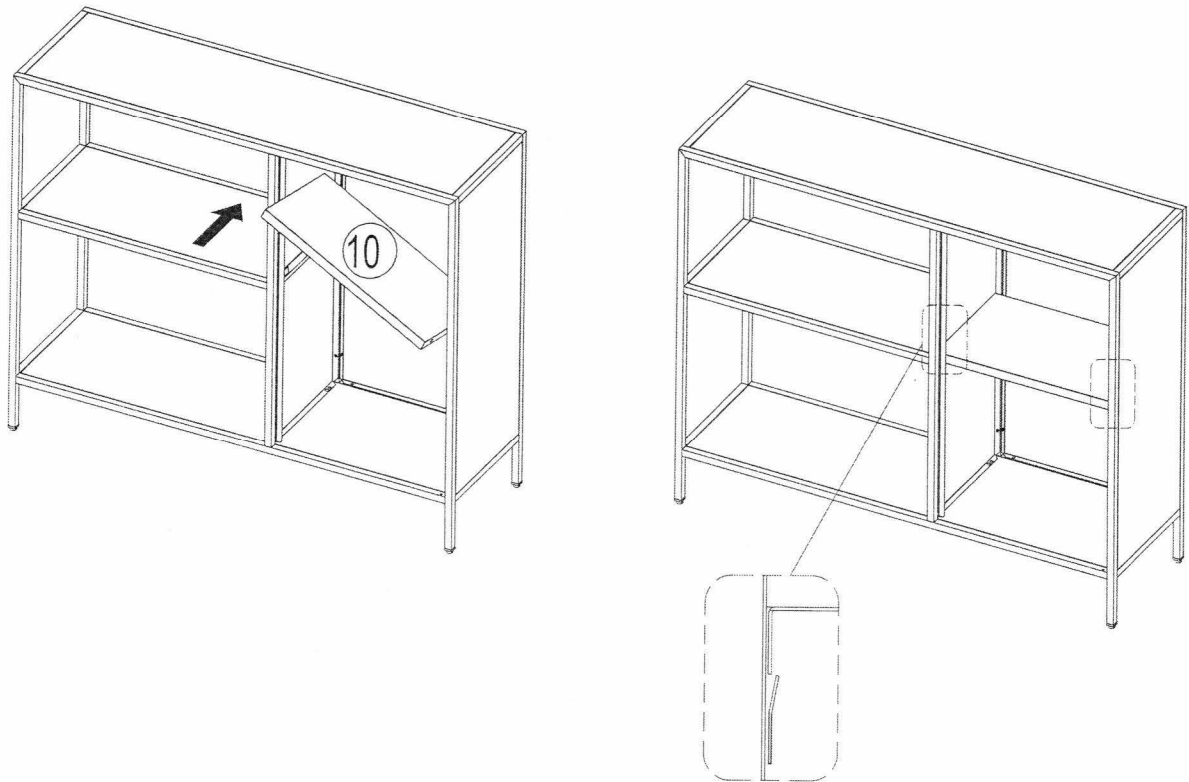
D × 6



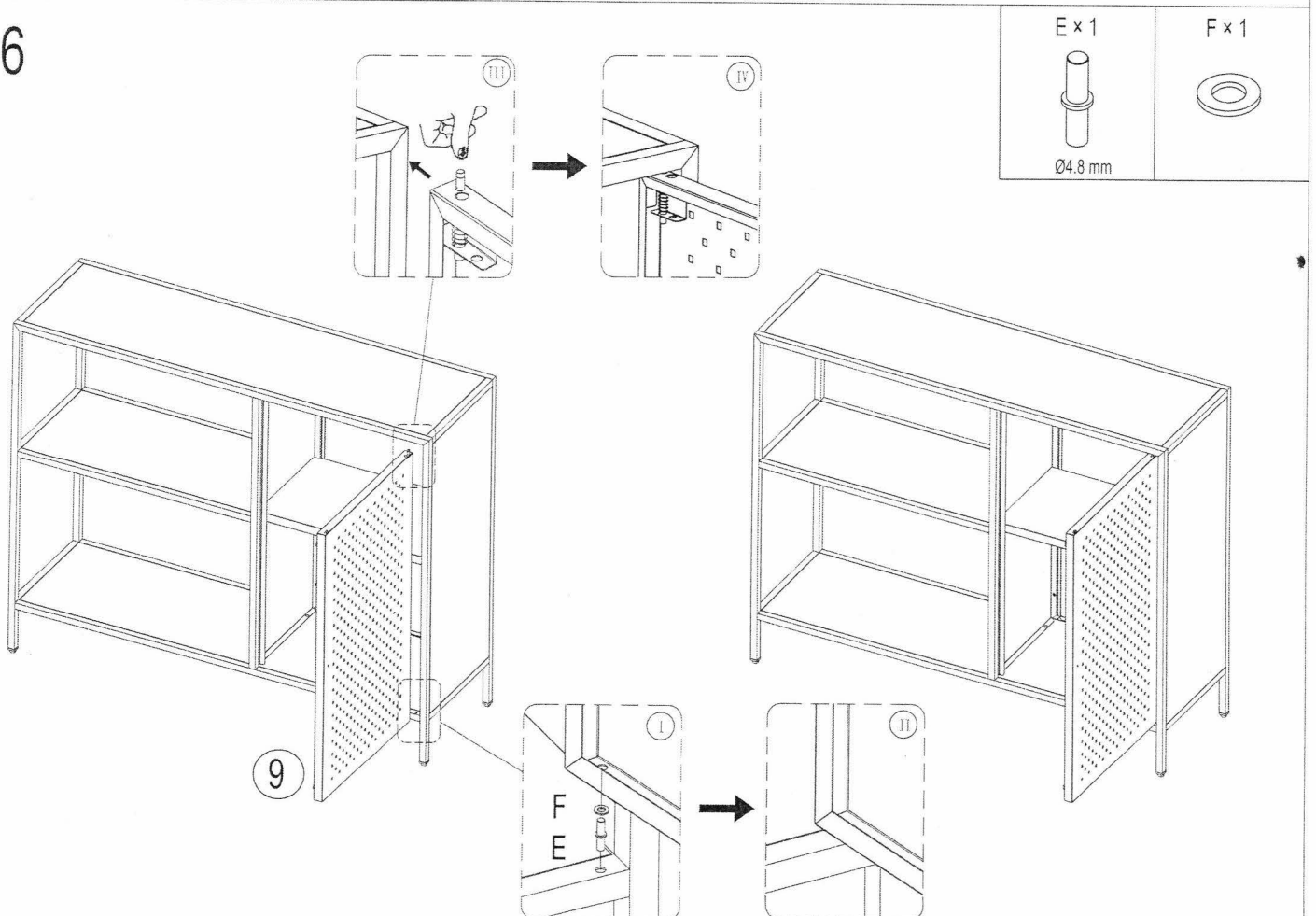
M5 × 12 mm



5



6



7

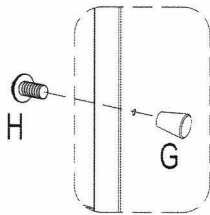
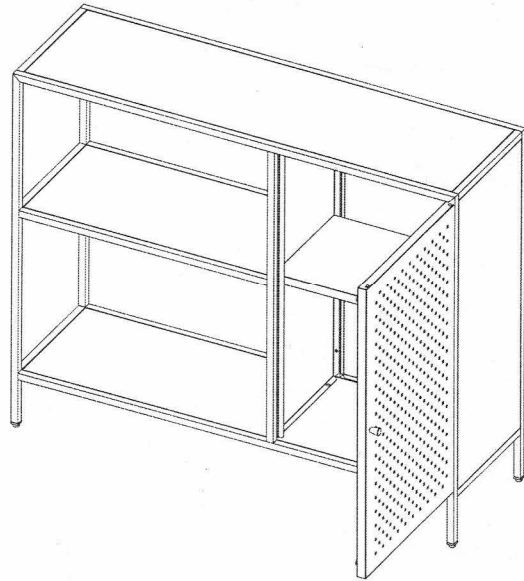
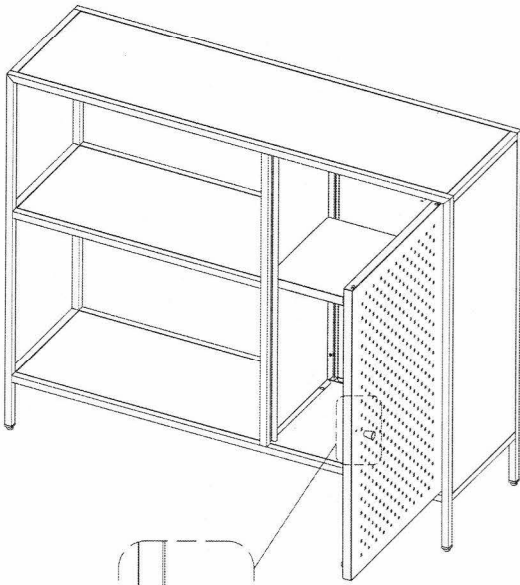
G × 1



H × 1



M4 × 4 mm



8

I × 2



M4 × 30 mm

J × 2

