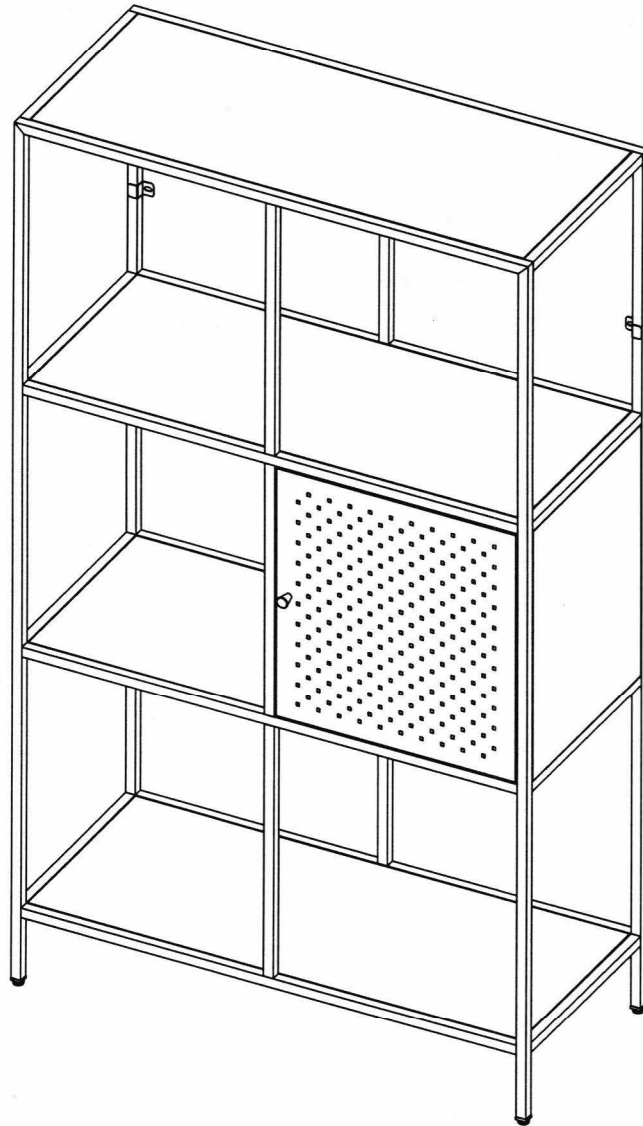
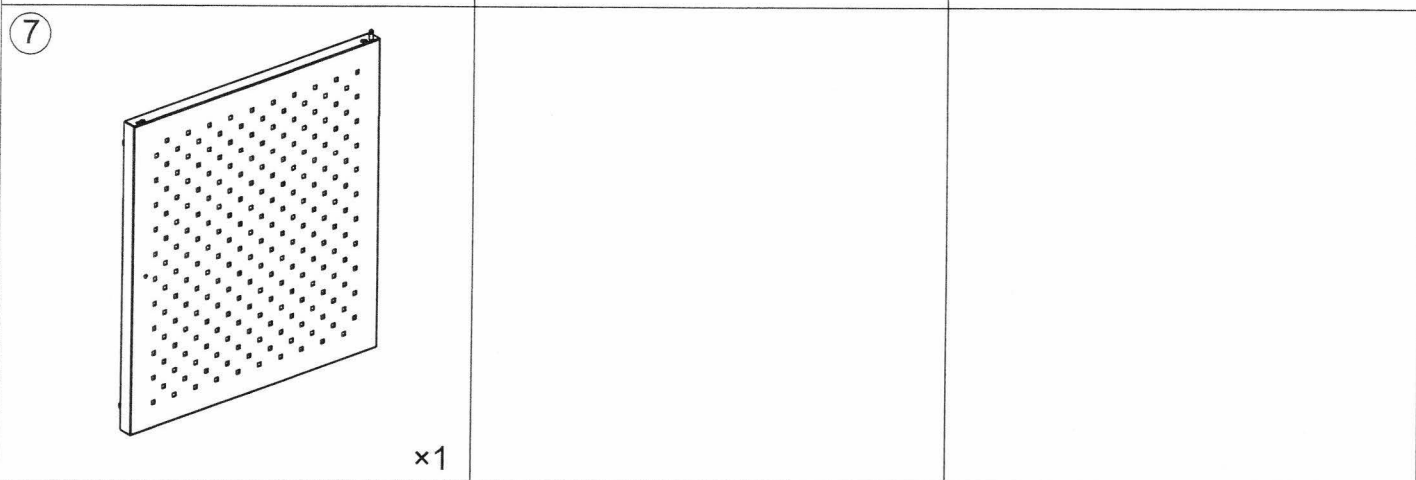
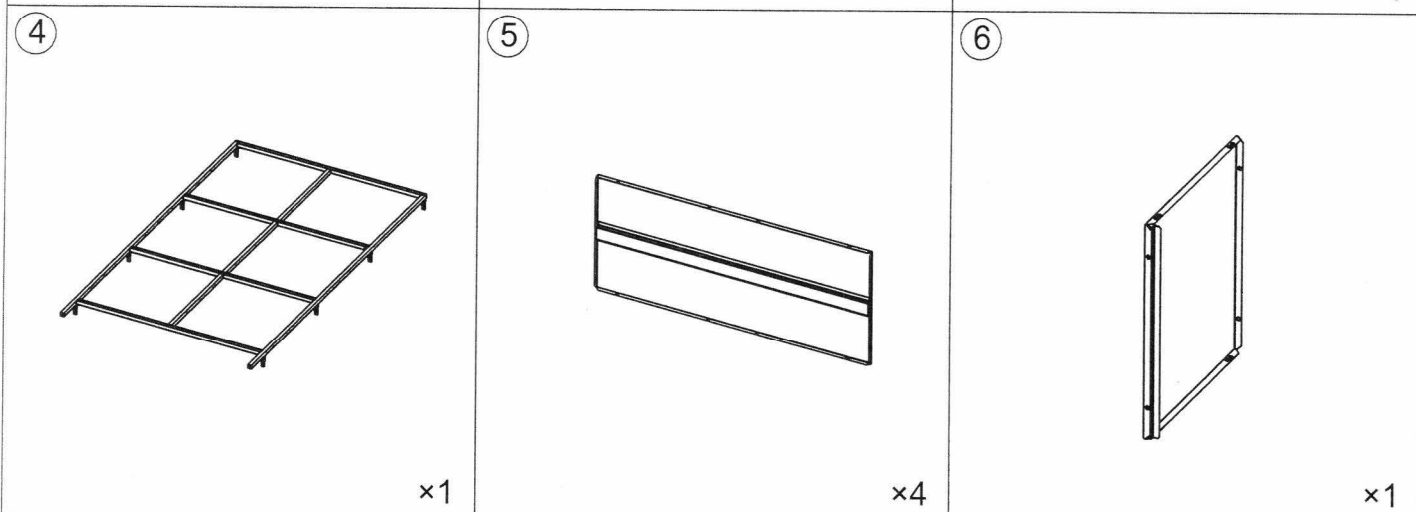
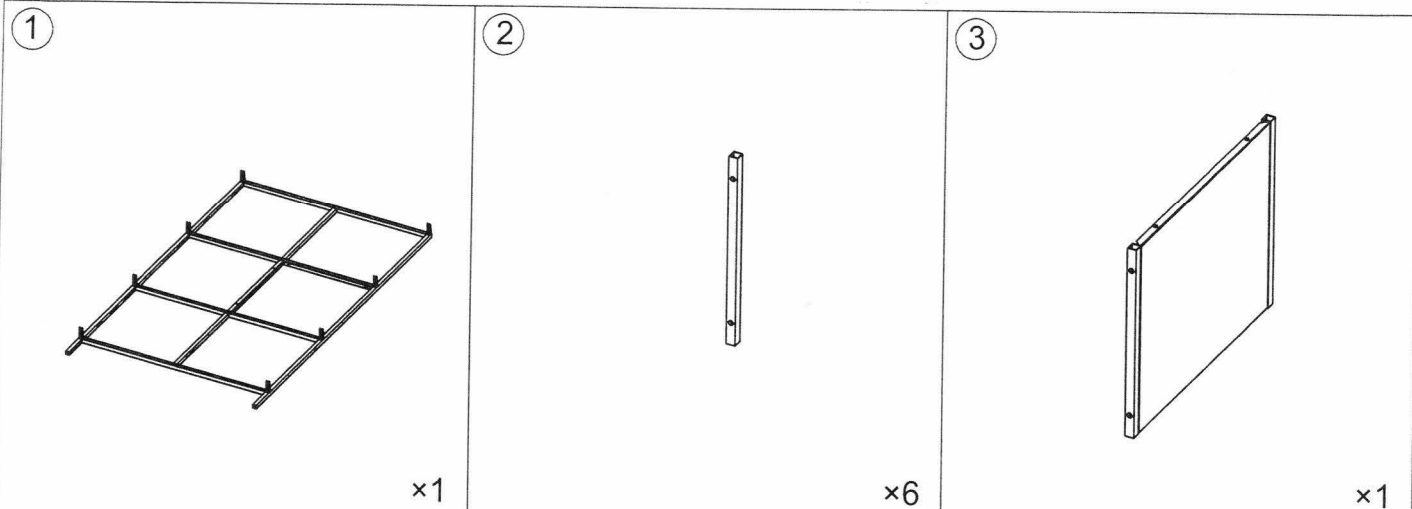







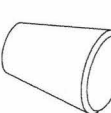
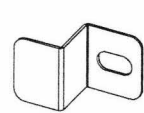



# Assembly Instruction 37524


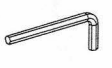
Po# 102884

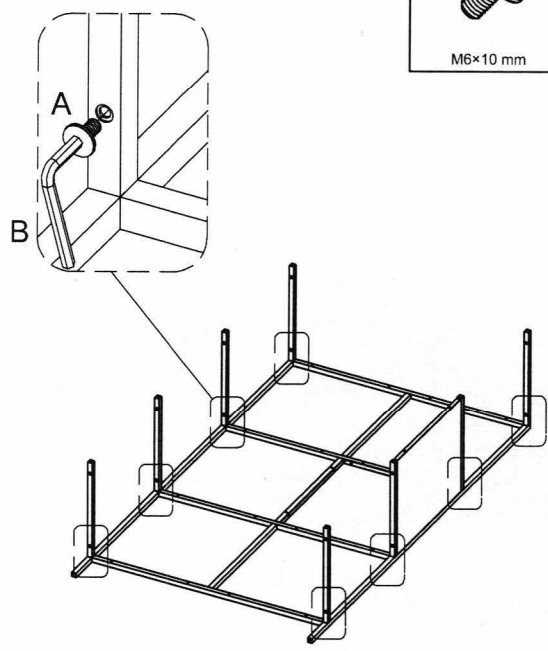
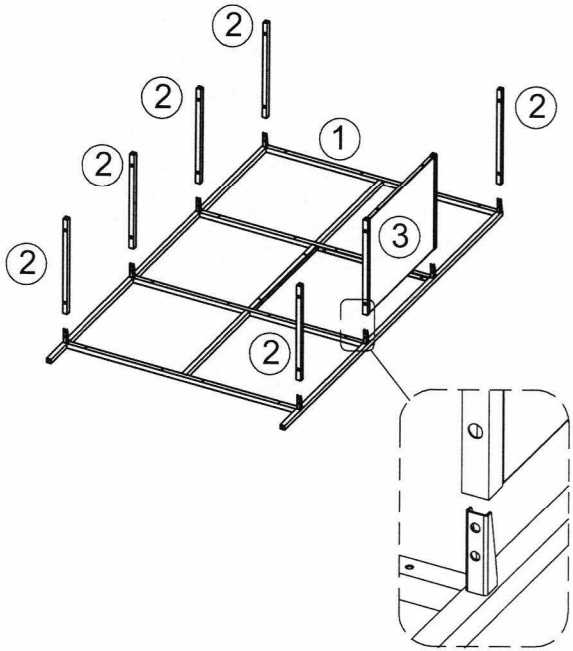





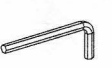
<p>A×16</p>  <p>M6×10 mm</p>	<p>B×1</p>  <p>4 mm</p>	<p>C×4</p>  <p>M6</p>	<p>D×36</p>  <p>M5×12 mm</p>	<p>E×1</p>  <p>Φ4.8 mm</p>
<p>F×1</p>  <p>1 mm</p>	<p>G×1</p>  <p>M4×4 mm</p>	<p>H×1</p> 	<p>I×2</p> 	<p>J×2</p>  <p>M4×30 mm</p>

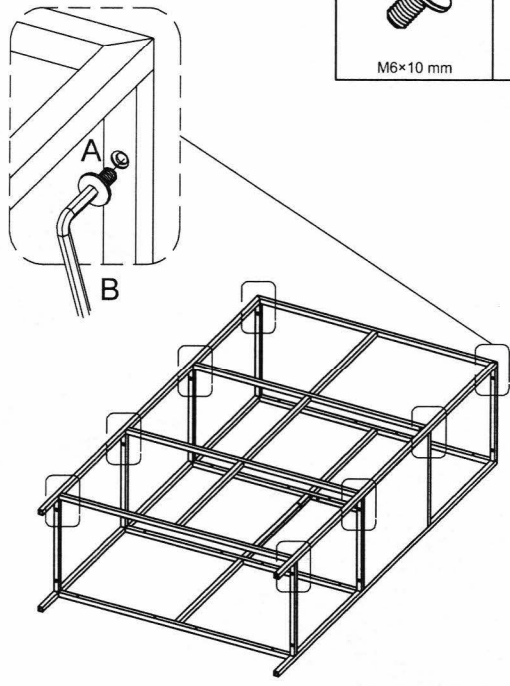
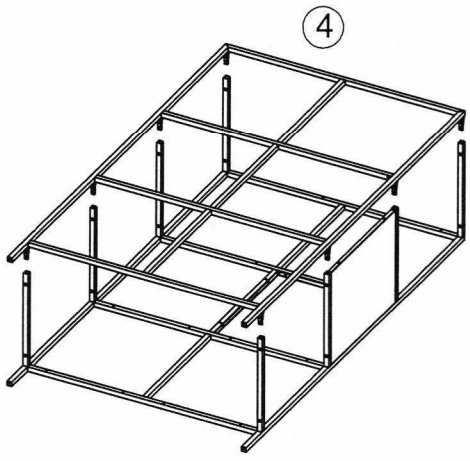
# 1

A × 8	B × 1
	
M6×10 mm	4 mm



# 2

A × 8	B × 1
	
M6×10 mm	4 mm

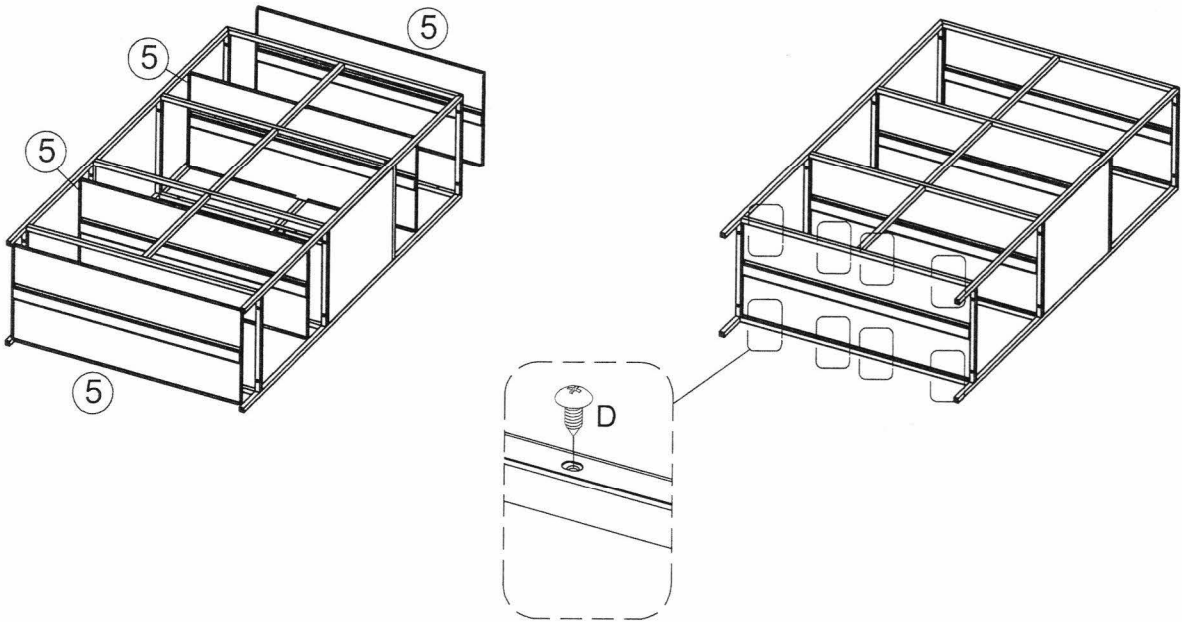


# 3

D × 32



M5×12 mm

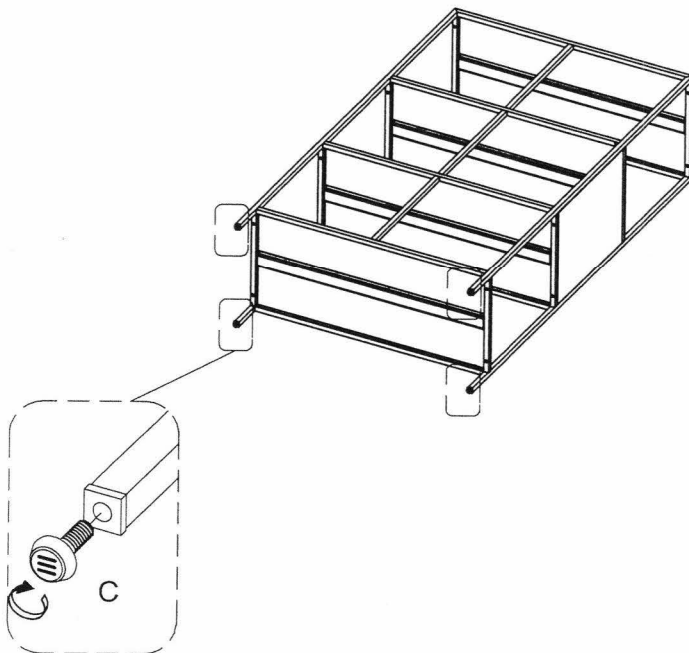


# 4

C × 4



M6

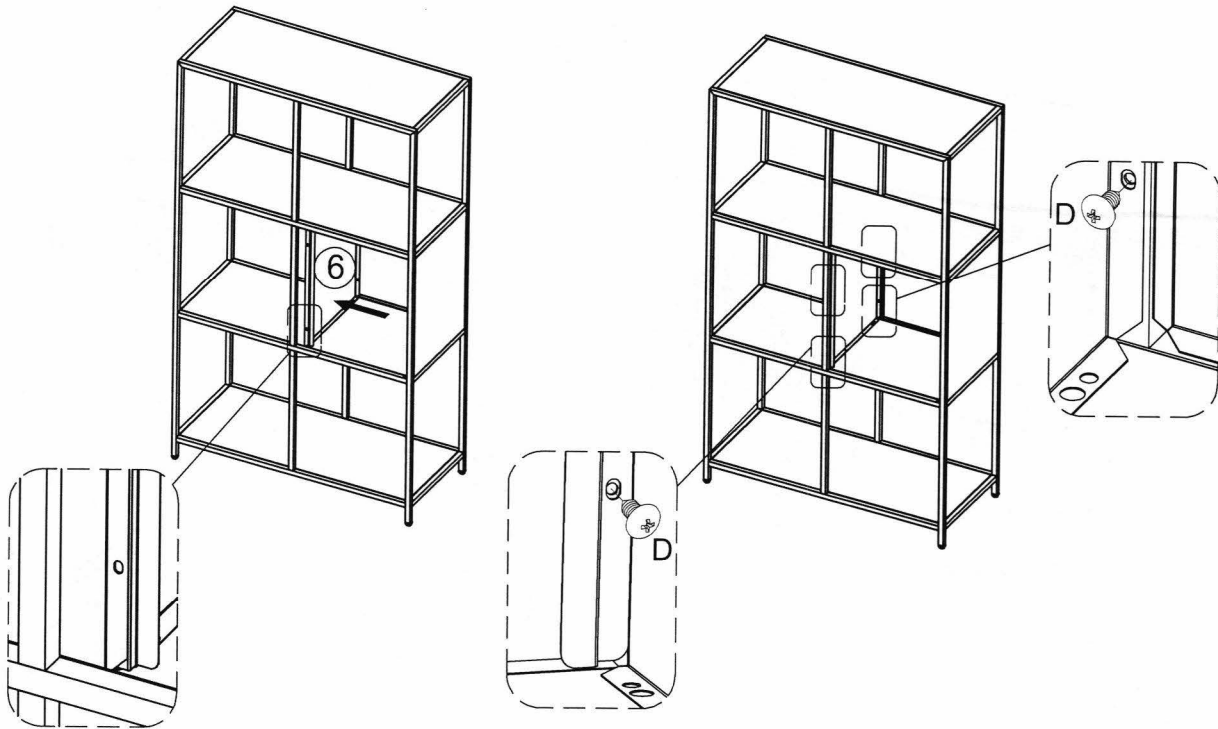


# 5

D × 4



M5×12 mm



# 6

G × 1

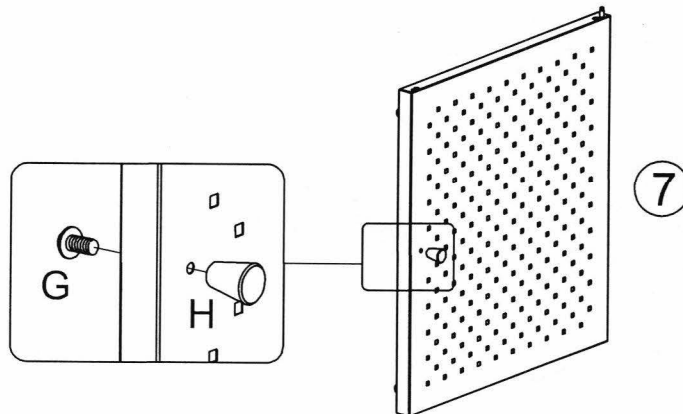


M4×4 mm


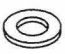
H × 1

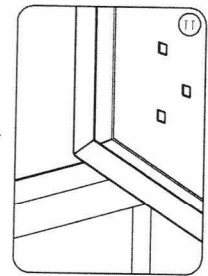
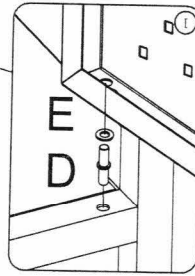
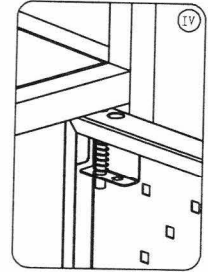
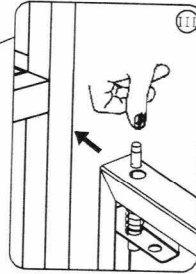
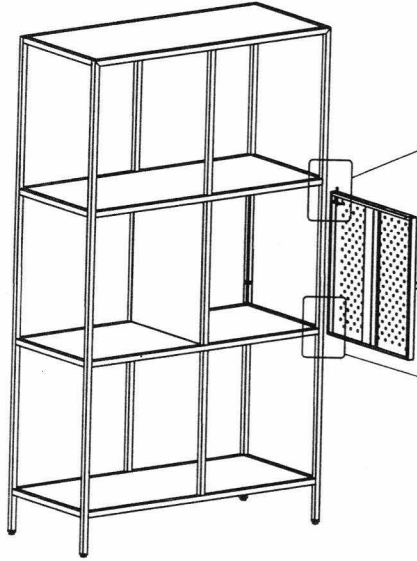


Ø17×20 mm





# 7

E × 1	F × 1
	
Ø4.8 mm	1 mm



# 8

I × 2	J × 2
	
	M4×30 mm

