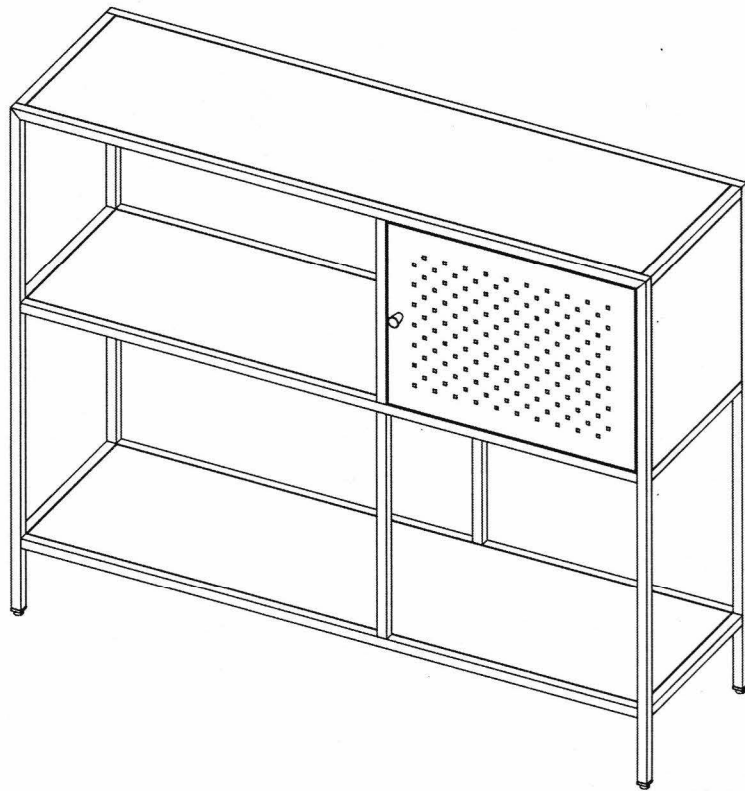

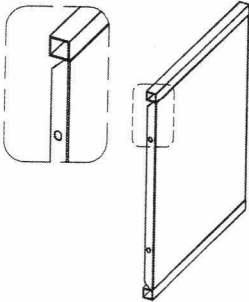
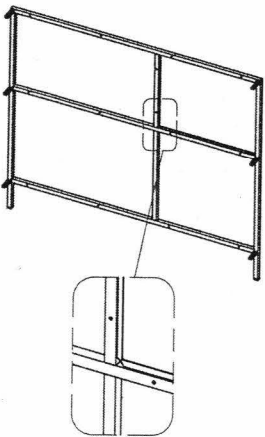
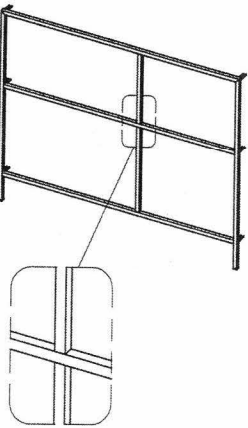
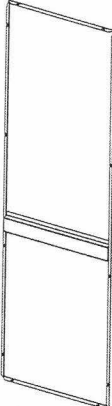
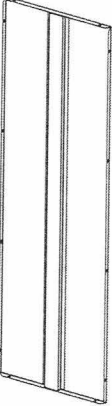
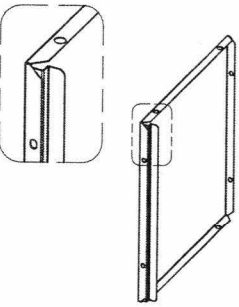
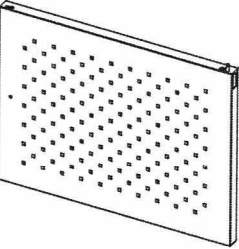
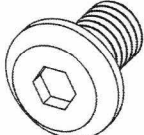


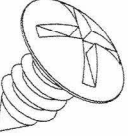



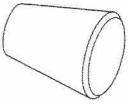
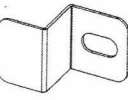
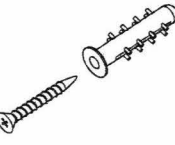


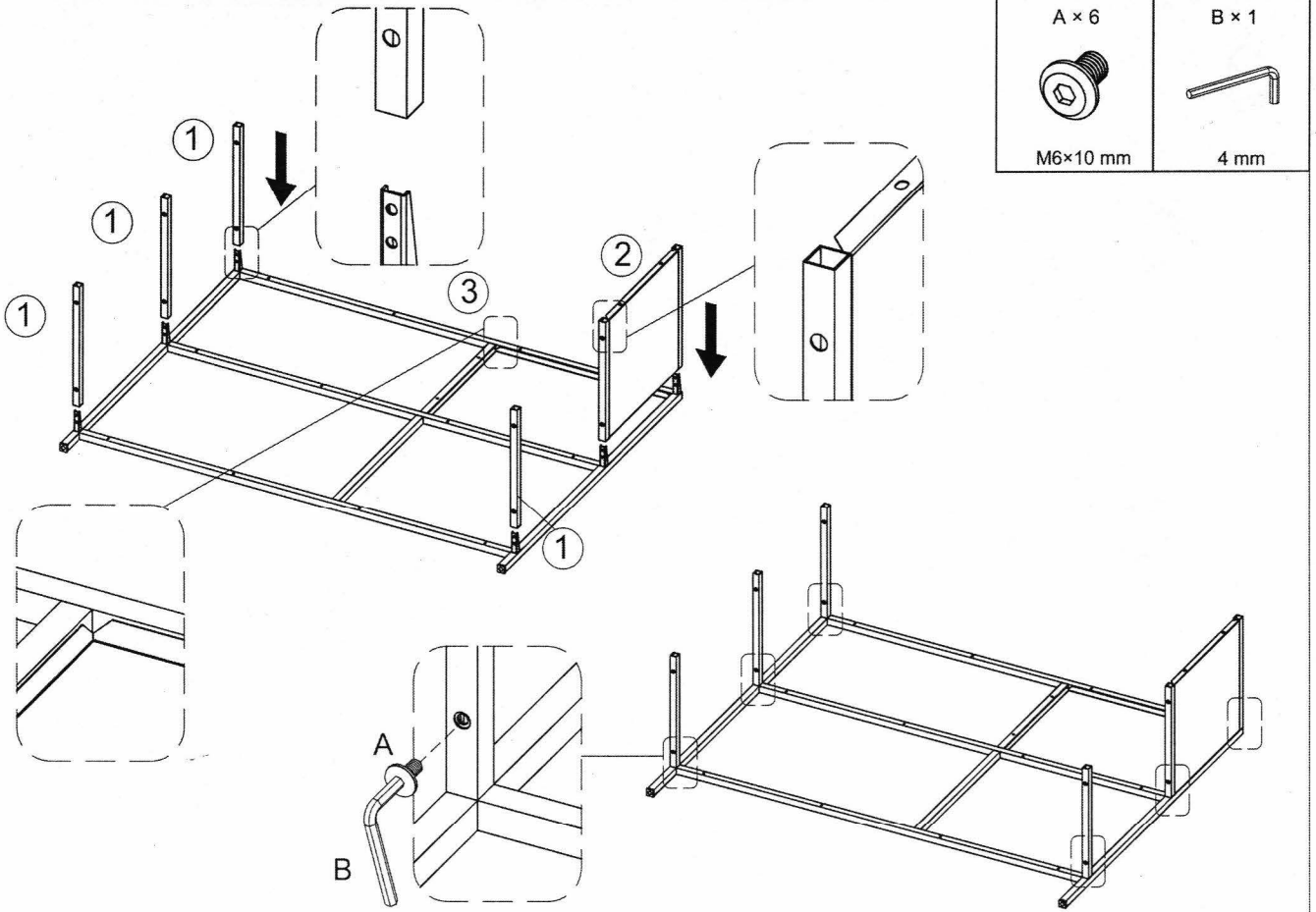
Assembly Instruction 37522

Po# 102884

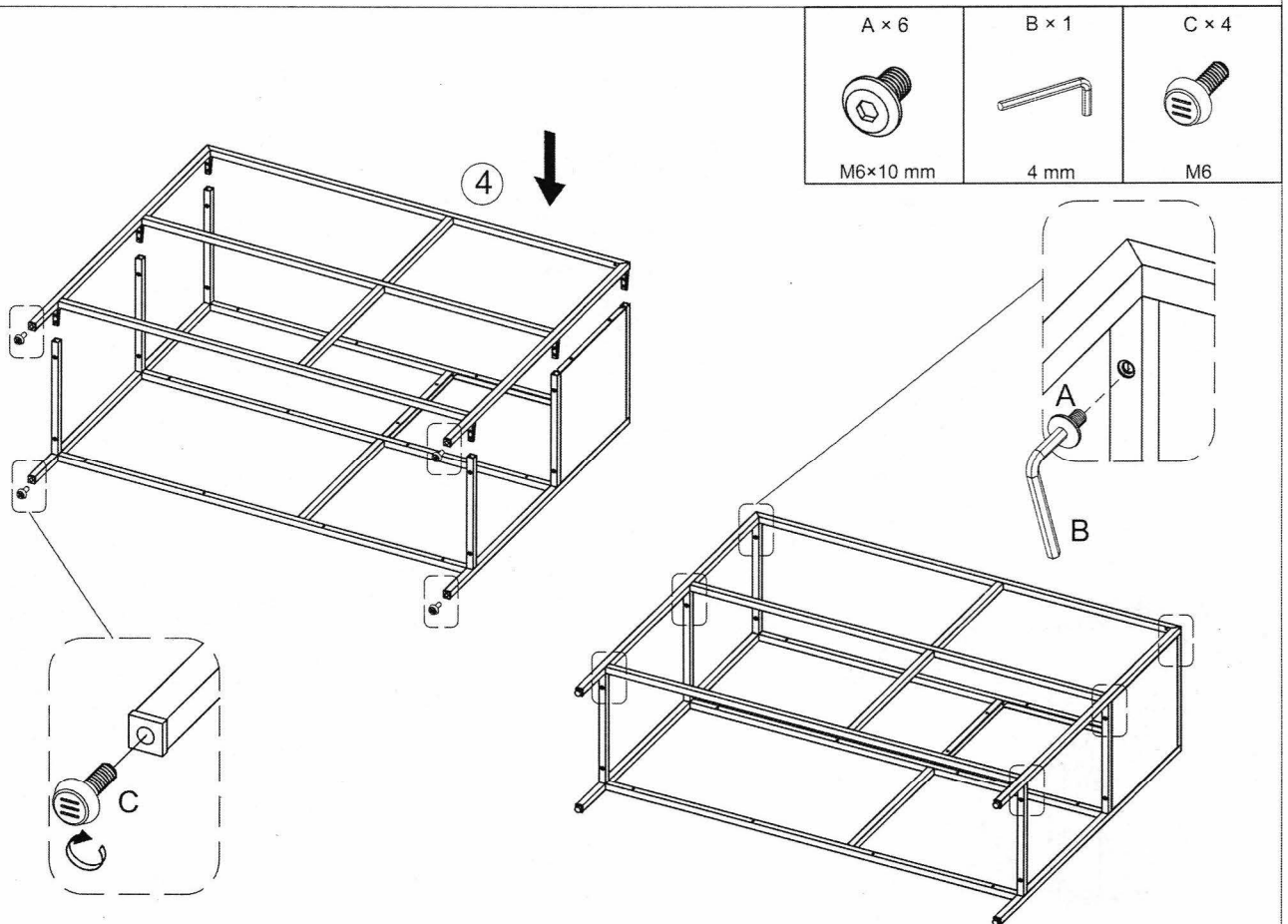


<p>①</p>  <p>x4</p>	<p>②</p>  <p>x1</p>	<p>③</p>  <p>x1</p>	<p>④</p>  <p>x1</p>
<p>⑤</p>  <p>x1</p>	<p>⑥</p>  <p>x2</p>	<p>⑦</p>  <p>x1</p>	<p>⑧</p>  <p>x1</p>
<p>A</p>  <p>M6×10 mm x12</p>	<p>B</p>  <p>4 mm x1</p>	<p>C</p>  <p>M6 x4</p>	<p>D</p>  <p>M5×12 mm x28</p>
<p>E</p>  <p>∅4.8 mm x1</p>	<p>F</p>  <p>x1</p>	<p>G</p>  <p>M4×4 mm x1</p>	<p>H</p>  <p>x1</p>
<p>I</p>  <p>x2</p>	<p>J</p>  <p>M4×30 mm x2</p>		

1



2

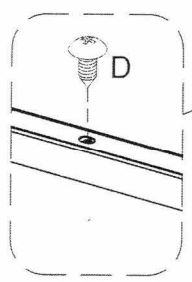
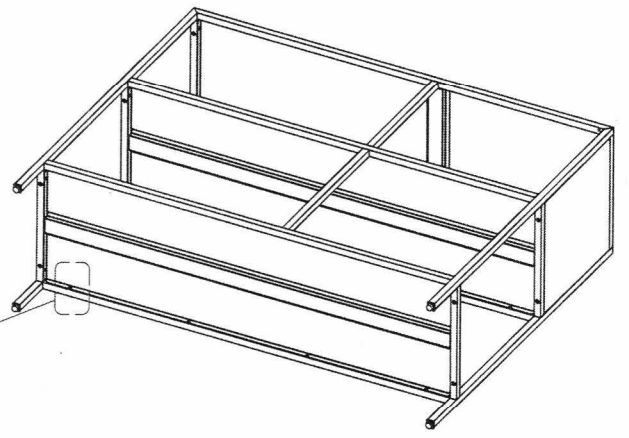
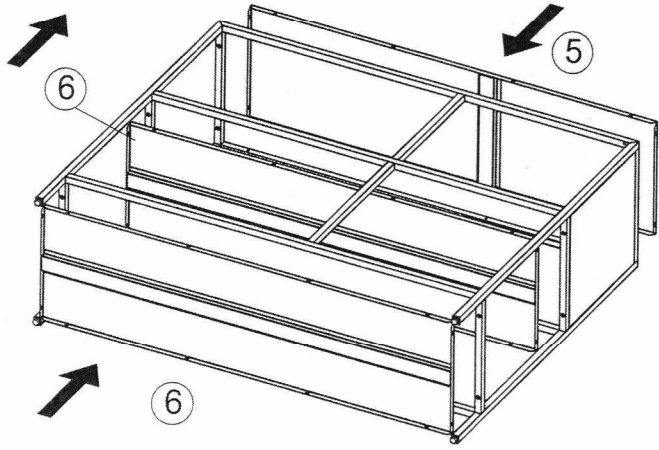


3

D × 24



M5×12 mm

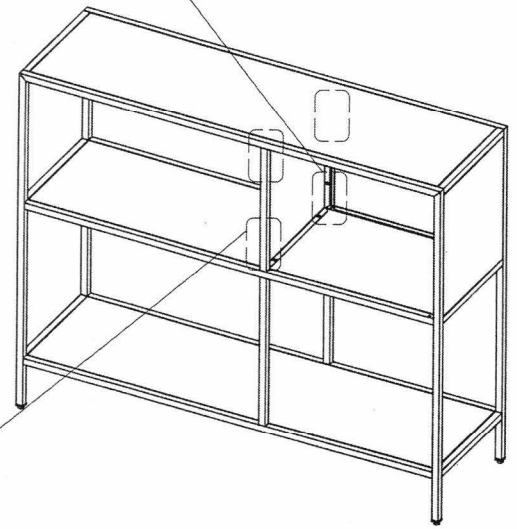
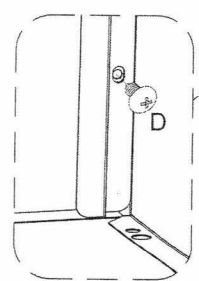
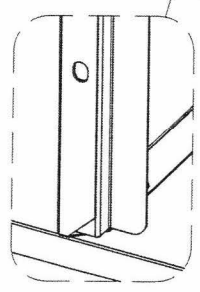
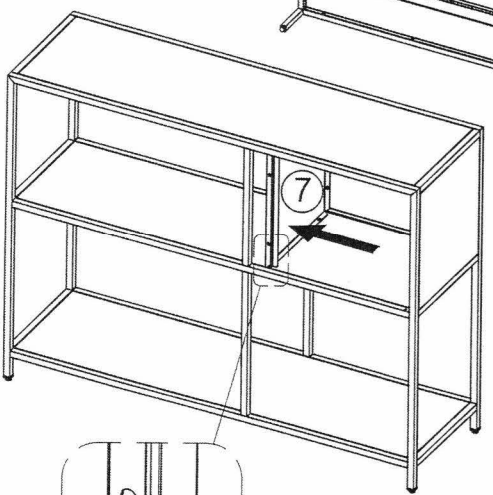
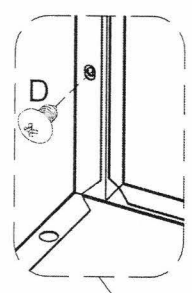
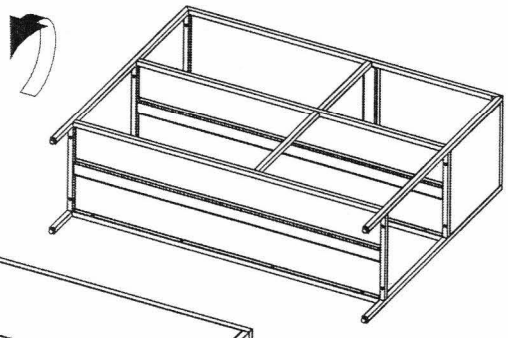


4

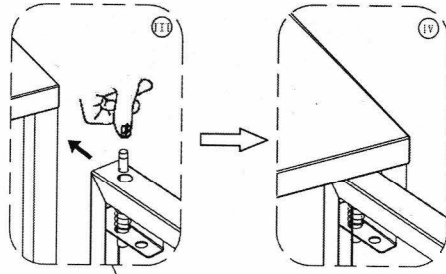
D × 4


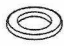


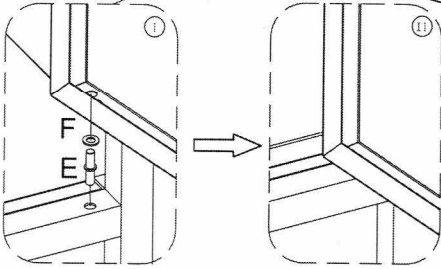
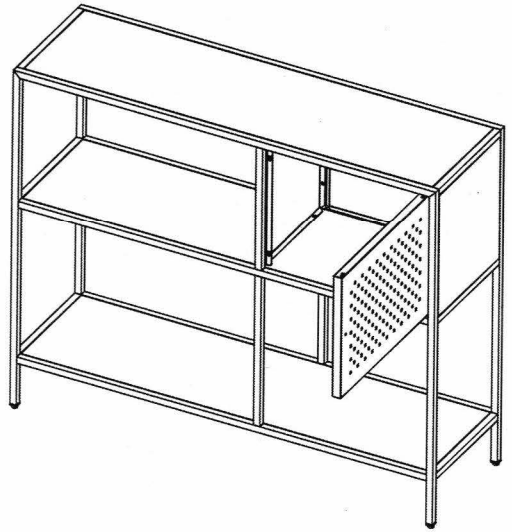
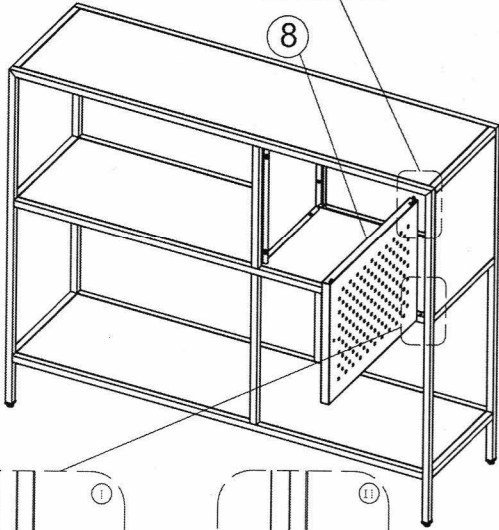
M5×12 mm





5

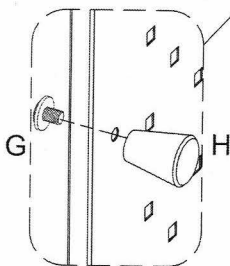
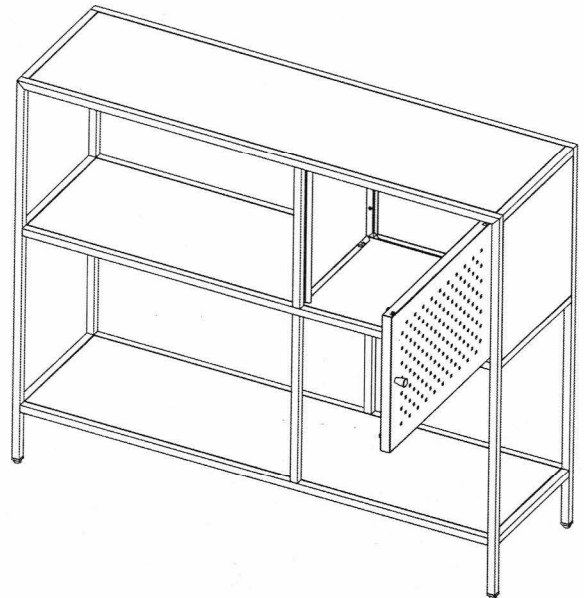
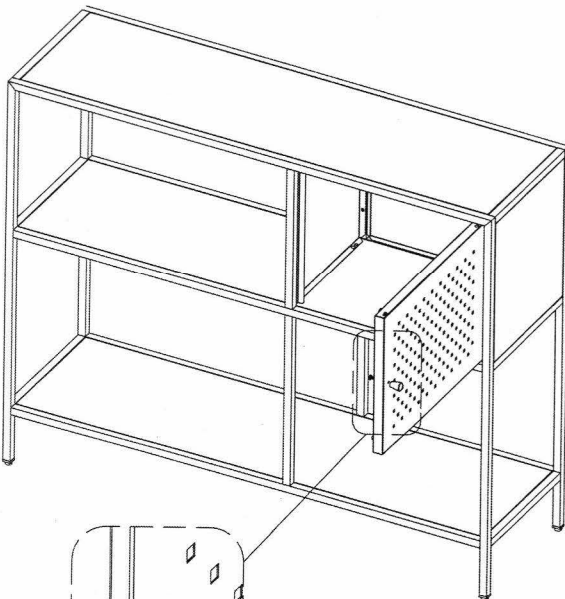


E × 1	F × 1
	
Φ4.8 mm	



6

G × 1	H × 1
	
M4×4 mm	



7

I × 2



J × 2



M4×30 mm

