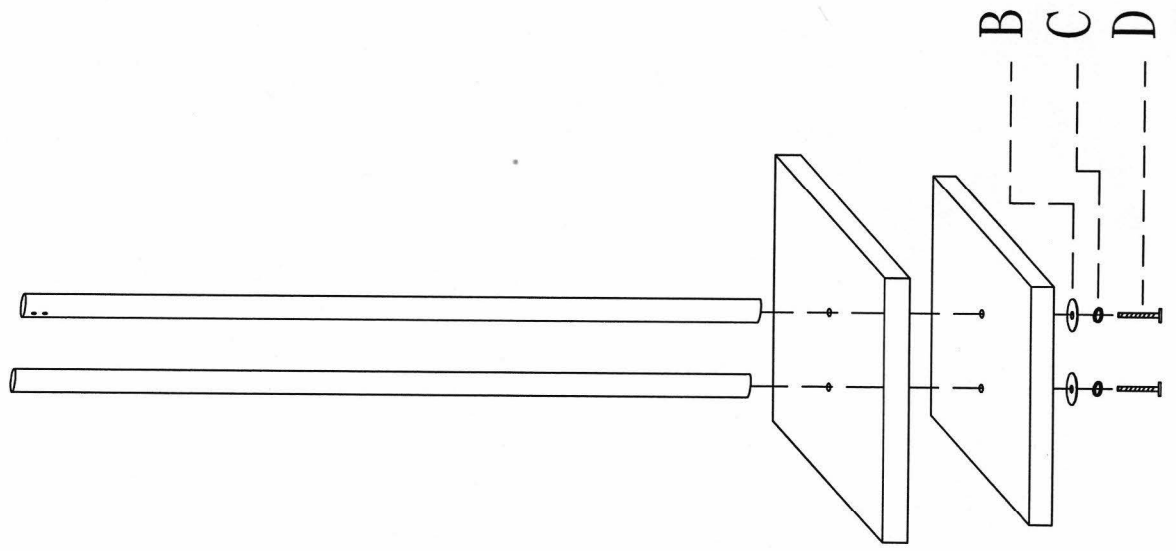
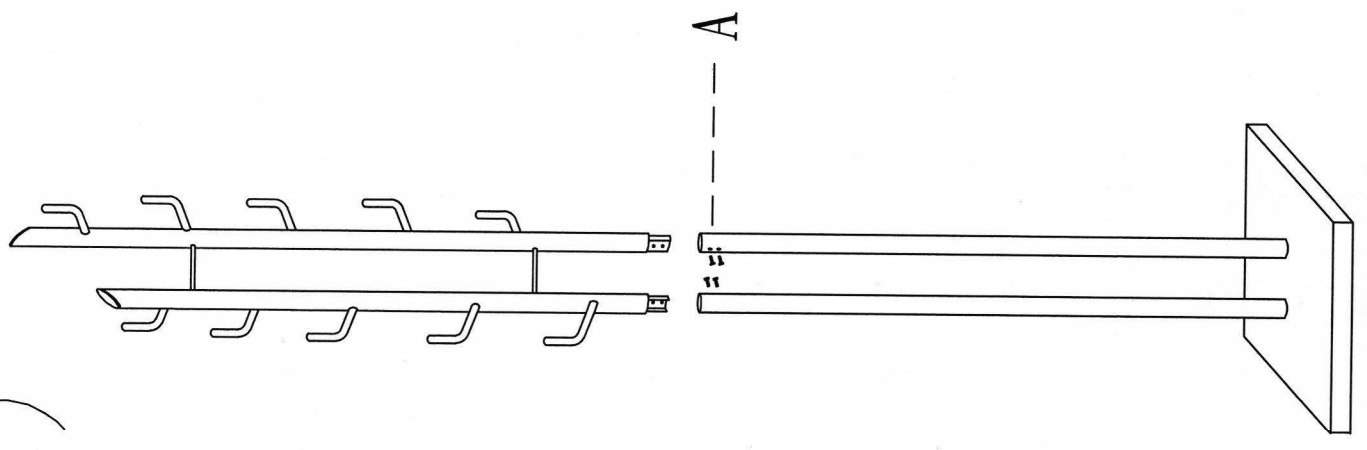







2A 353 PO# 103684

(1)



(2)



	A	x4
	B	x2
	C	x2
	D	x2
		x1