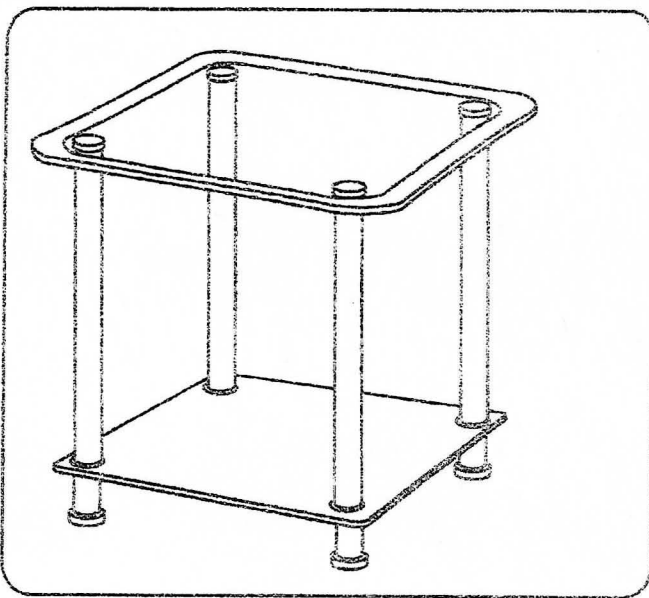


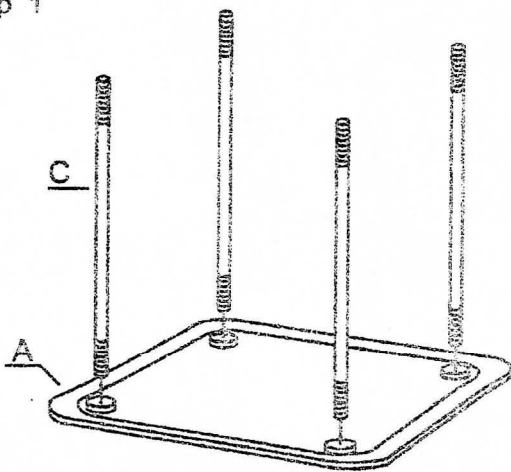
Model NO:20378

PO# 6757

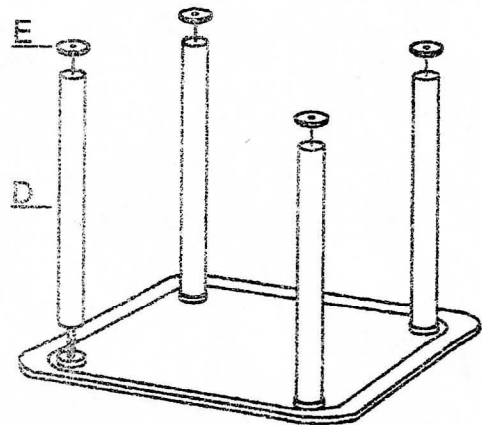


A (40x40cm) x1	E (φ38) x8
B (35x35cm) x1	F (φ38x9cm) x4
C (M8x44.5cm) x4	G (φ38) x4
D (φ38x34cm) x4	H (M8) x4

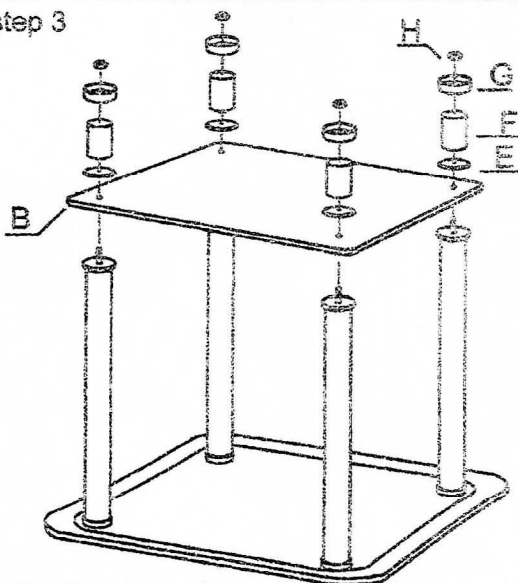
step 1



step 2



step 3



step 4

