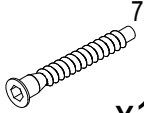



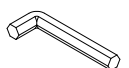
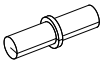
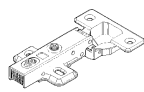

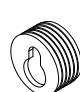
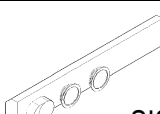
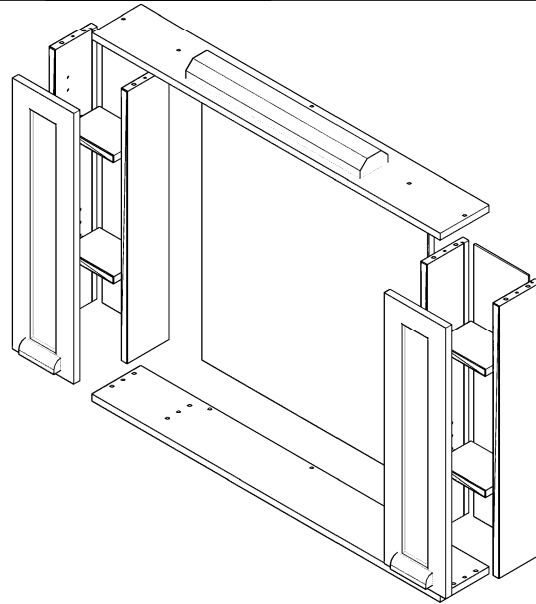
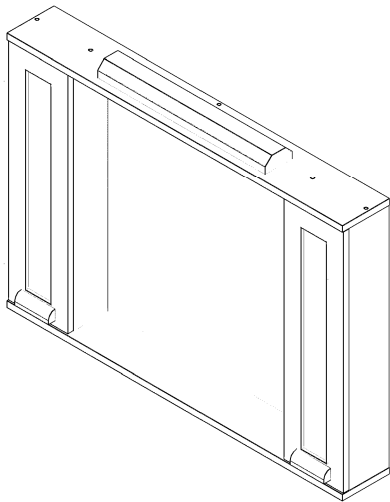
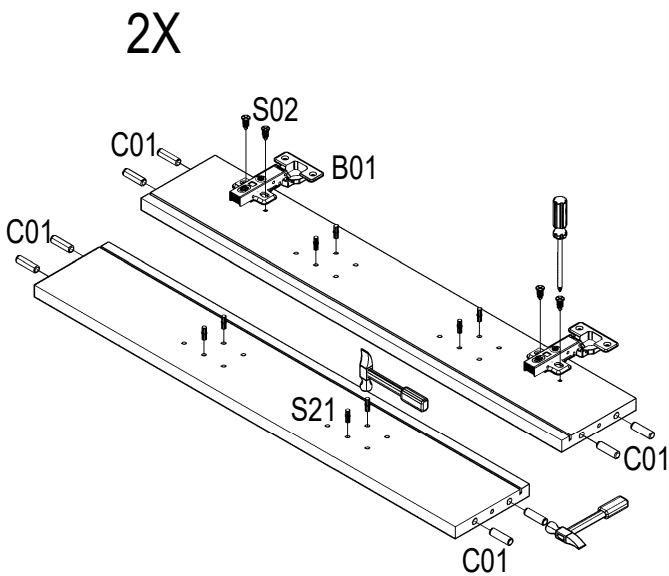


NR.46

 <p>7x50 S01</p>	 <p>3.5x16 S02</p>	 <p>M4x22 S11</p>	 <p>C01</p>	 <p>D01</p>	 <p>S21</p>
<p>x10</p>	<p>x25</p>	<p>x4</p>	<p>x20</p>	<p>x1</p>	<p>x16</p>
 <p>B01</p>	 <p>M01</p>	 <p>A04</p>	 <p>X1</p>	<p>SIST</p>	
<p>x4</p>	<p>x2</p>	<p>x2</p>	<p>x1</p>		

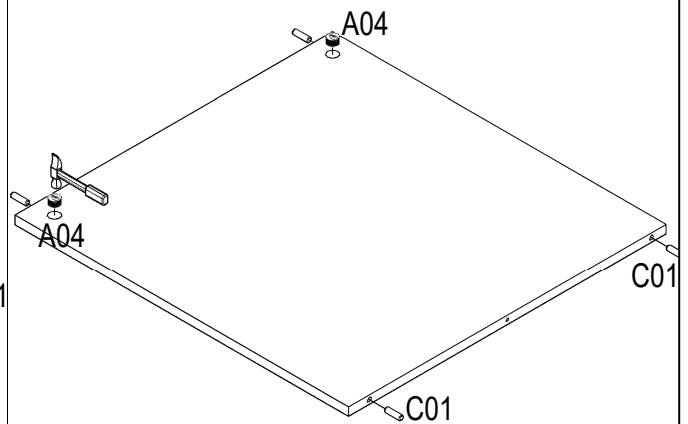


1.



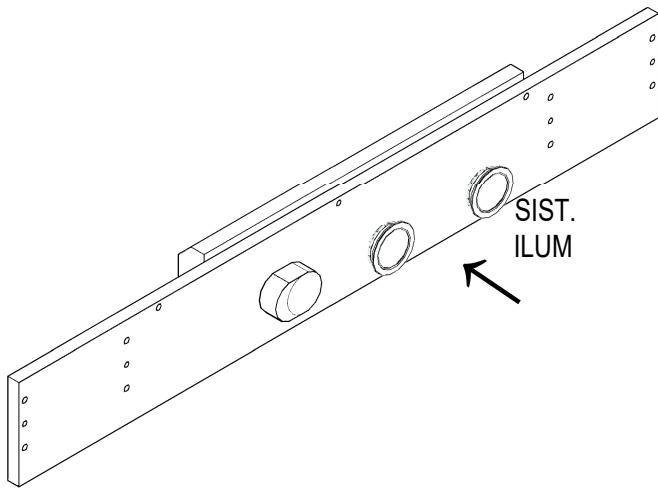
8xC01
8xS21
4xB01
4xS02

2.

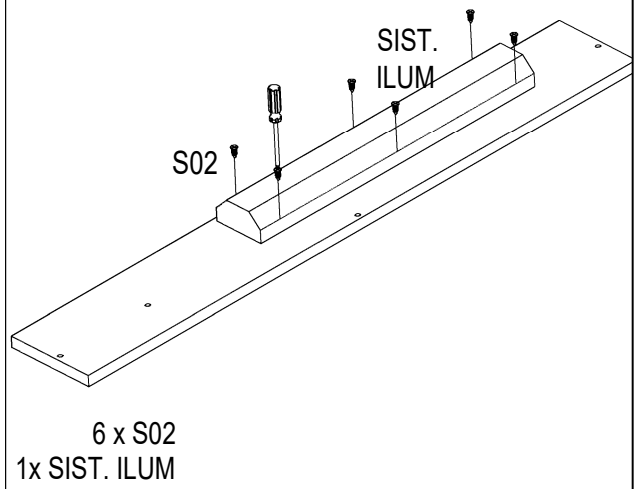


2xA04
4xC01

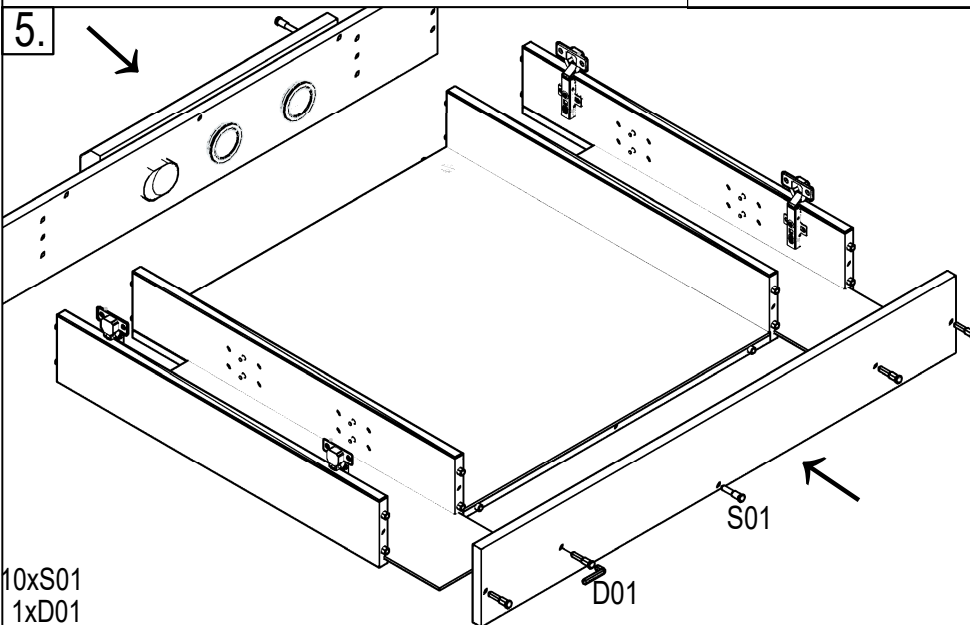
3.



4.

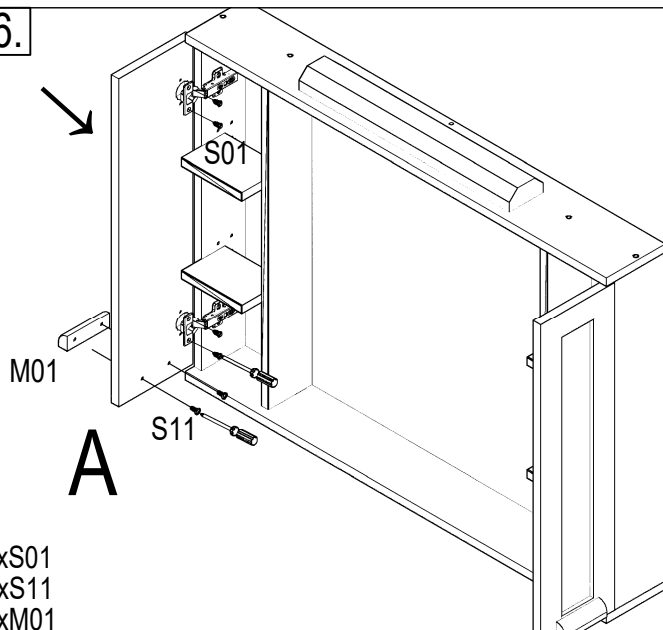


5.



10xS01
1xD01

6.



8xS01
4xS11
2xM01

A

M01

