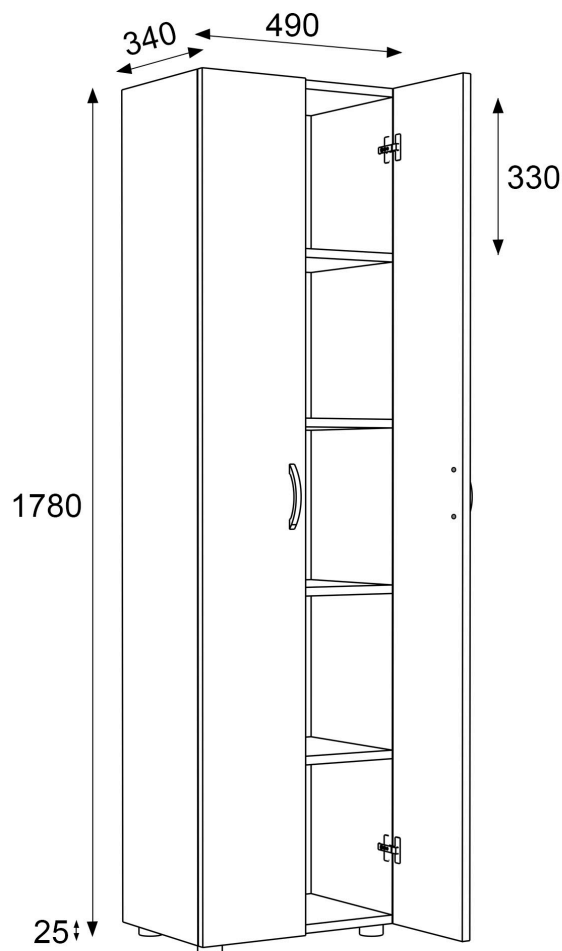
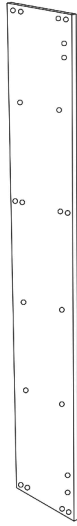
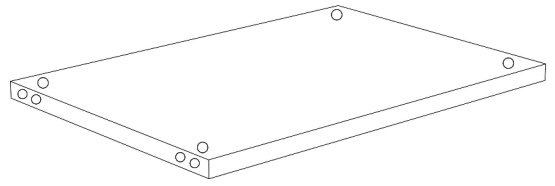
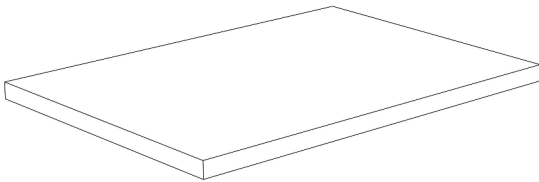




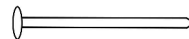
Schrank Ulas 5-Fach Montageanleitung Instruction manual



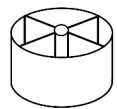
VCM Morgenthaler GmbH
D-79346 Endingen am Kaiserstuhl
service@vcm-gruppe.de
www.vcm-gruppe.de

A**x2****B****x3****C****x3****D****x2****E****x2**

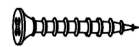
e



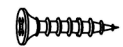
f

**x4**

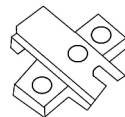
g

x4**M4x30**

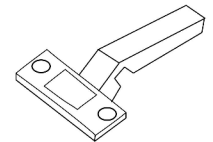
h

**M4x18****x16**

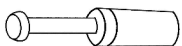
i

x4

j

x4

a

x12

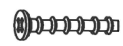
b

x12

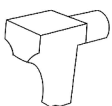
k

x2

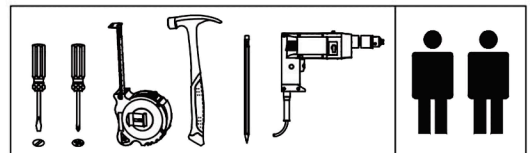
l

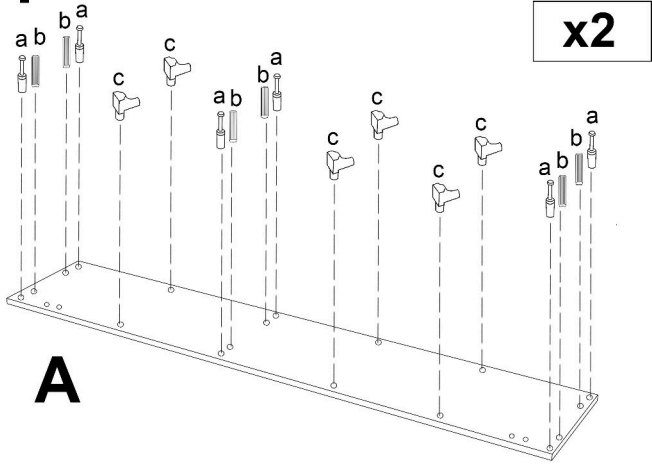
x4

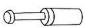


c

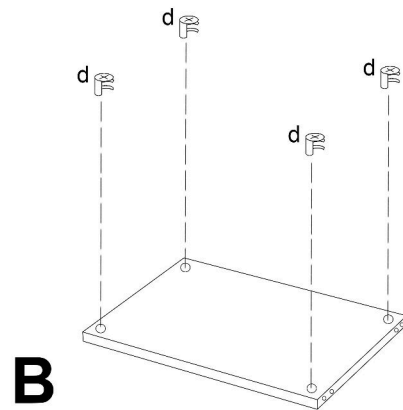
x12


d

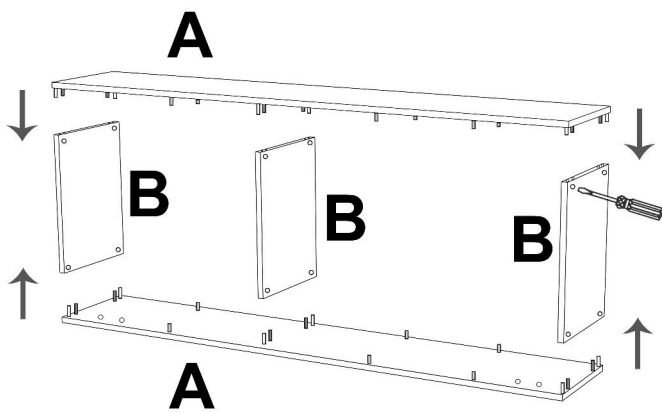
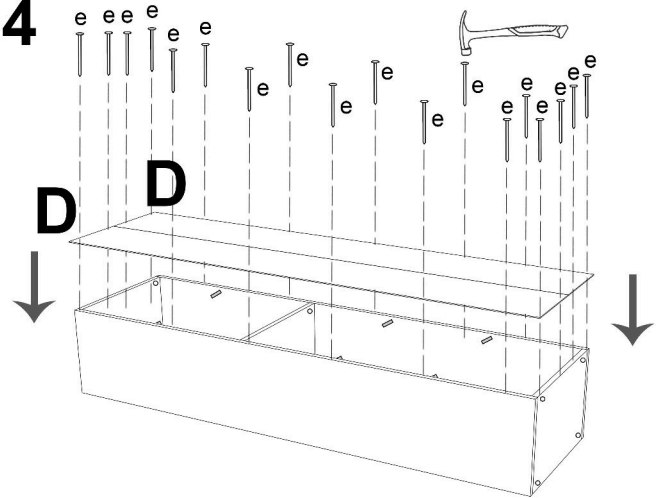
x12

01**x2**

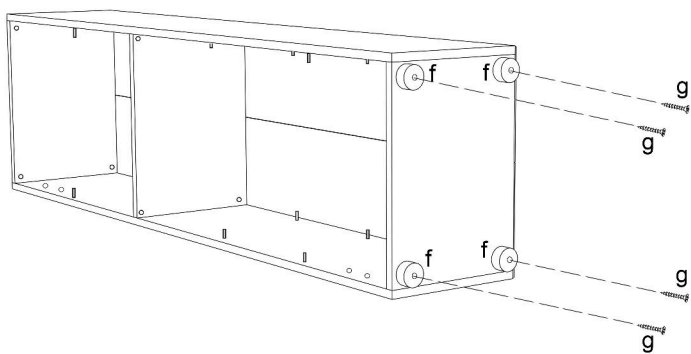
a	x12	b	x12	c	x12
					

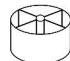
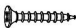
02**x3**

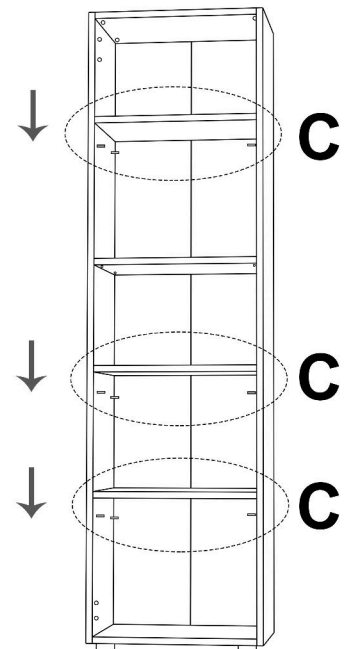
d	x12
	

03**04**

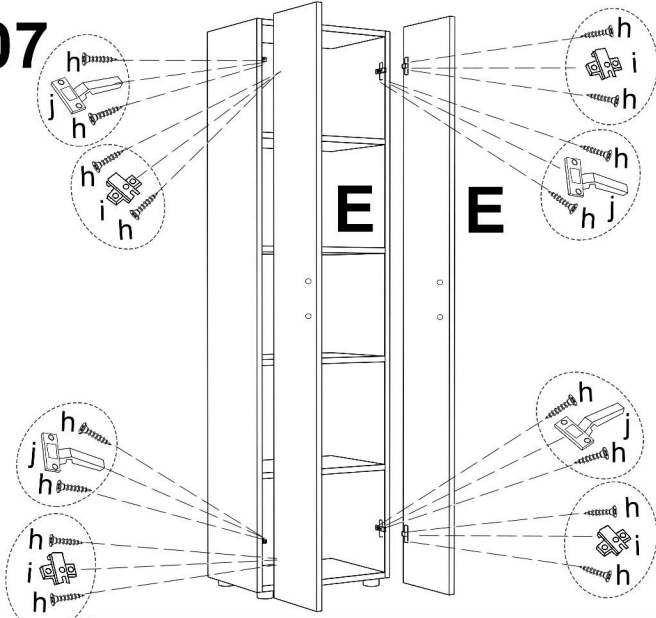
e

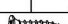



05

f	x4	g	x4
			
		M4x30	

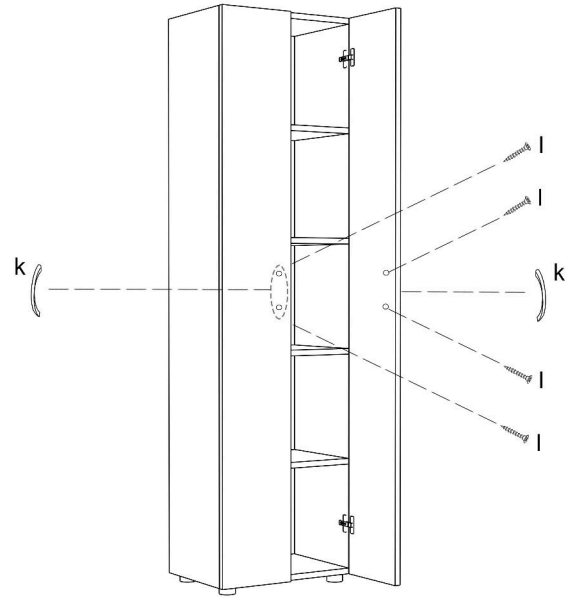
06

07



h	x16	i	x4	j	x4
 M4x18					

08



k	x2	l	x4
