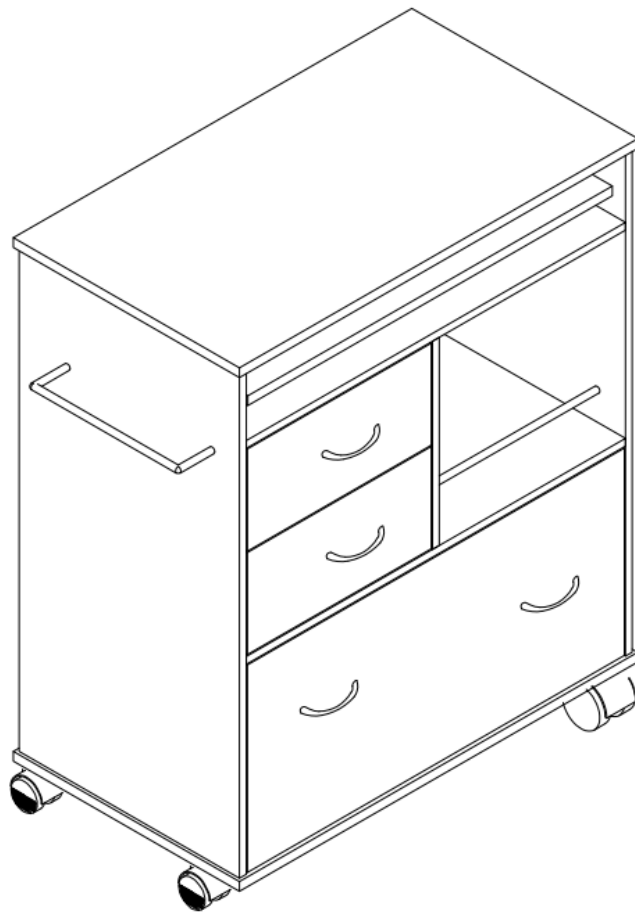
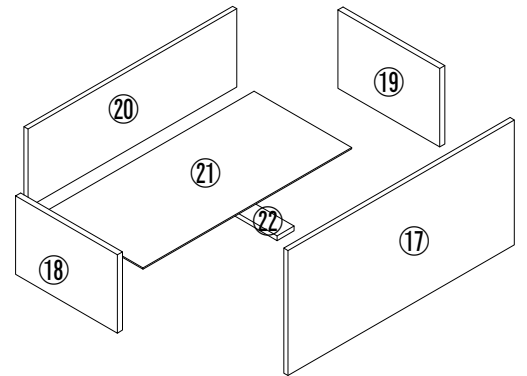
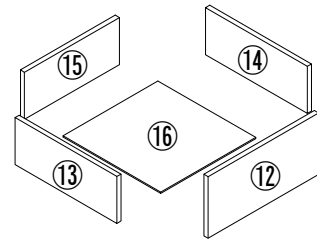
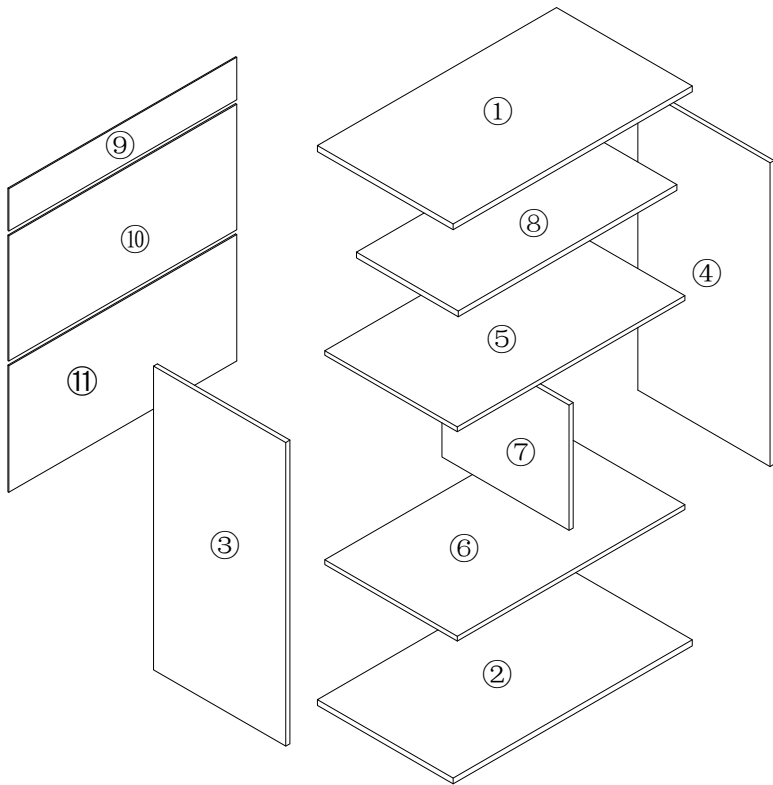


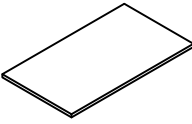
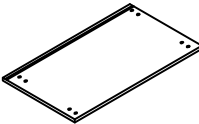


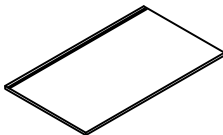
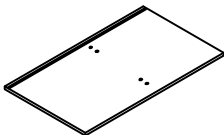
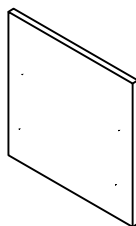
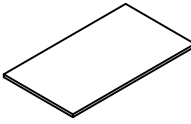
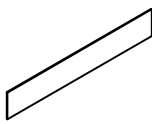
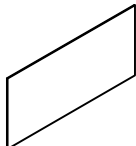
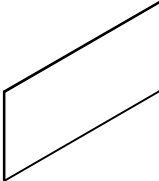
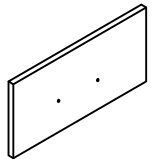
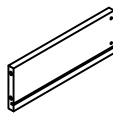
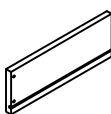

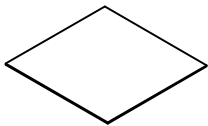
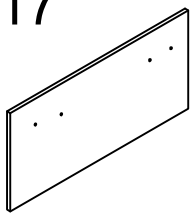
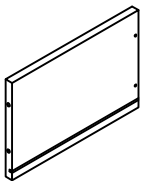
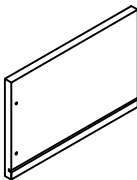
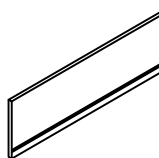
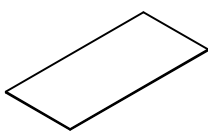
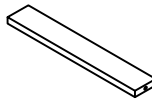


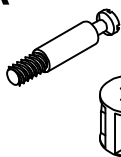
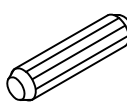
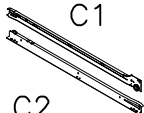

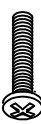


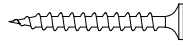

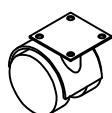
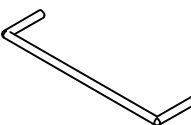
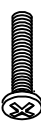
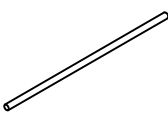
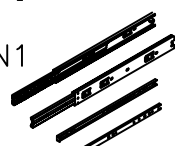
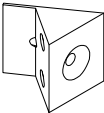
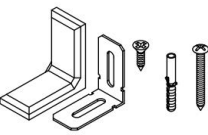
Küchenrollwagen Kicha
Montageanleitung
Instruction manual



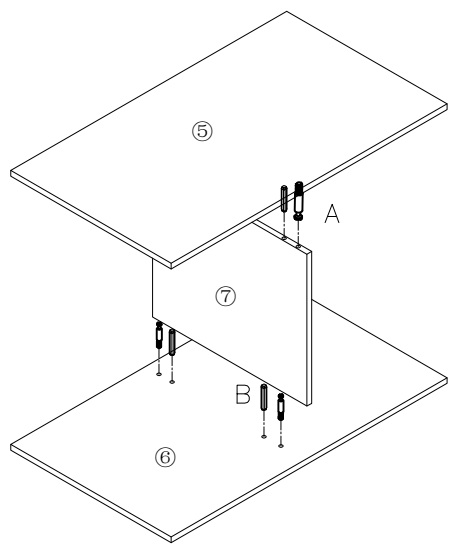
VCM Morgenthaler GmbH
D-79346 Endingen am Kaiserstuhl
service@vcm-gruppe.de
www.vcm-gruppe.de



1  X1	2  X1	3  X1	4  X1	5  X1	6  X1
7  X1	8  X1	9  X1	10  X1	11  X1	12  X2
13  X2	14  X2	15  X2	16  X2	17  X1	18  X1
19  X1	20  X1	21  X1	22  X1		

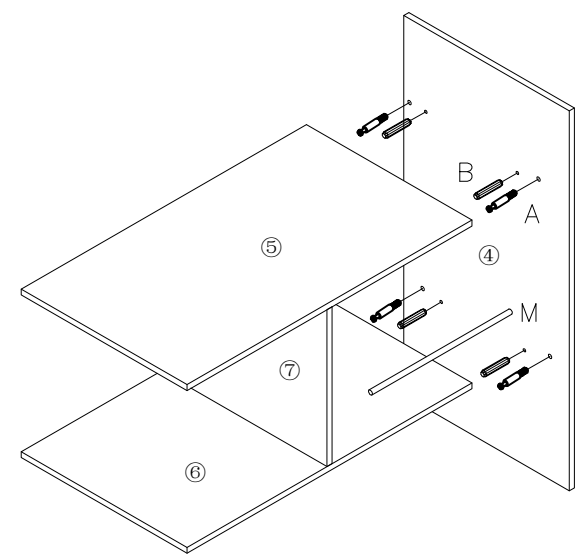
A  32 X	B 6*30  22 X	C C1 C2  3 X	D 96MM  4 X	E 4*14  8 X	F 3*12  54 X
G 3.5*14  16 X	H 3.5*35  12 X	I  2 X	J  2 X	K 256MM  1 X	L 4*20  2 X
M 340MM  1 X	N 350MM N1 N2  1 X	O  22 X	P  2 X		

1



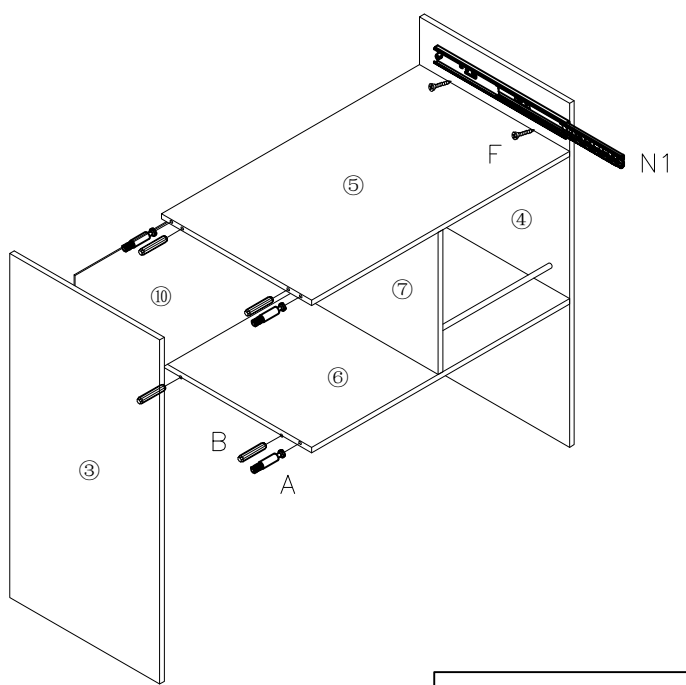
A*4 B*4

2



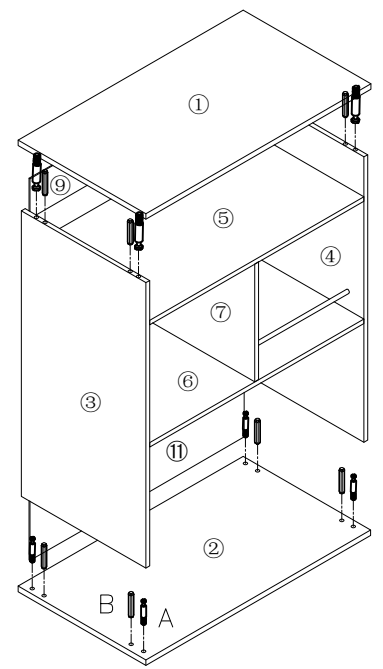
A*4 B*4 M*1

3



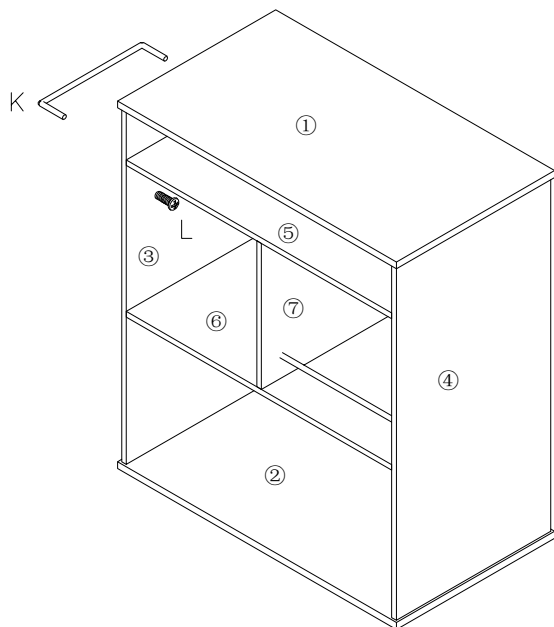
A*4 B*4 F*4 N1*1

4



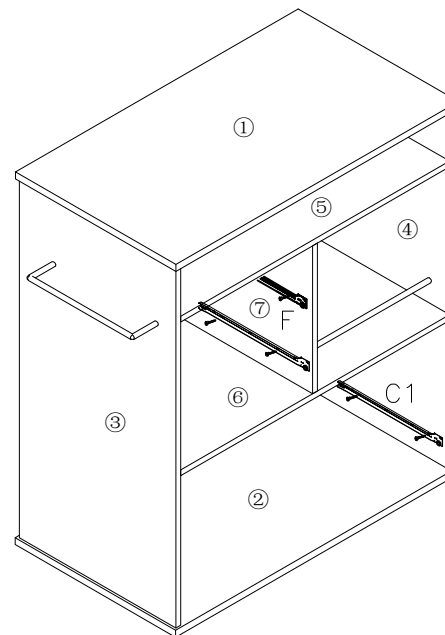
A*8 B*8

5



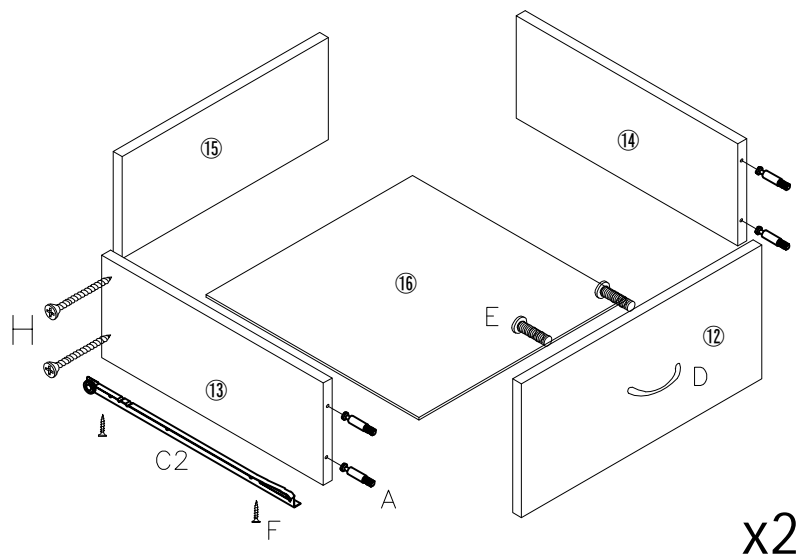
K*1 L*2

6



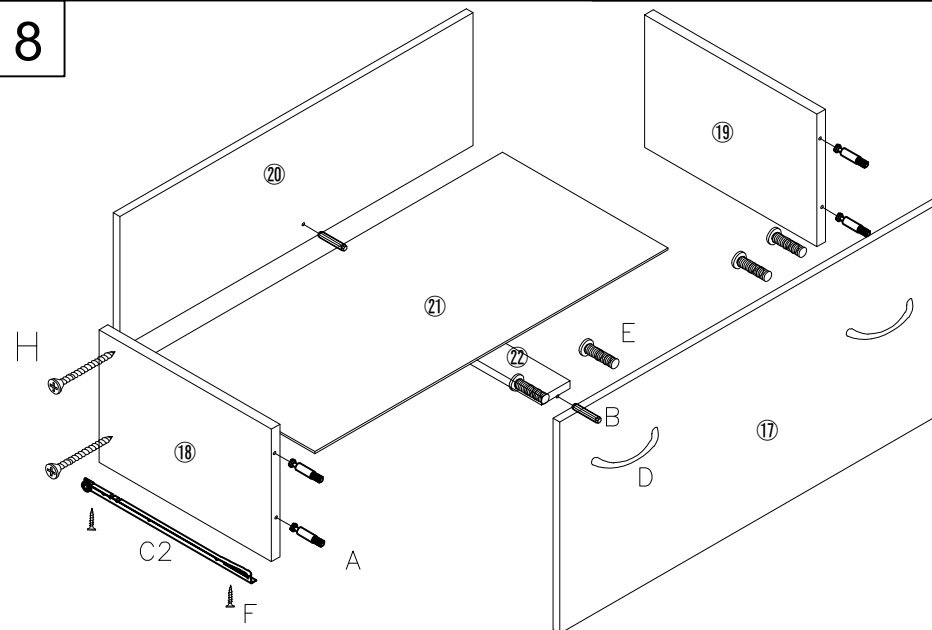
C1*3 F*12

7



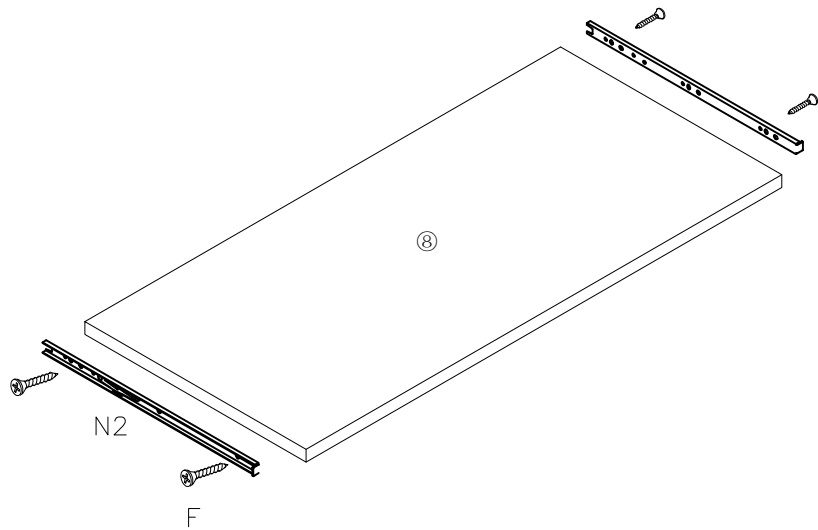
A*8 C2*2 D*2 E*4 F*8 H*8

8



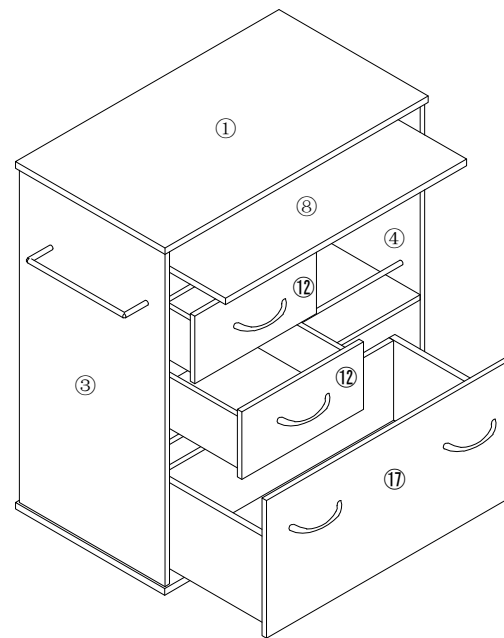
A*4 B*2 C2*1 D*2 E*4 F*4 H*4

9

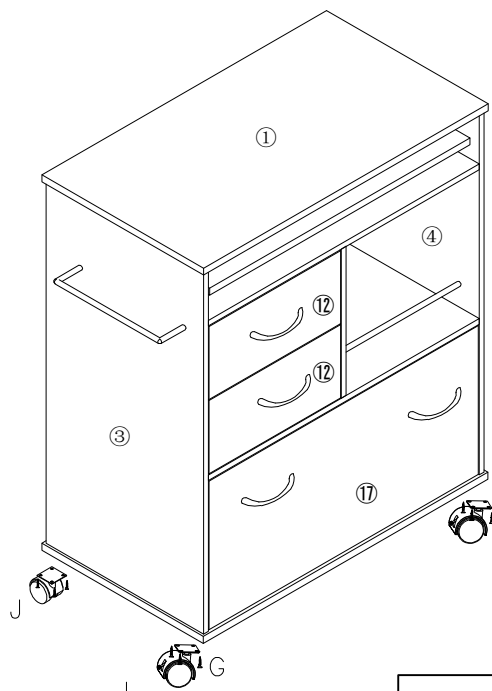


N2*1 F*4

10

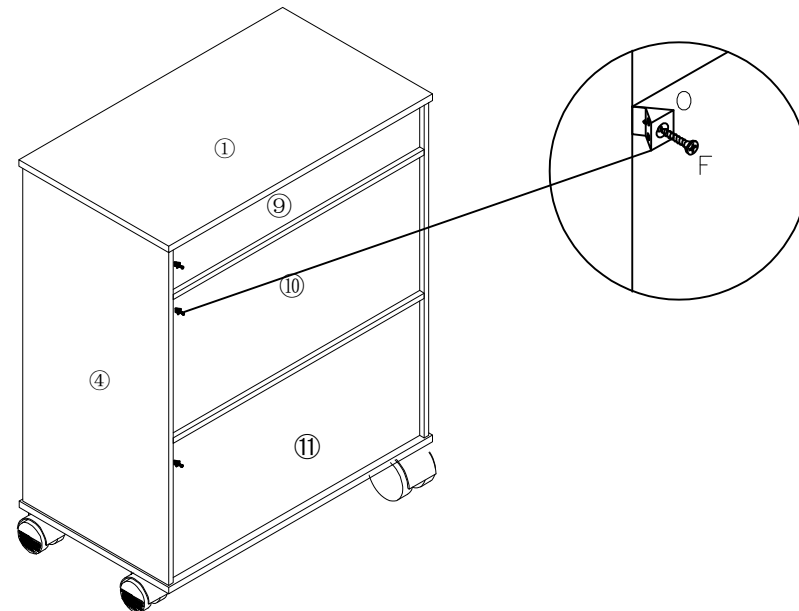


11



G*16 I*2 J*2

12



F*22 O*22

