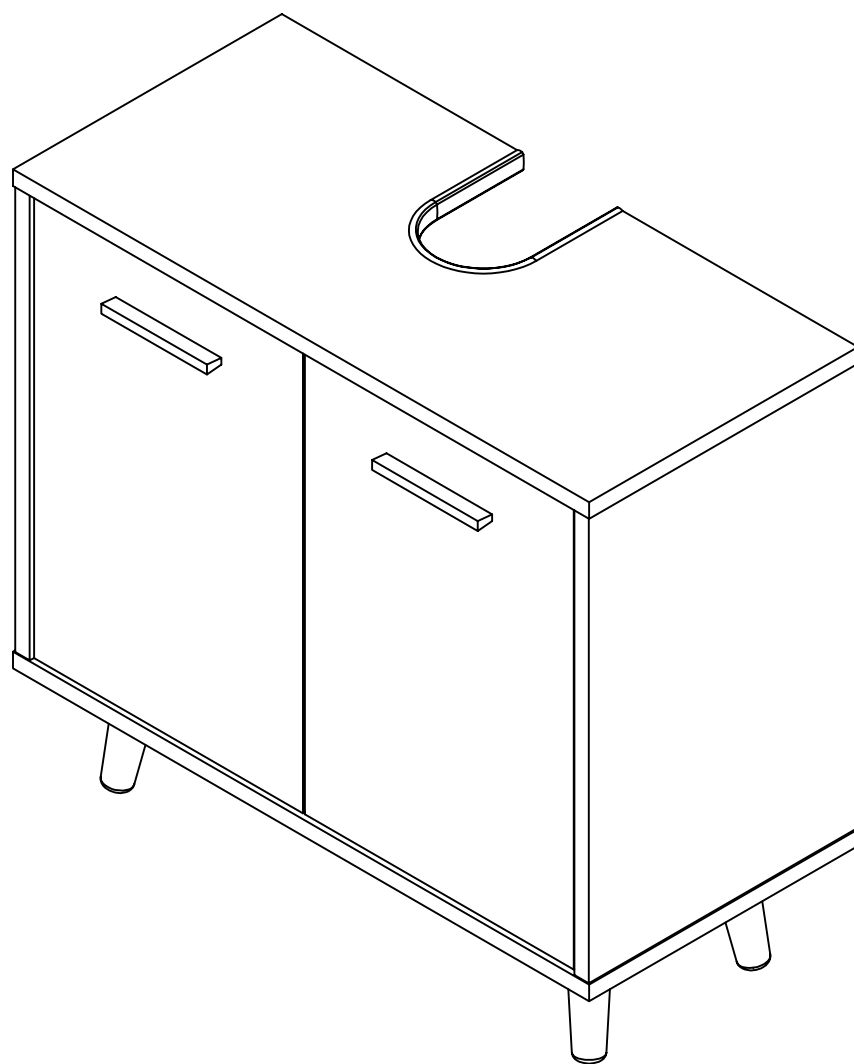



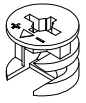
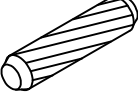

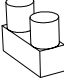

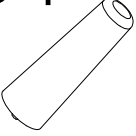
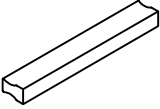


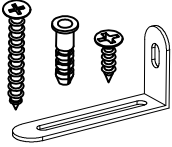
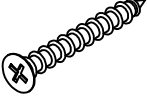




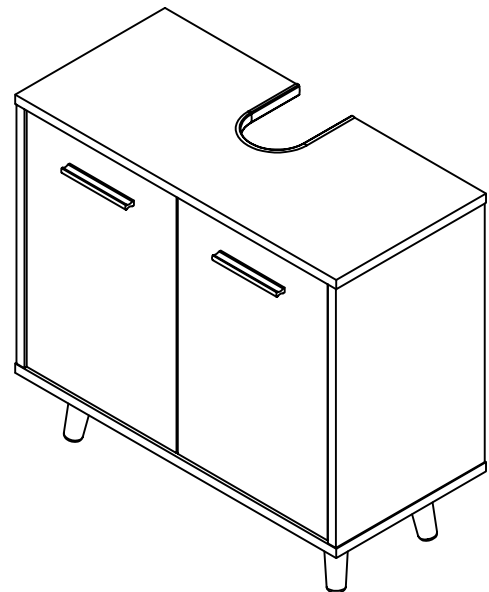
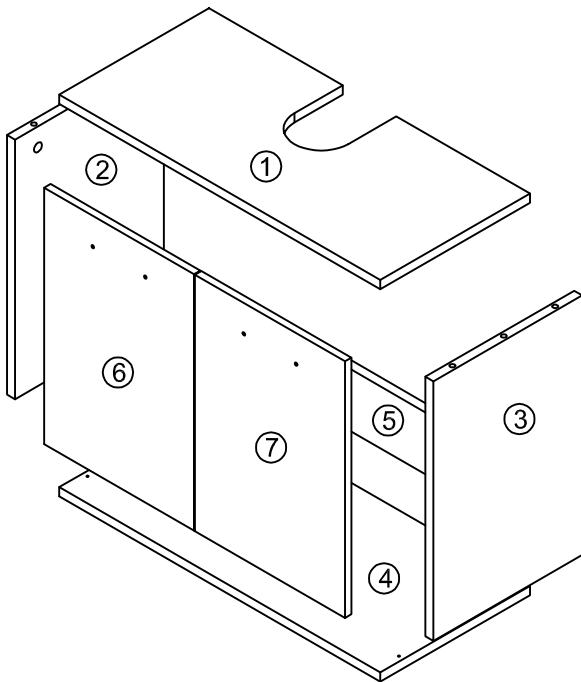
Waschbeckenunterschrank Landos Instruction manual



VCM Morgenthaler GmbH
D-79346 Endingen am Kaiserstuhl

service@vcm-gruppe.de
www.vcm-gruppe.de

A*8  40 mm	B*8  15 mm	C*4  8*40 mm	D*44  3.5*14 mm	E*1 	F*4 
G*4  100 mm	H*2 	I*4  3.5*16 mm	J*4  12mm	K*2 	L*4  3.5*35 mm
M*1 	N*3 				



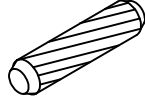
1

A*4



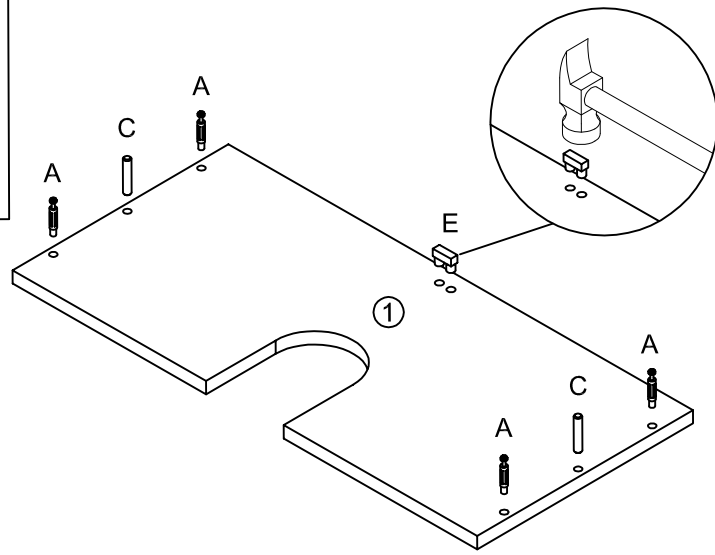
40 mm

C*2



8*40 mm

E*1



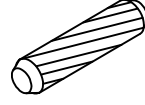
2

A*4

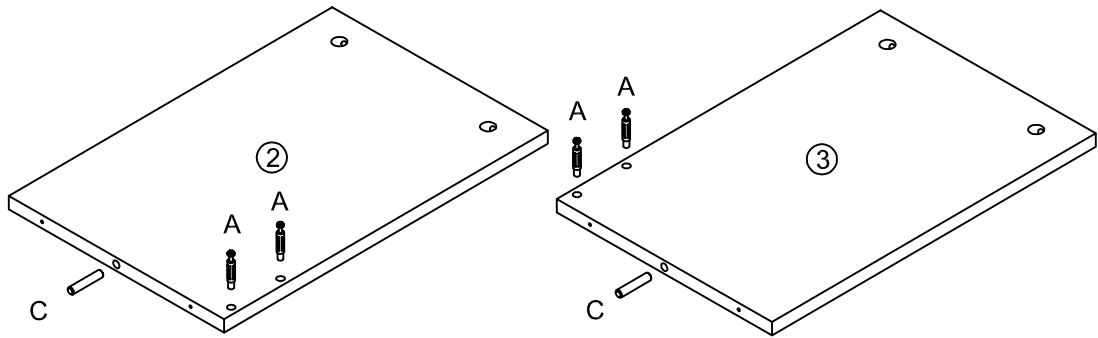


40 mm

C*2



8*40 mm

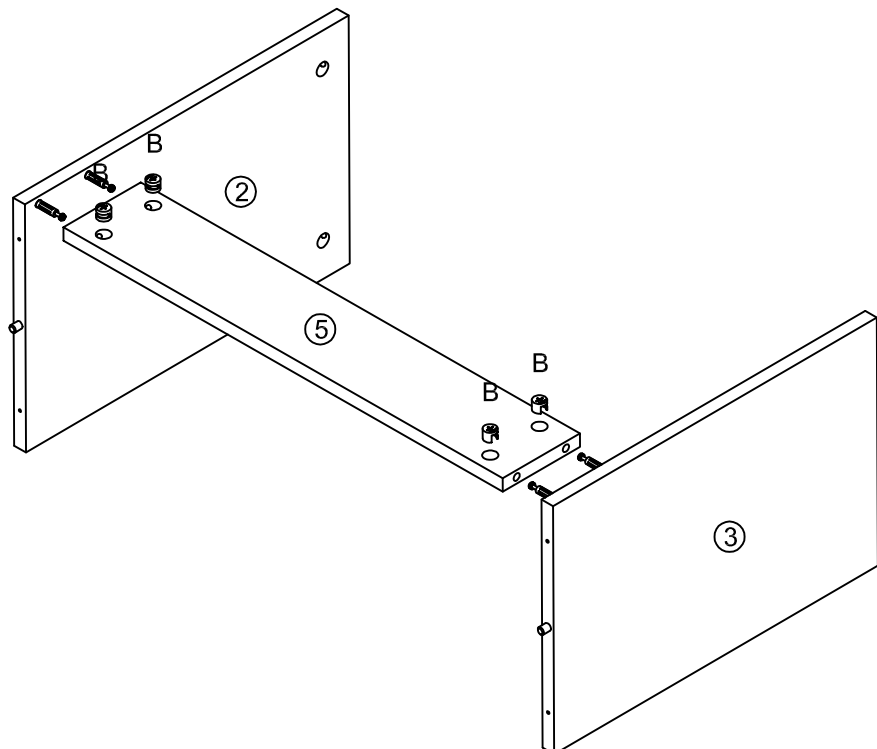


3

B*4



15 mm

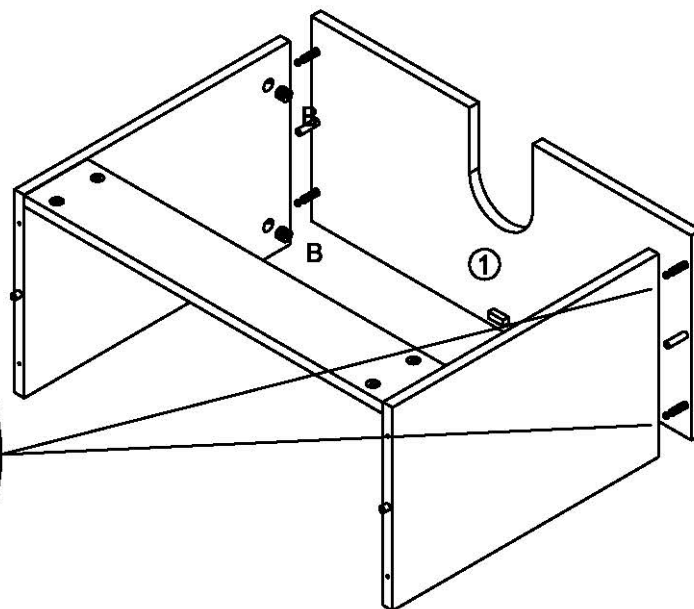
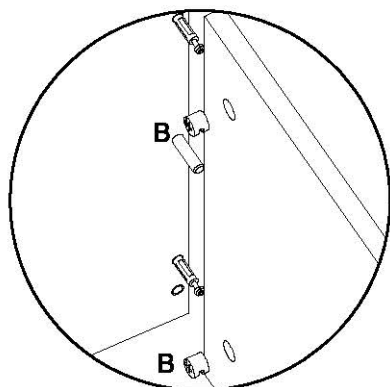


4

B*4



15 mm

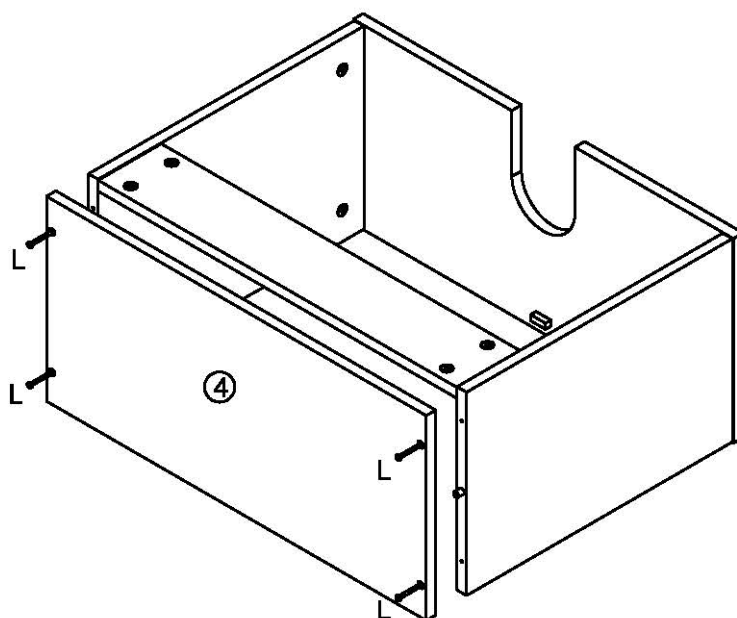


5

L*4



3.5*35 mm



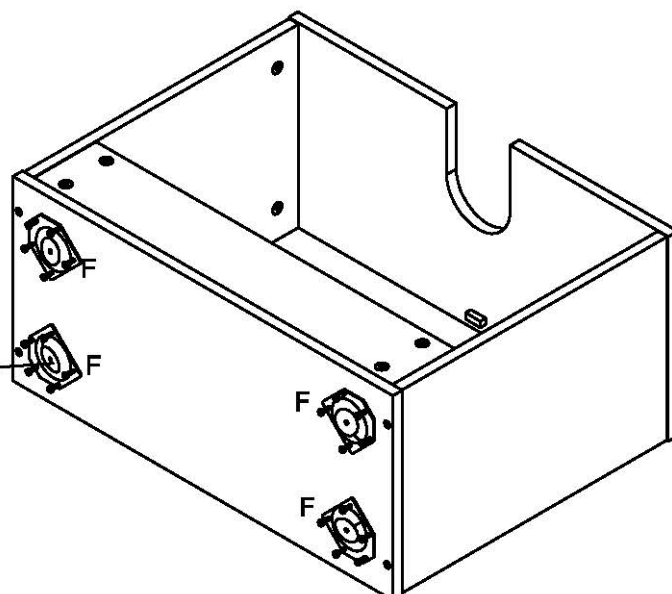
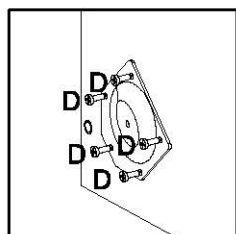
6

D*20



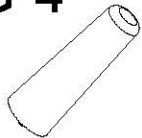
3.5*14 mm

F*4

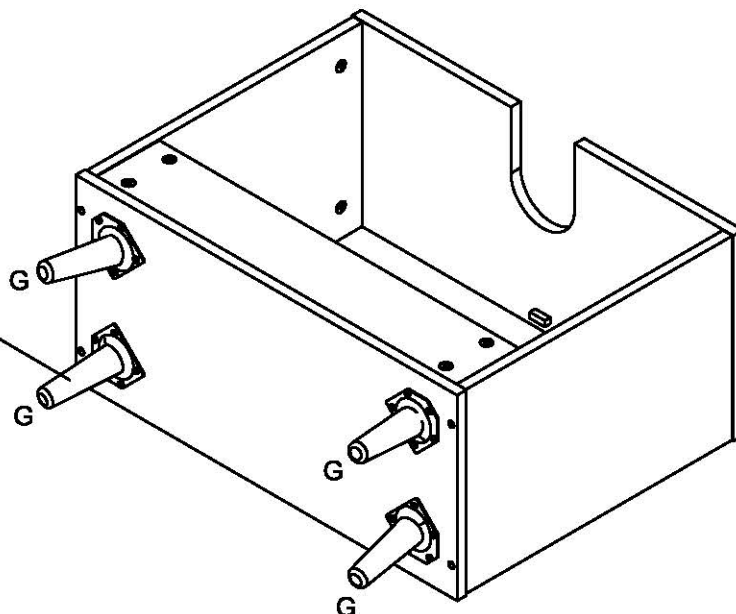
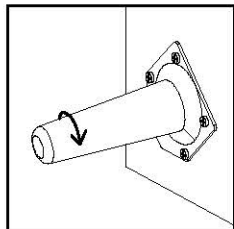


7

G*4



100 mm



8

D*8



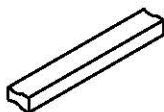
3.5*14 mm

J*4



12mm

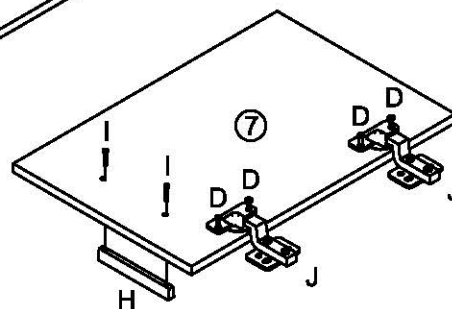
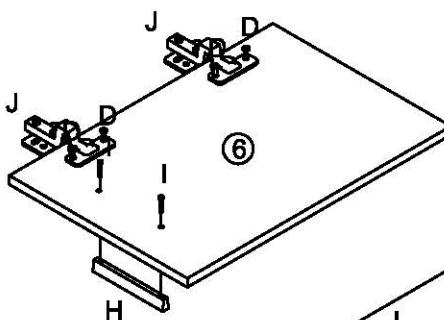
H*2



I*4



3.5*16 mm

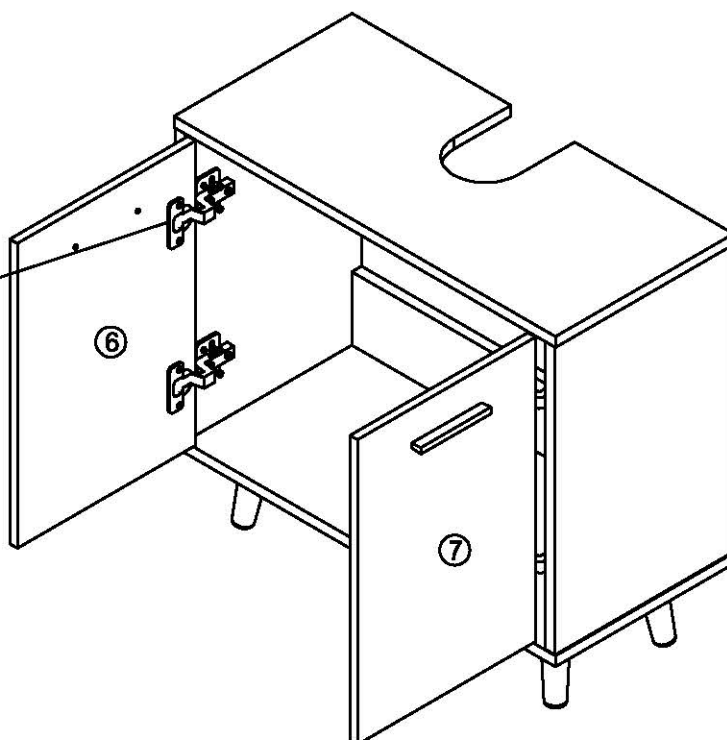
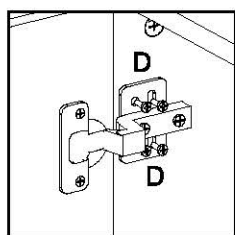


9

D*16

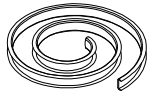


3.5*14 mm

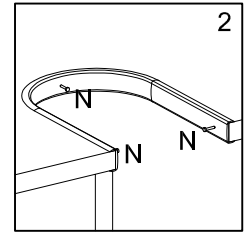
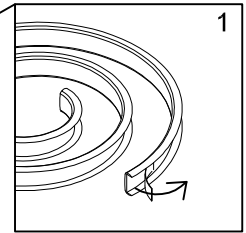
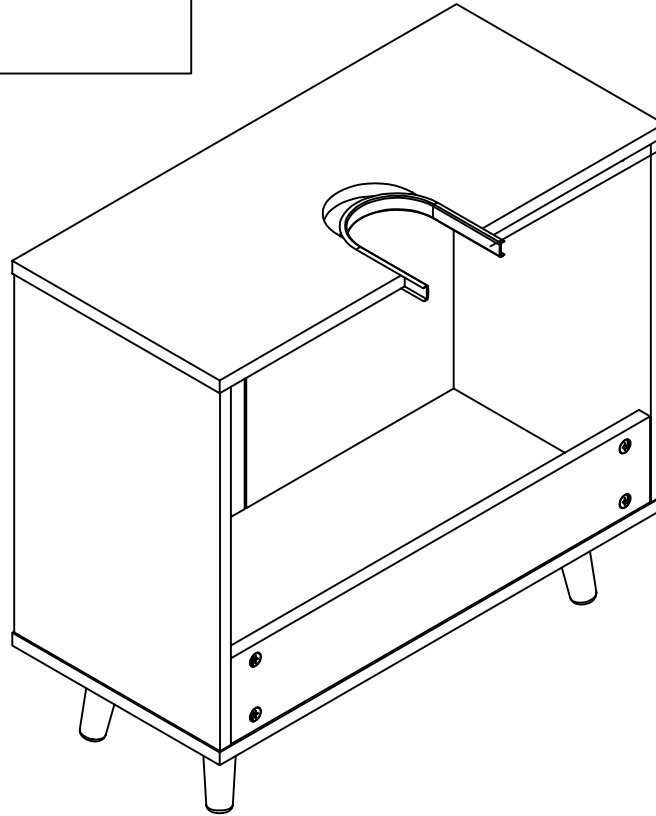


10

M*1

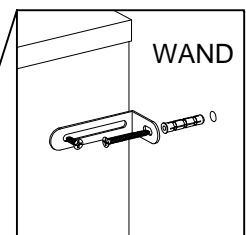
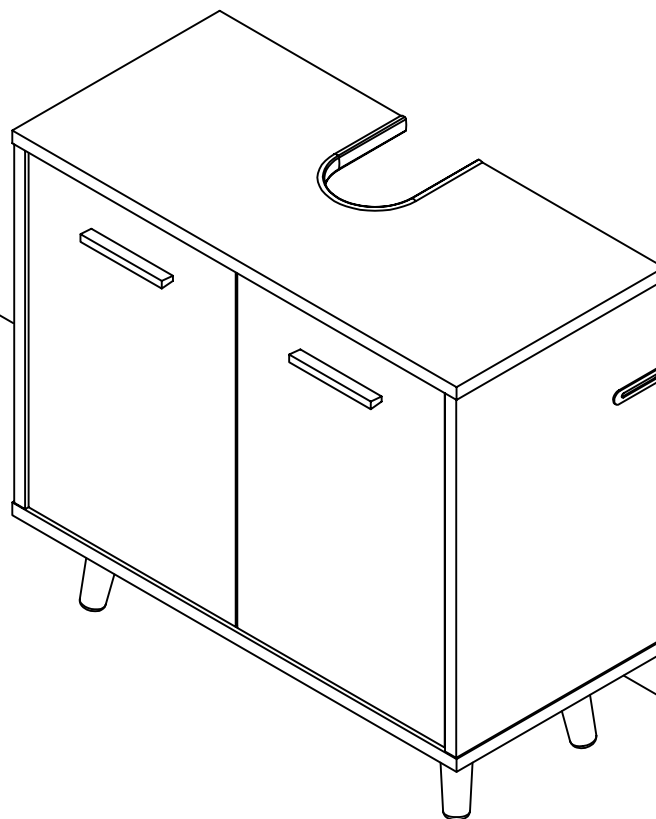
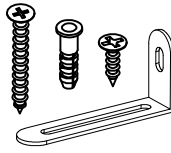


N*3



11

K*2



K