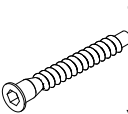



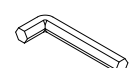
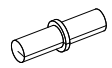
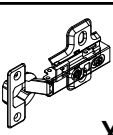
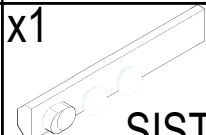
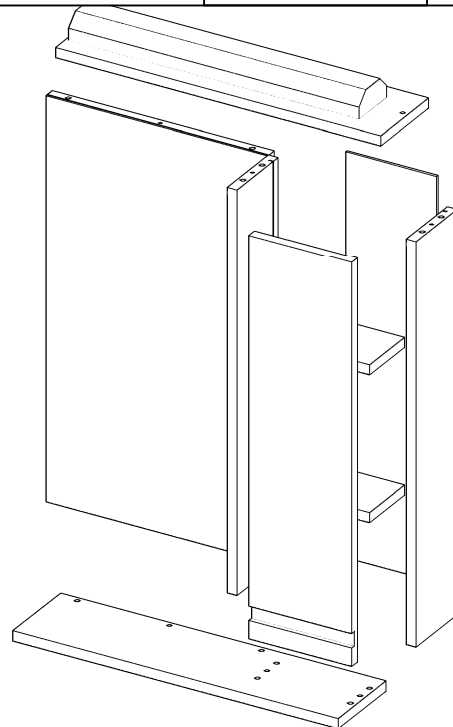
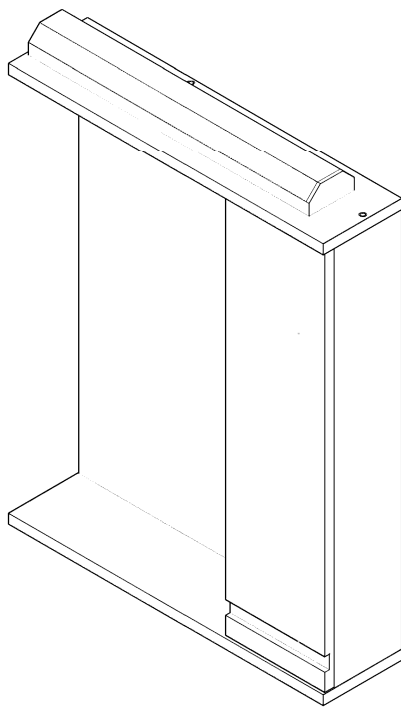
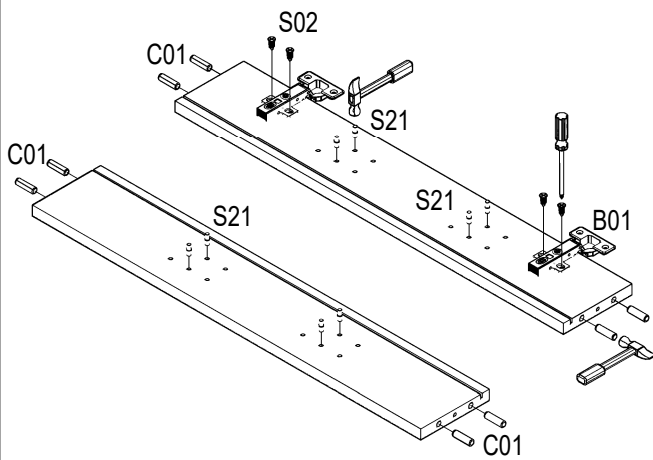


NR.34

 <p>S01 7x50</p>	 <p>S02 3.5x16</p>	 <p>A04</p>	 <p>C01</p>	 <p>D01</p>	 <p>S21</p>
<p>x6</p>	<p>x14</p>	<p>x2</p>	<p>x12</p>	<p>x1</p>	<p>x8</p>
 <p>B01</p>	 <p>S21</p>	<p>SIST.</p>			
<p>x2</p>	<p>x1</p>				

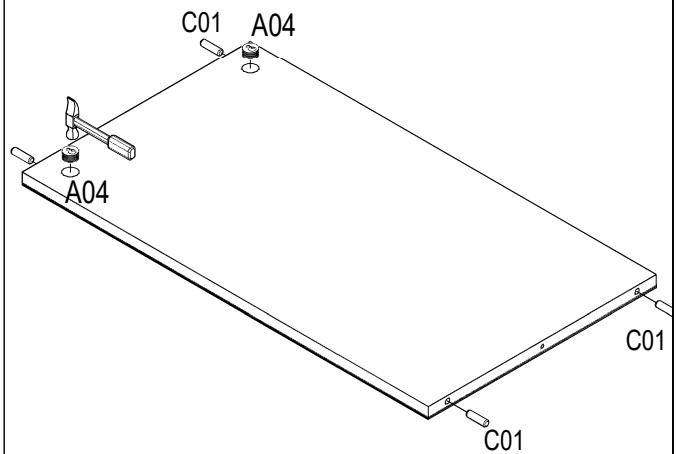


1.



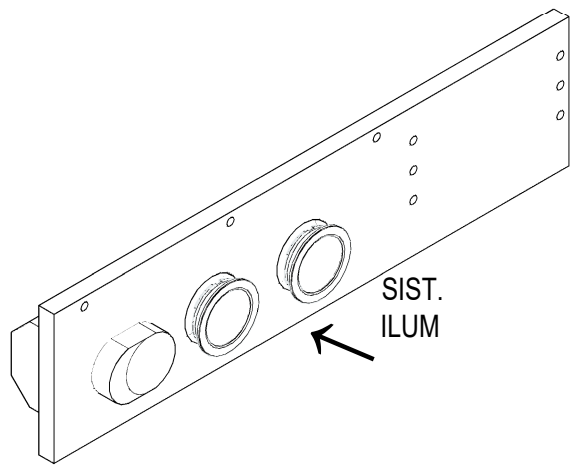
4xB01
4xS02
8xC01
8xS21

2.

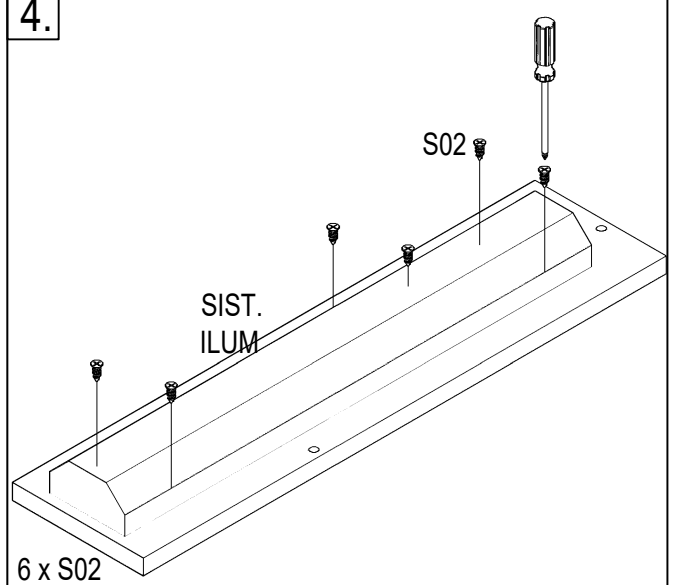


2xA04
4xC01

3.

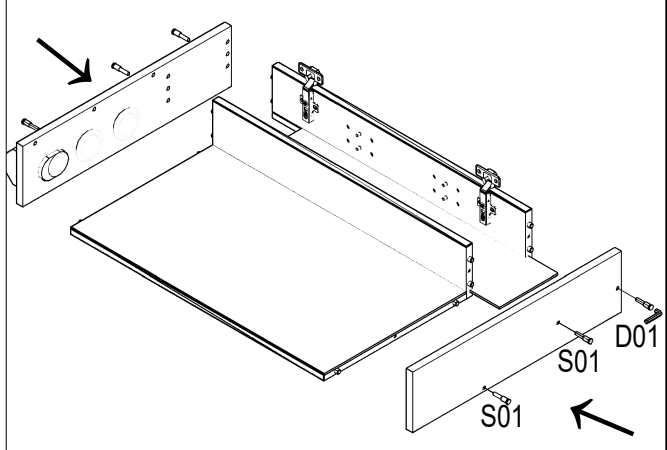


4.



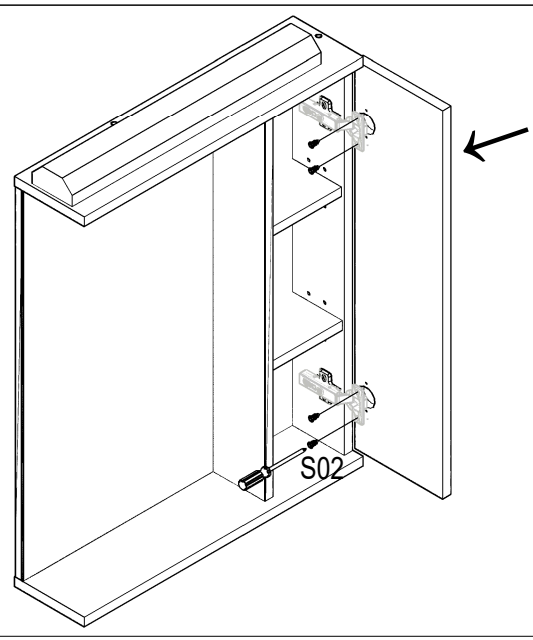
6 x S02
1x SIST. ILUM

5.



6xS01
1xD01

6.



4xS02