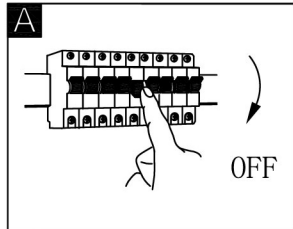


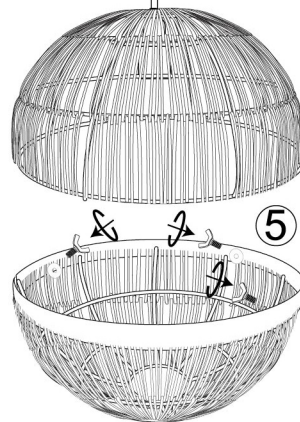
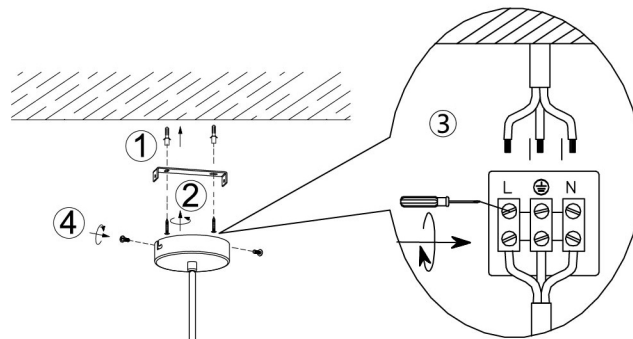
# GLOBO

LIGHTING

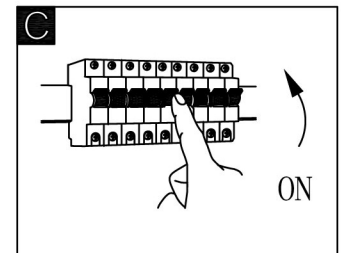
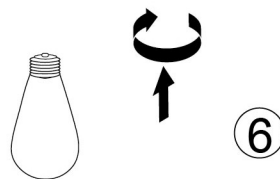
14995H1



B



1x MAX 60W E27  
220-240V~ 50Hz



GLOBO Handels GmbH  
Gewerbestr. 3  
A-9184 Sankt Peter  
Austria  
[www.globo-lighting.com](http://www.globo-lighting.com)  
[office@globo-lighting.com](mailto:office@globo-lighting.com)