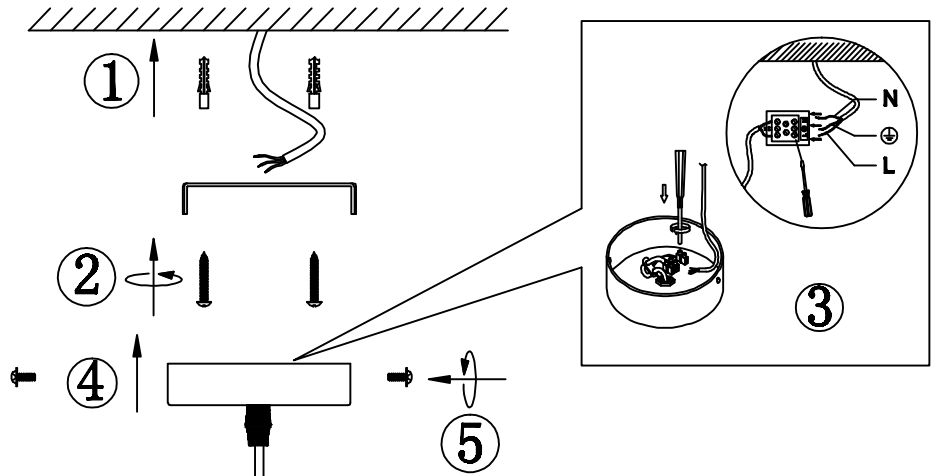


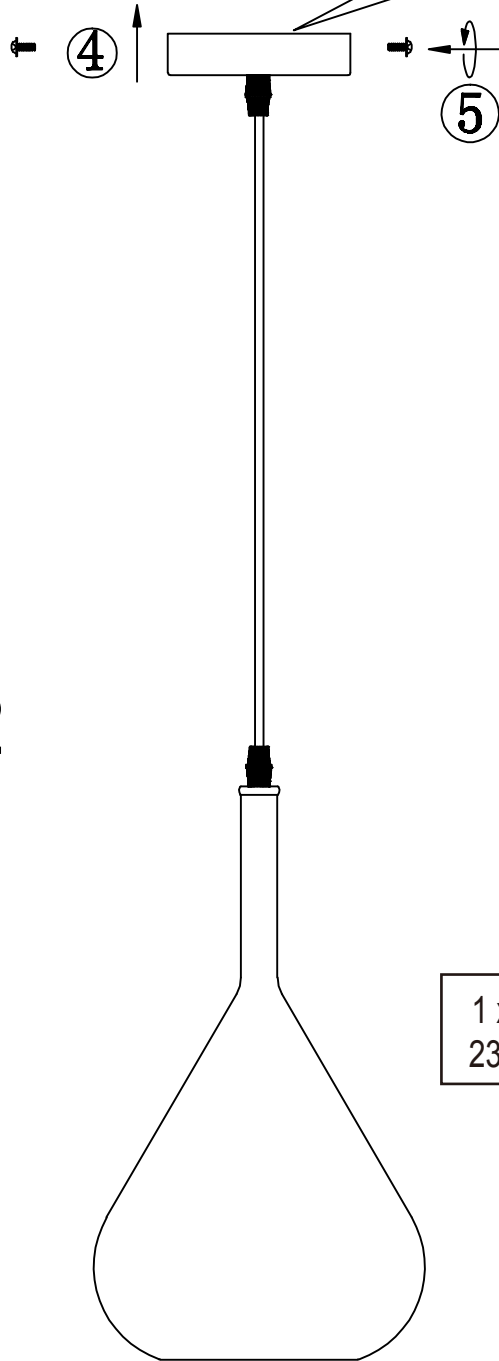
# GLOBO

## LIGHTING

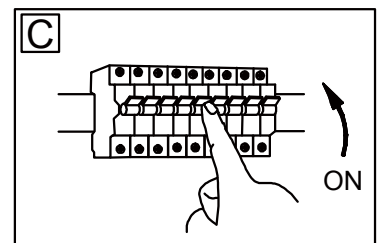
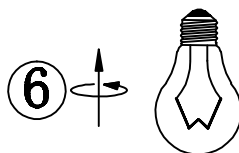
**B**



15542



1 x Max 60W E27  
230V~ 50Hz



GLOBO Handels GmbH  
Gewerbestr. 3  
A-9184 Sankt Peter  
Austria  
www.globo-lighting.com  
office@globo-lighting.com