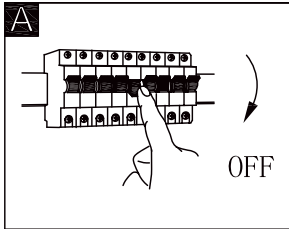


# GLOBO

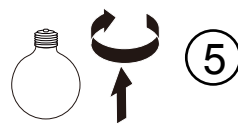
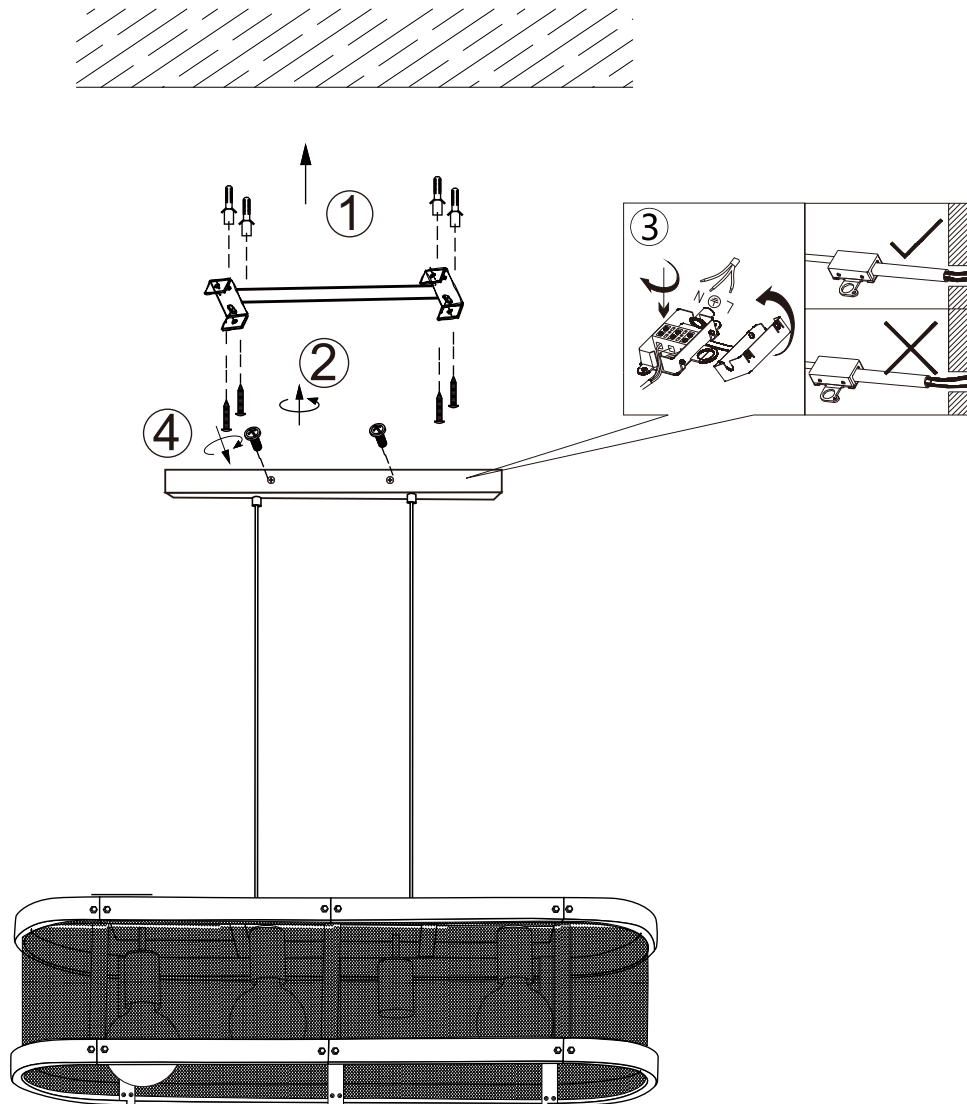
LIGHTING

[www.globo-lighting.com](http://www.globo-lighting.com)

15661H2



B



EXCL.

GLOBO Handels GmbH  
Gewerbestrasse 3  
A-9184 Sankt Peter Austria

