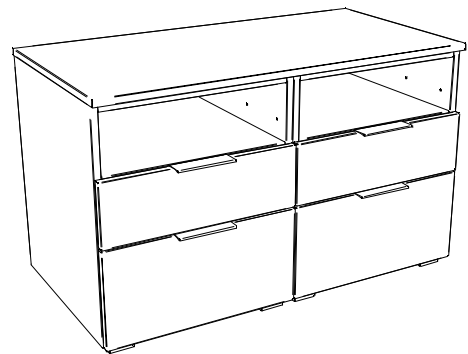
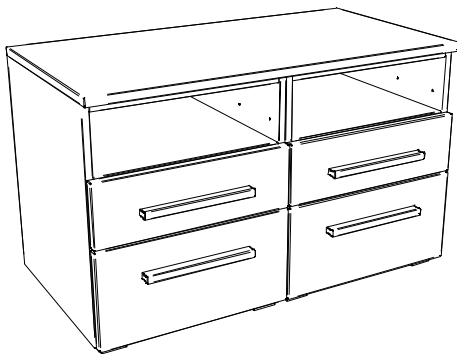
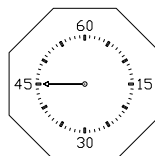
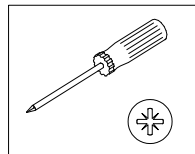
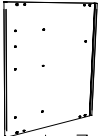
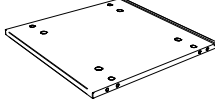
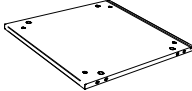
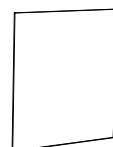
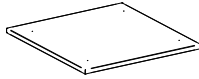
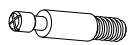
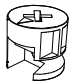
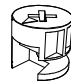
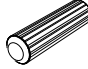
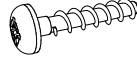
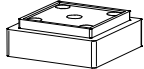
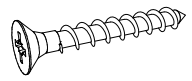
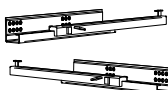

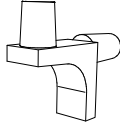
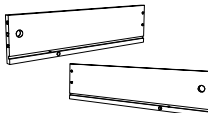

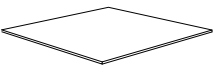

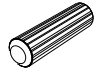
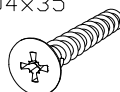


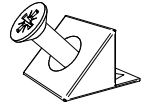


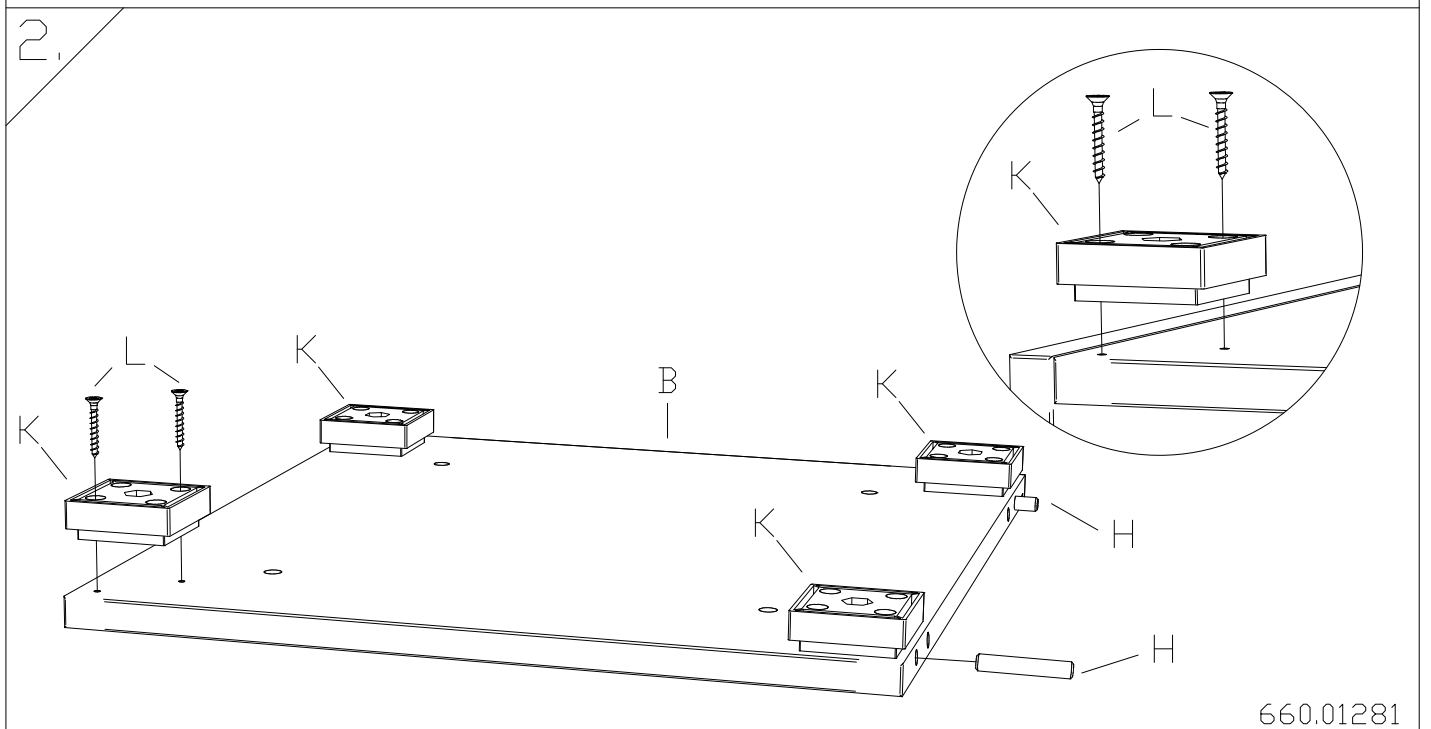
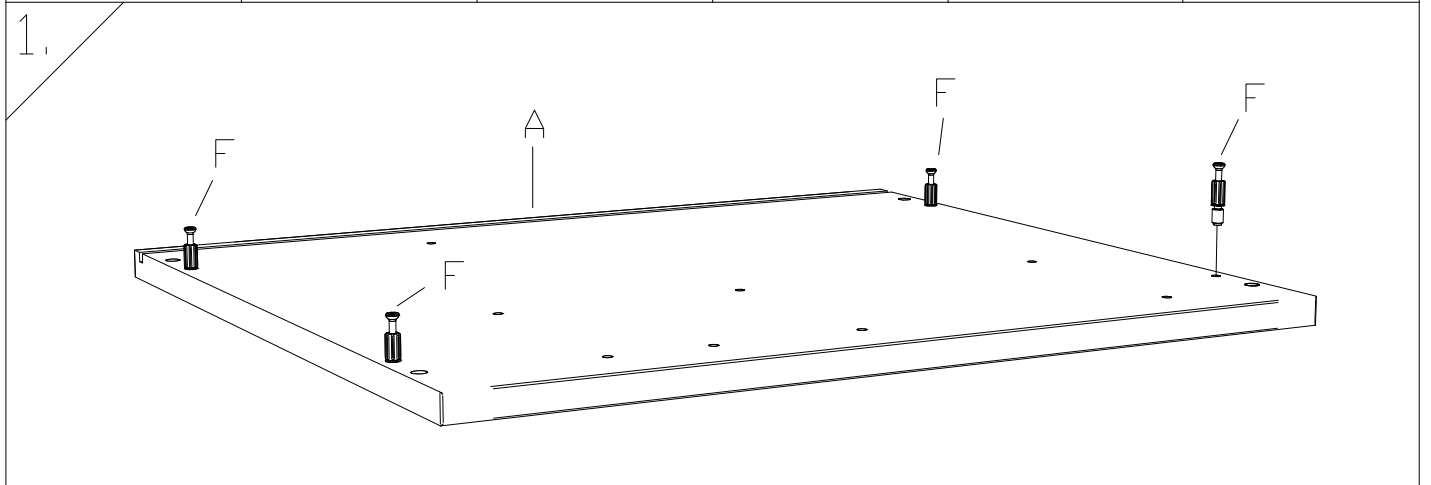
Option

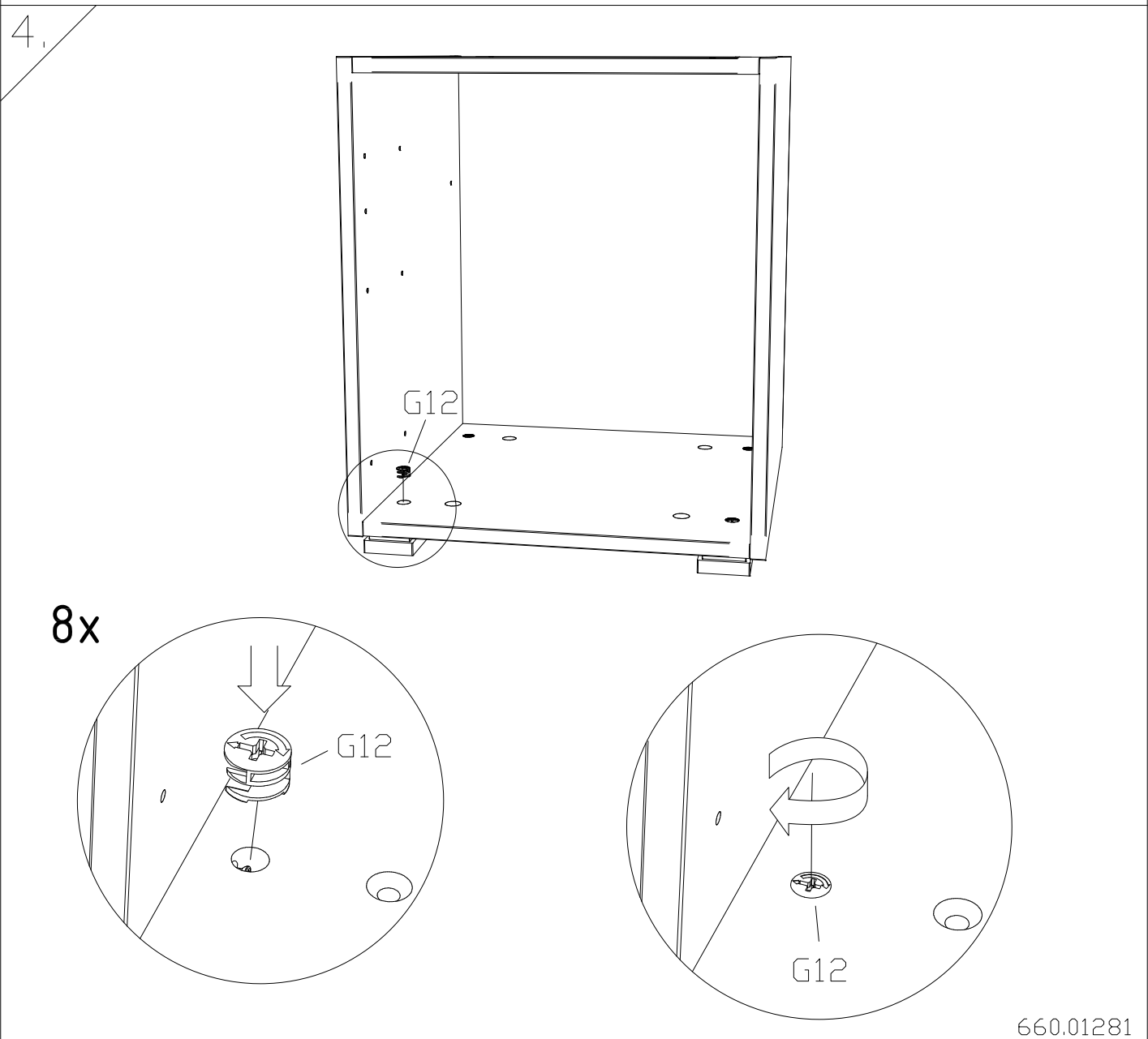
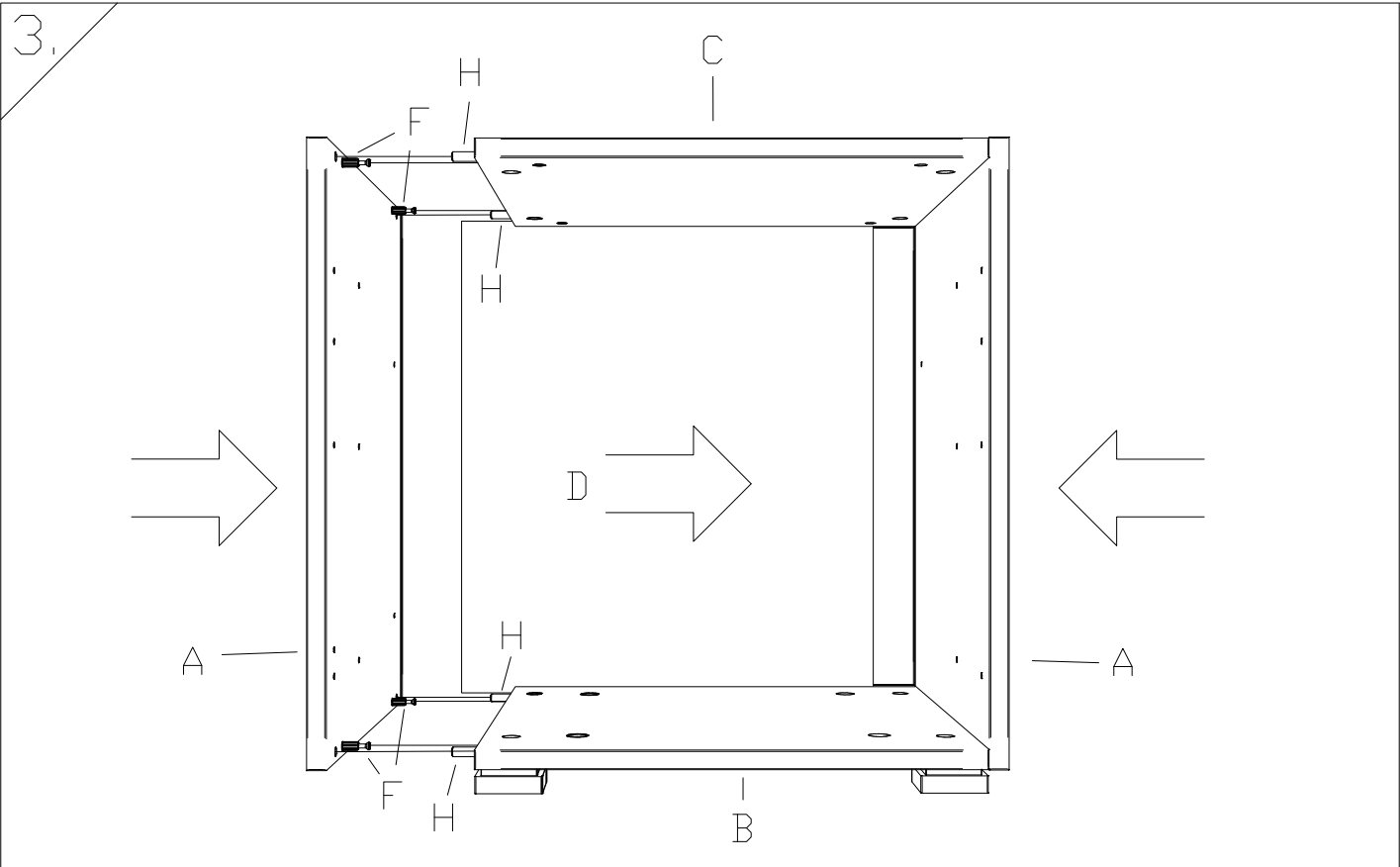


Benötigte Werkzeuge – Outils Nécessaires – Tools Required – Attrezzi Necessari

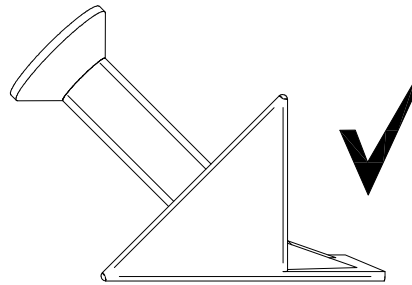
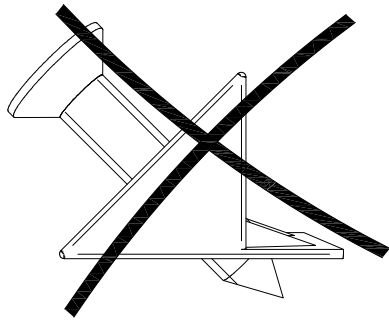


<p>A x2</p>  <p>L 740.166 R 740.167</p>	<p>B x1</p>  <p>740.170</p>	<p>C x1</p>  <p>740.171</p>	<p>D x1</p>  <p>740.177</p>	<p>E x1</p>  <p>740.183</p>	<p>F x12</p>  <p>631.04200</p>
<p>G9 x4</p>  <p>631.06300</p>	<p>G12 x8</p>  <p>631.04100</p>	<p>H x8</p> <p>Ø8x40</p>  <p>630.02200</p>	<p>J x4</p> <p>Ø4x25</p>  <p>631.30900</p>	<p>K x4</p>  <p>630.77736</p>	<p>L x8</p> <p>Ø4x30</p>  <p>631.32000</p>
<p>M x2</p>  <p>li 629.00099 re 629.00100</p>	<p>N x8</p>  <p>631.06100</p>	<p>O x4</p>  <p>631.00013</p>	<p>P10 x1 P15 x1</p>  <p>li 100/150 740.199/201 re 100/150 740.200/202</p>	<p>Q10 x1 Q15 x1</p>  <p>100 740.195 150 740.196</p>	<p>R x2</p>  <p>740.205</p>
<p>S10 x1 S15 x1</p>  <p>100 740.187 150 740.188</p>	<p>T x8</p> <p>Ø6x40</p>  <p>630.01800</p>	<p>U x8</p> <p>Ø4x35</p>  <p>631.34600</p>	<p>W x4</p>  <p>630.200</p>	<p>Z x1</p>  <p>740.181</p>	<p>a x2</p>  <p>629.00006</p>

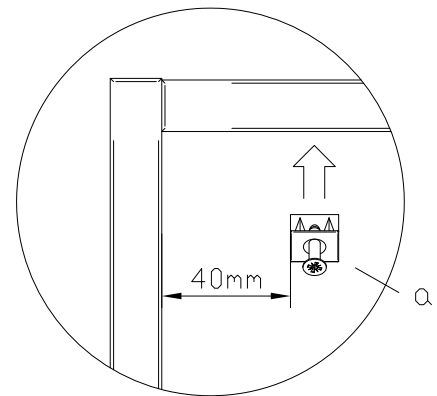
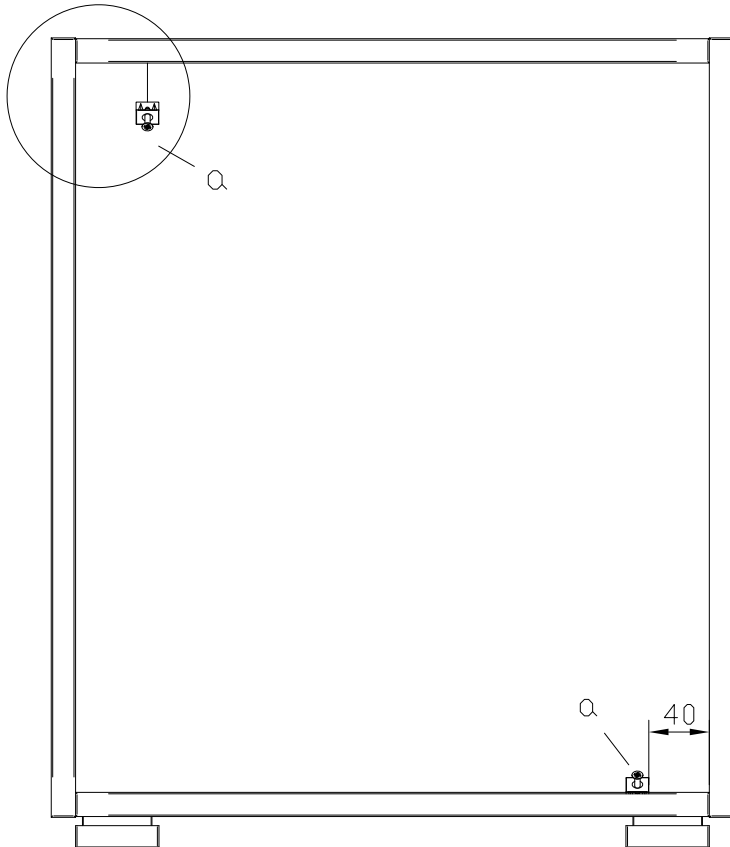




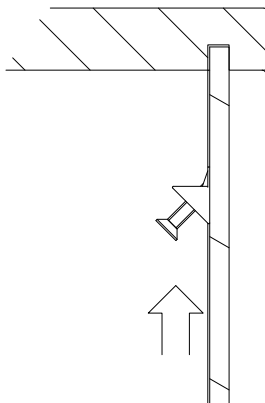
5.



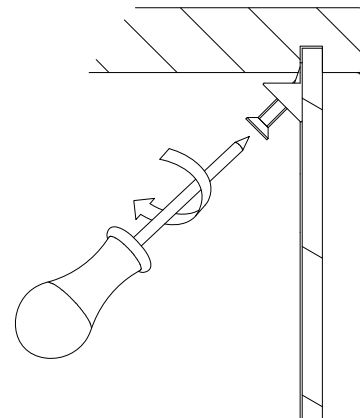
6.



1.



2.



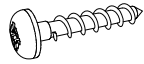
Option

E x1



J x8

Ø4x25



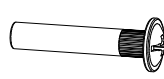
631.30900

I x4

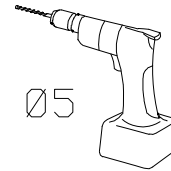


631.20100

V x4

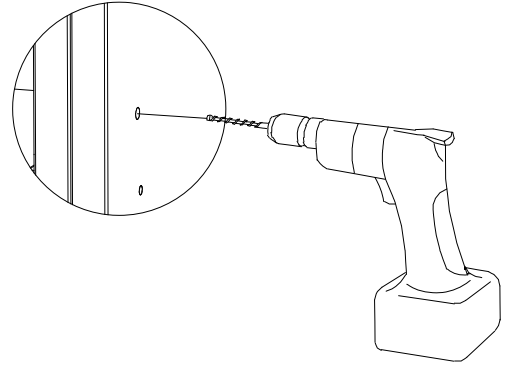
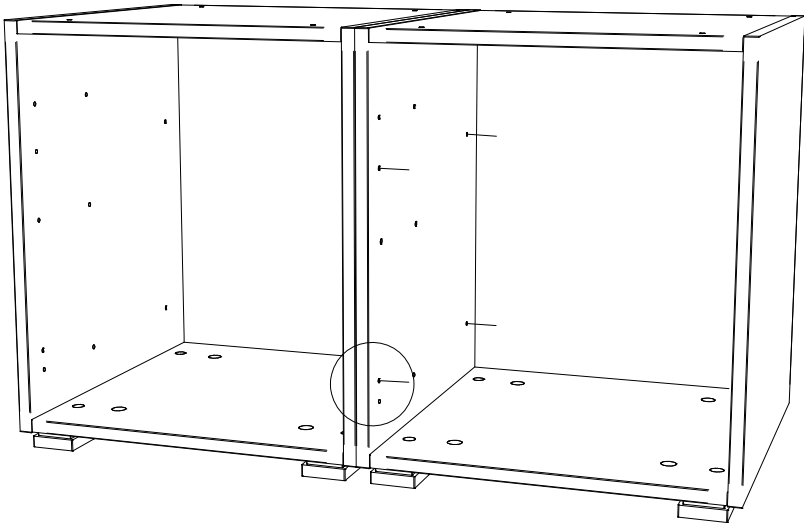


631.20200

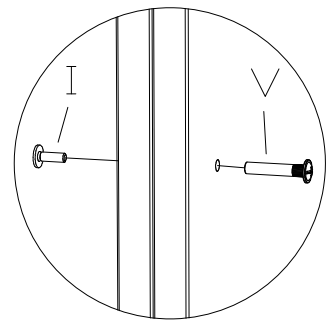
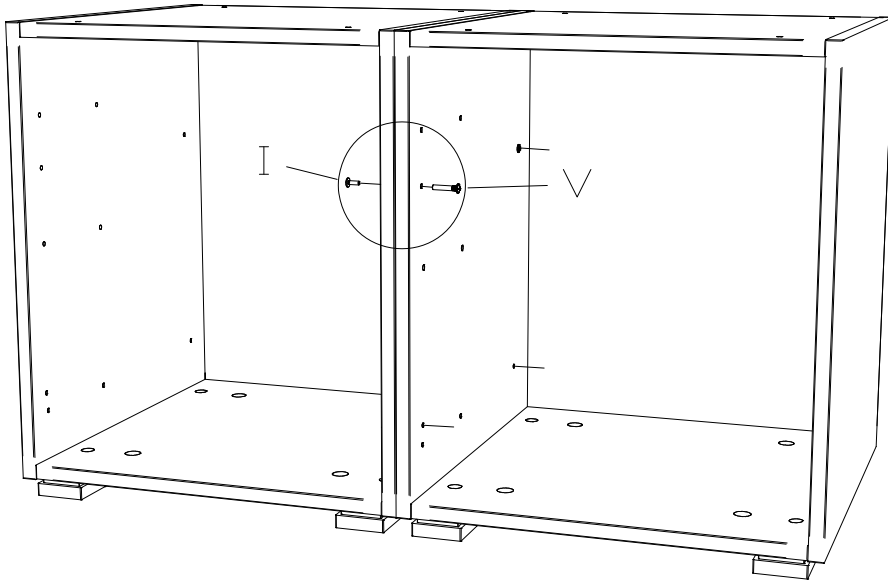


Ø5

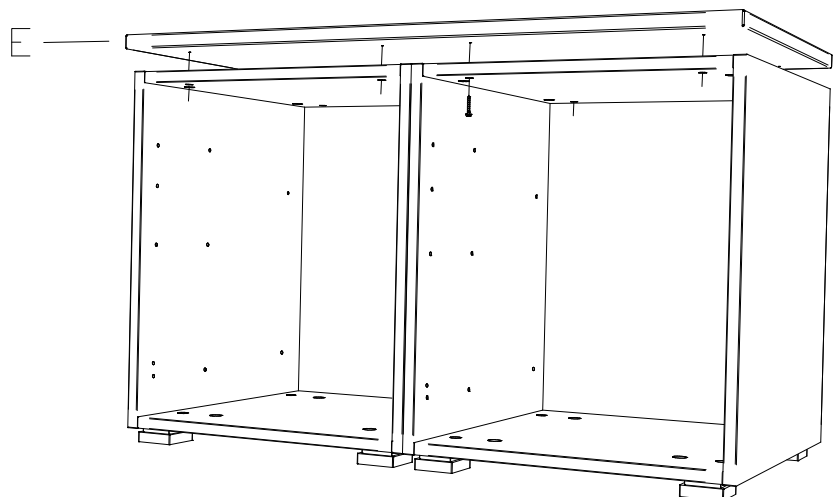
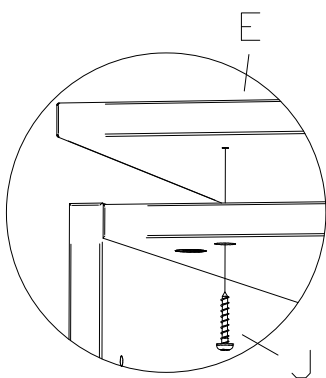
1.



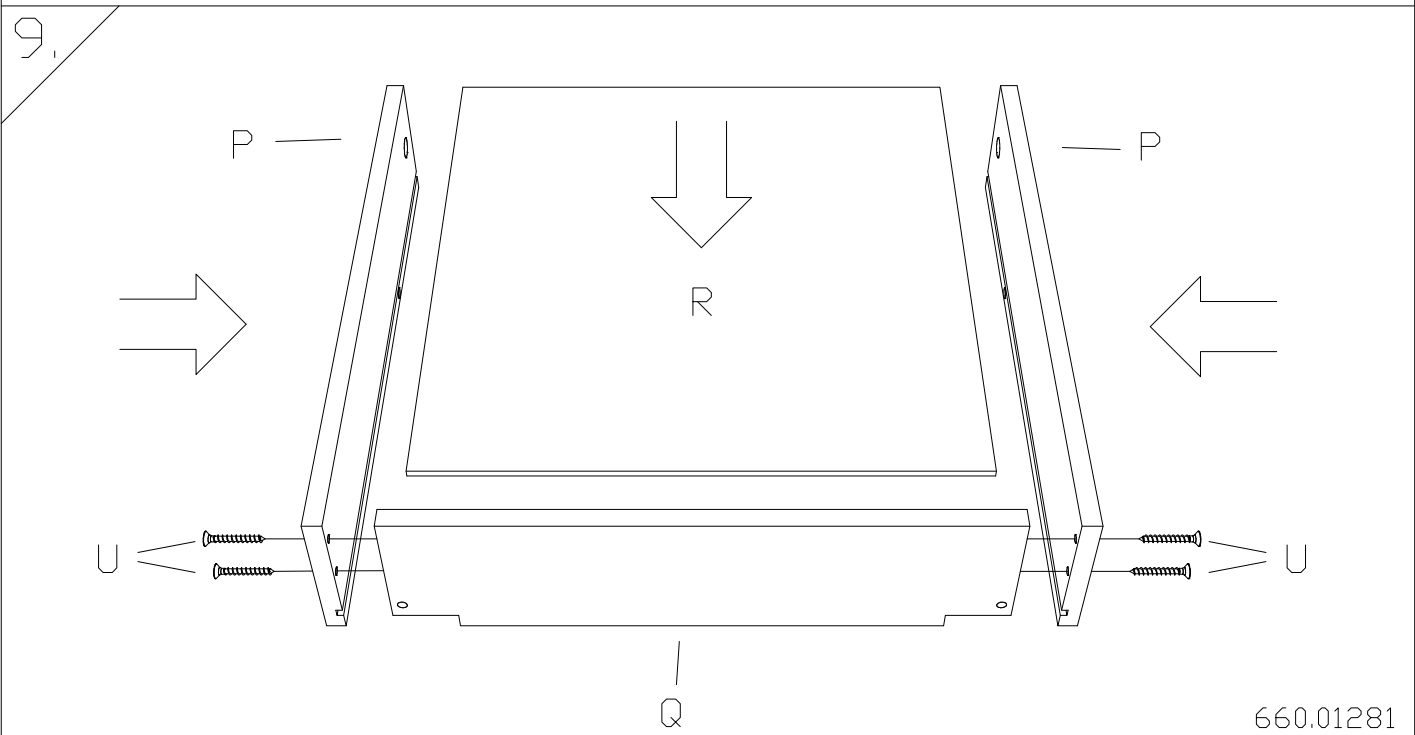
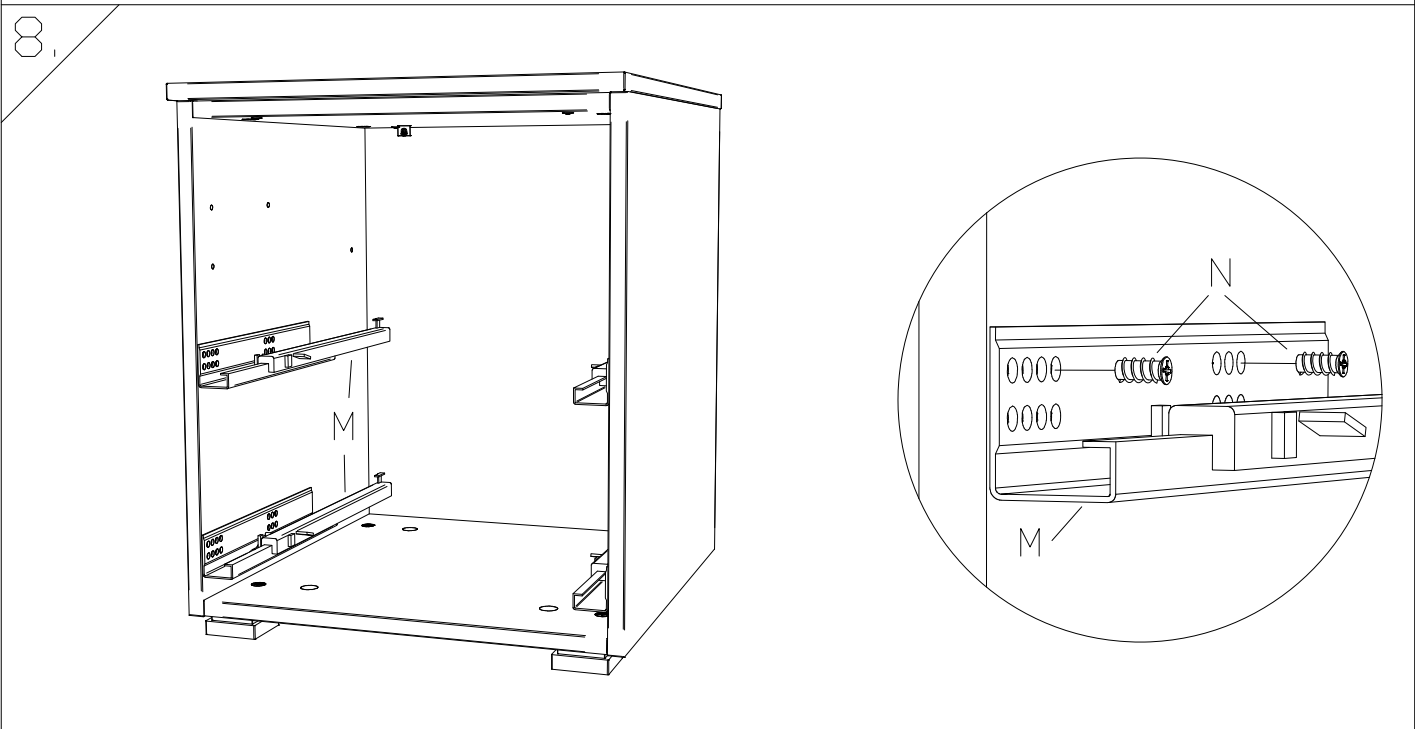
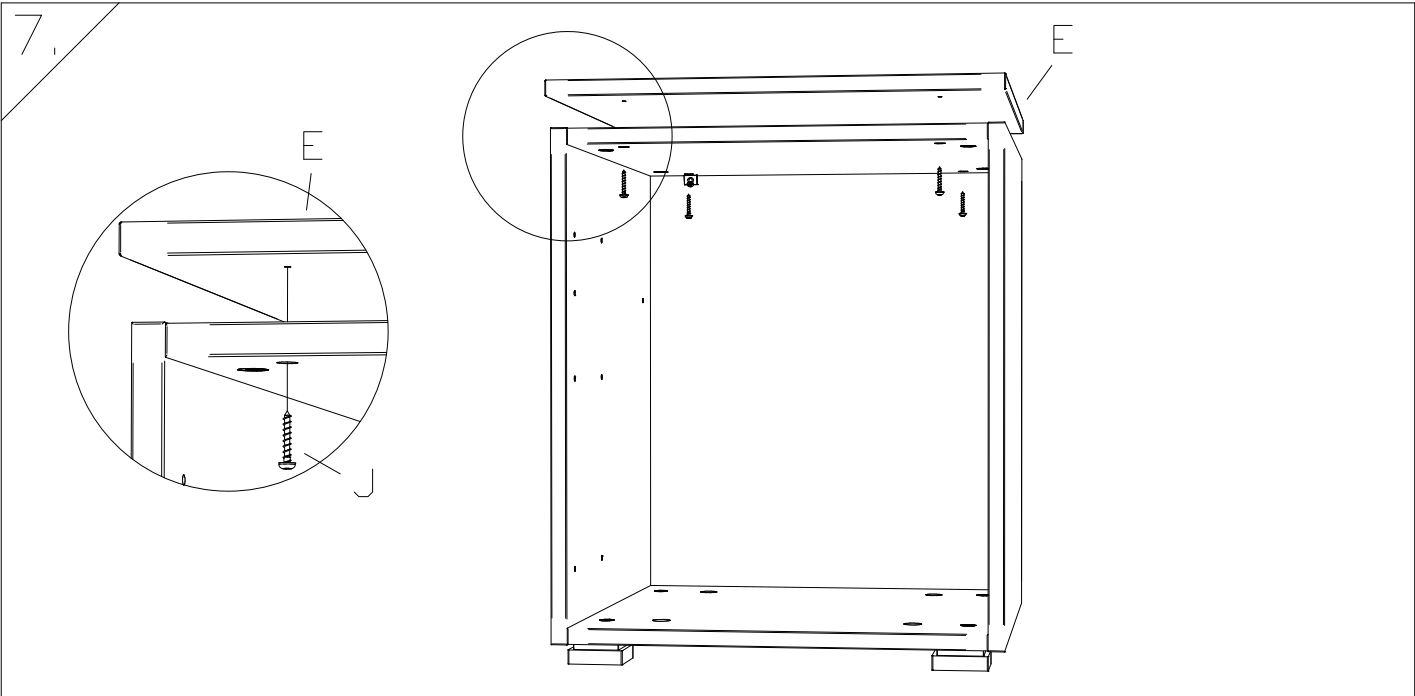
2.



3.



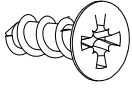
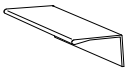
660.01281



Version A

X x2

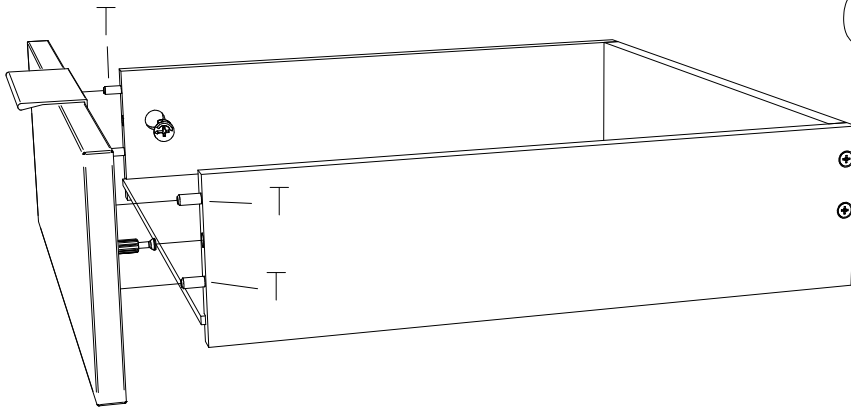
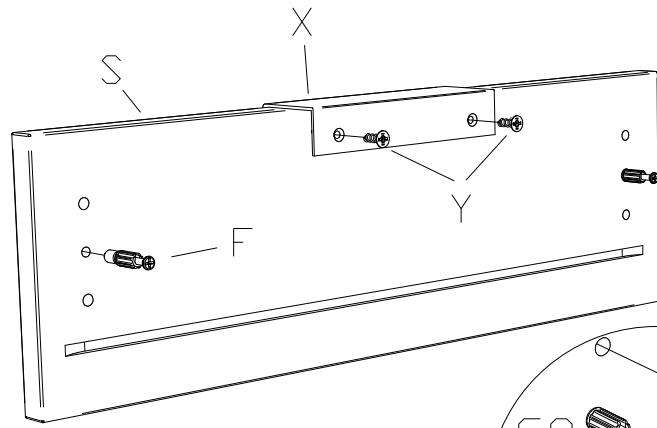
Y x4



630.80336

631.24000

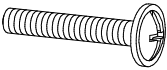
10



Version B

X x2

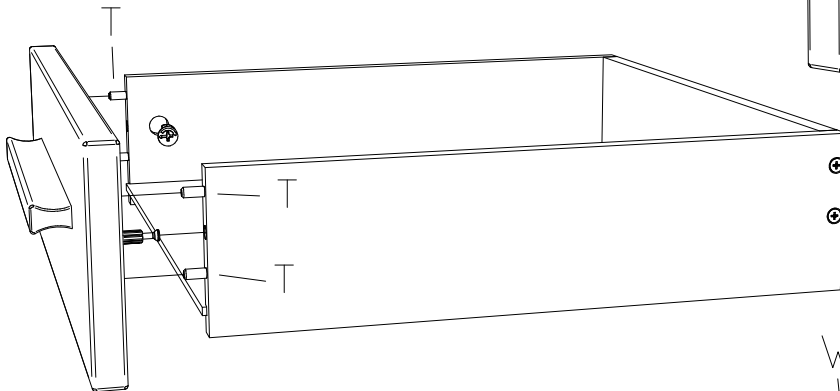
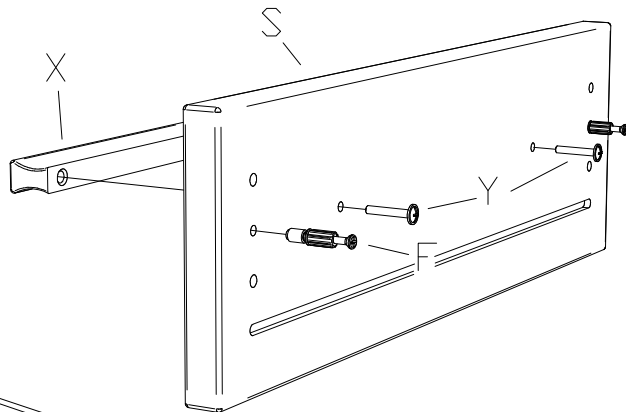
Y x4



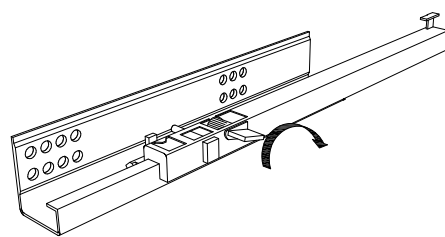
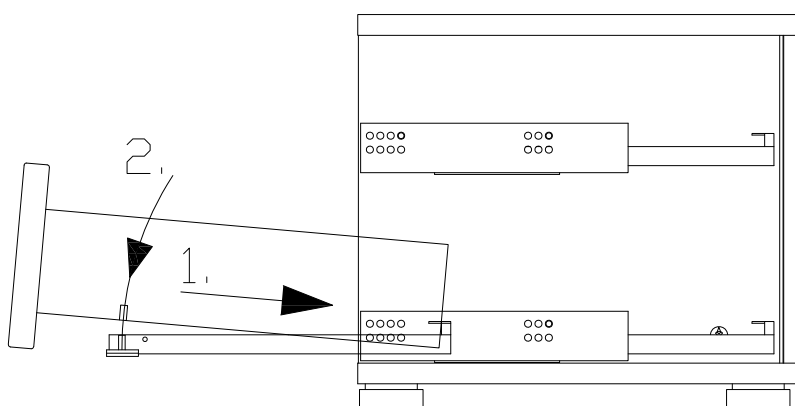
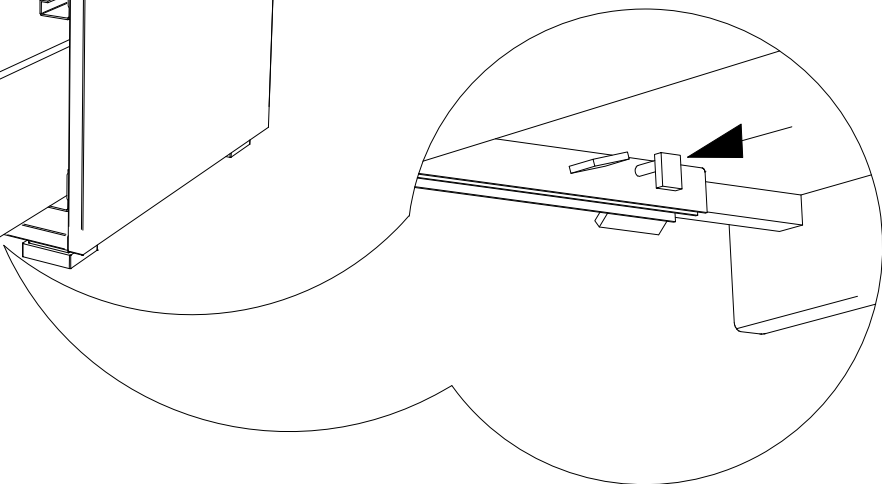
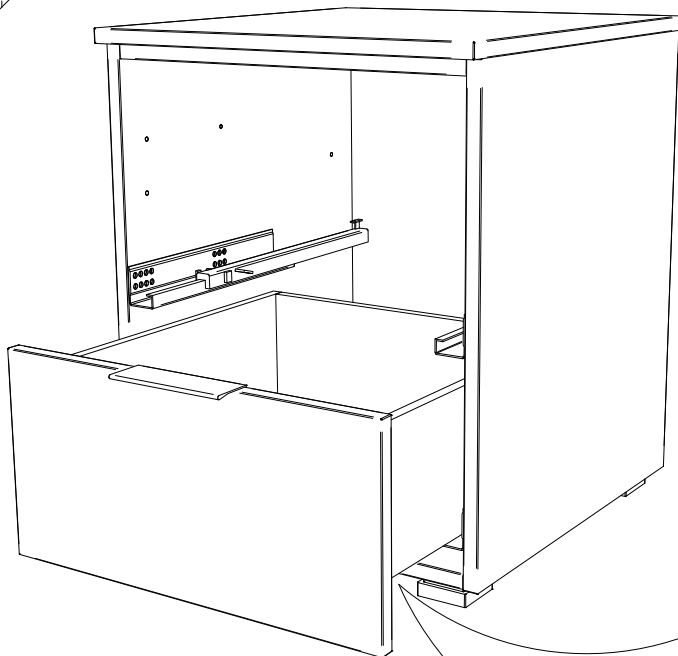
740.208

631.31700

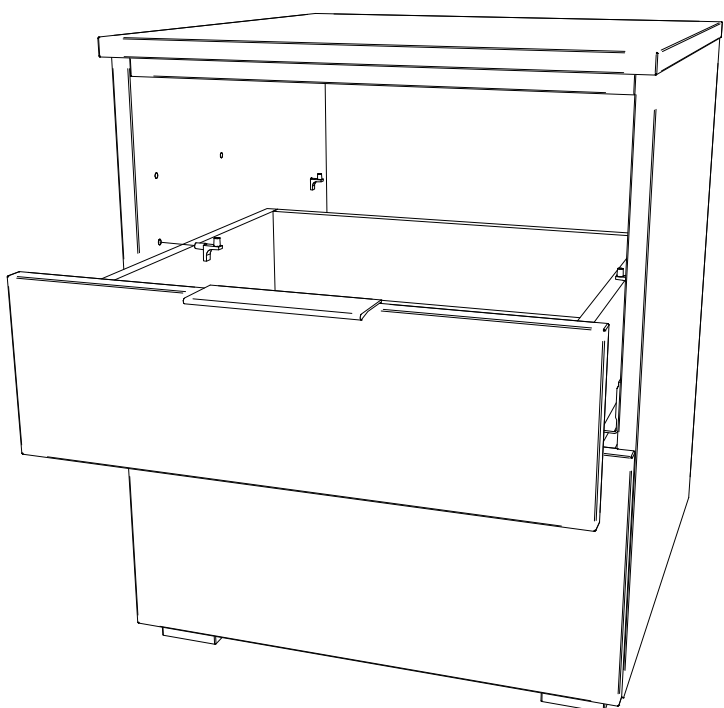
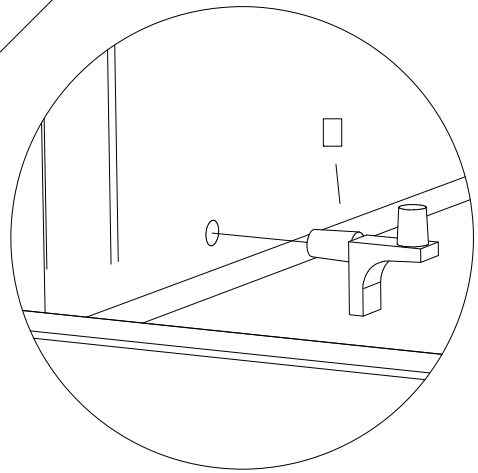
10



11



12



13.

