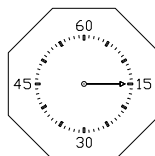
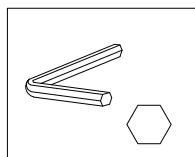
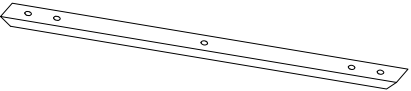
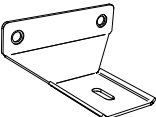
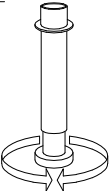
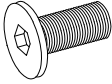
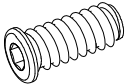
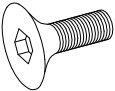
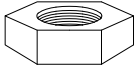
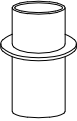
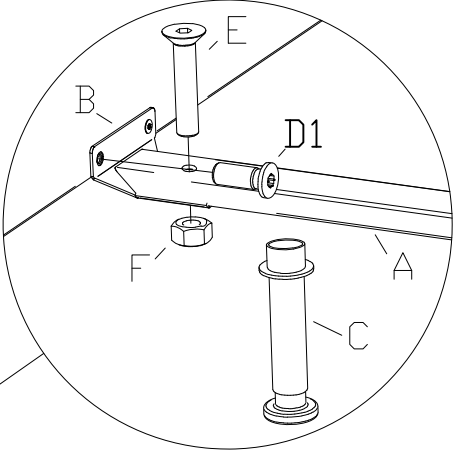
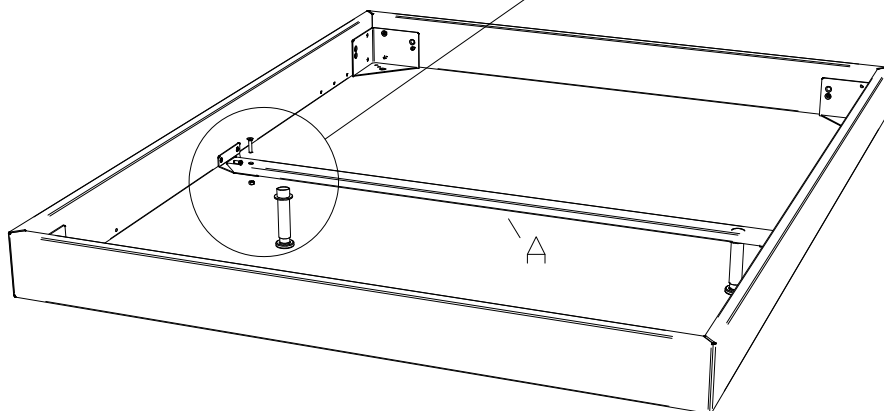


Benötigte Werkzeuge – Outils Nécessaires – Tools Required – Attrezzi Necessari

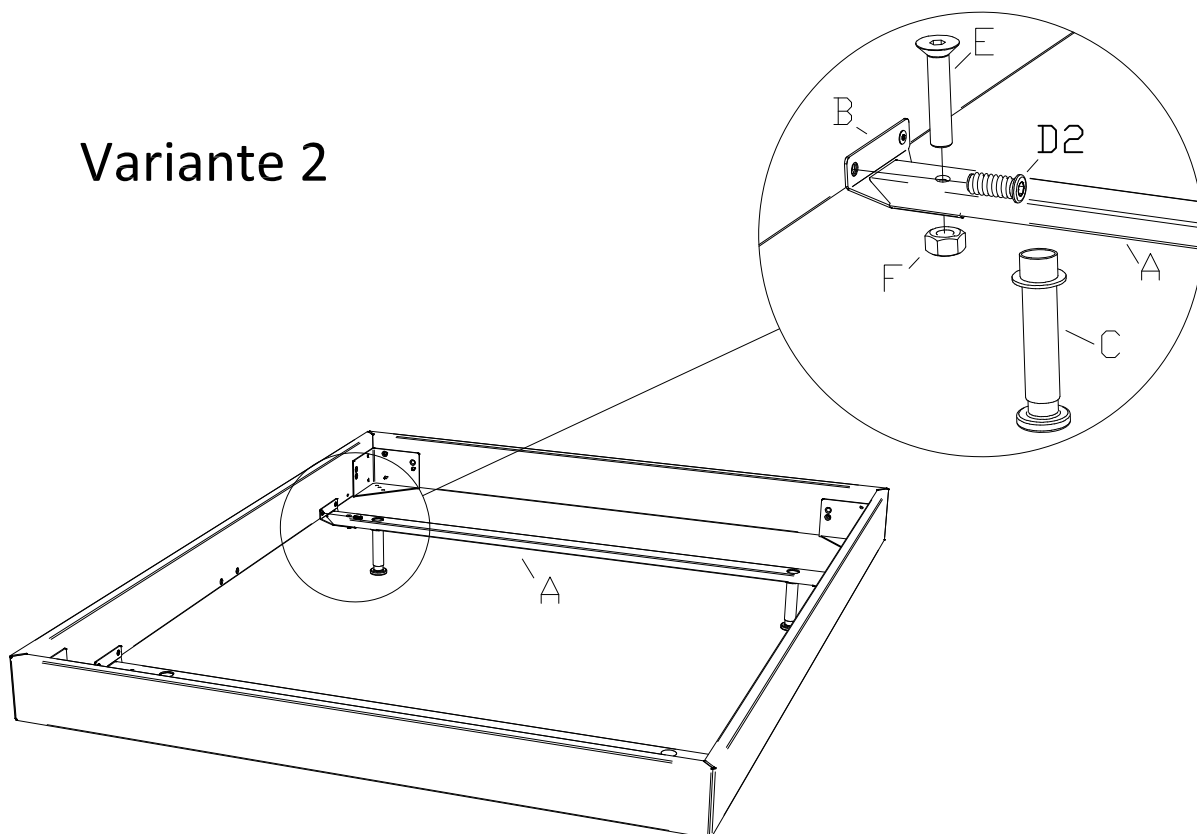


<p>A ×1</p> 	<p>B ×2</p>  <p>790.244</p>	<p>C ×2</p> 	<p>D1 ×4</p> <p>Variante 1</p>  <p>631.880</p>	<p>D2 ×4</p> <p>Variante 2</p>  <p>631.601</p>
<p>E ×2</p>  <p>631.877</p>	<p>F ×2</p>  <p>631.621</p>	<p>G ×2</p>  <p>630.177</p>		

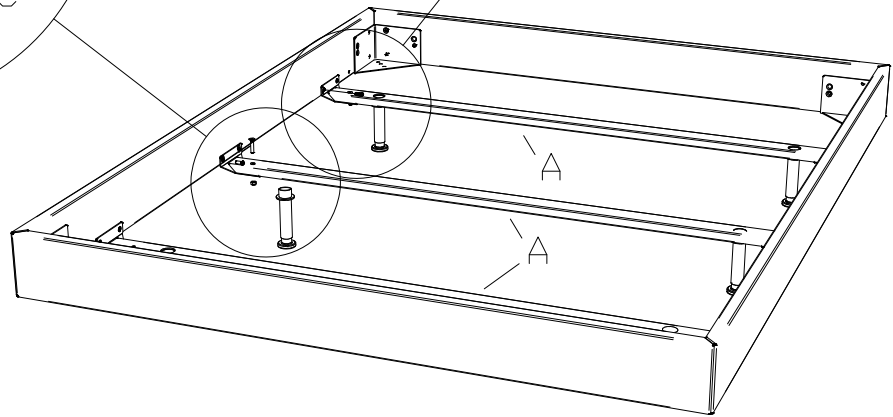
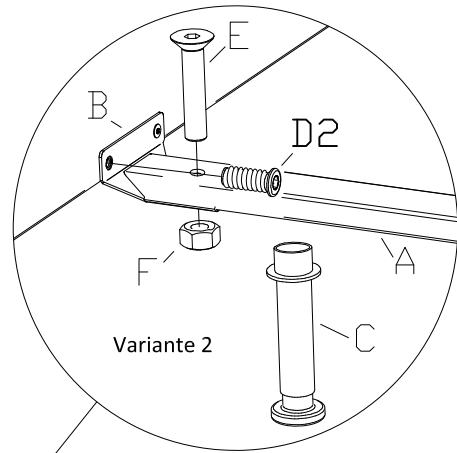
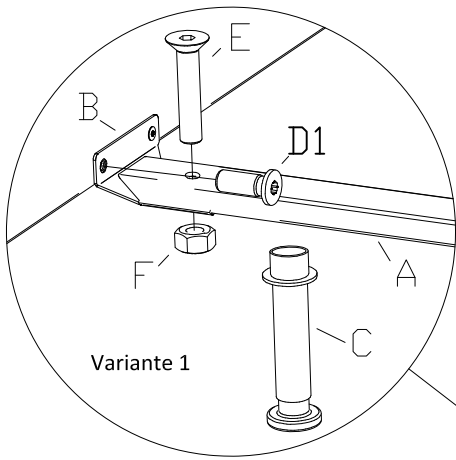
Variante 1



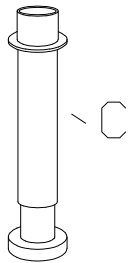
Variante 2



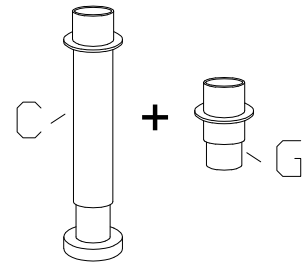
Variante 3



$h \leq 25\text{cm} =$

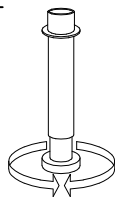


$h > 25\text{cm} =$

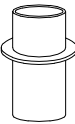


$180 + 200er$
+

C x1



G x1



630.177

