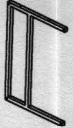


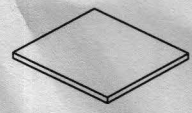
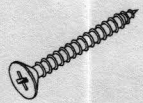
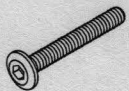
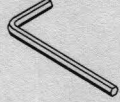





Item No.:25819

Part # 7461

| | | | | | | | |
|-------|---|-------|---|------|--|-------|---|
| ① |  | ② |  | ③ |  | ④ |  |
| 2 | | 2 | | 2 | | 1 | |
| A |  | B |  | C |  | D |  |
| 6 PCS | | 8 PCS | | 1 PC | | 2 PCS | |
| E |  | F |  | | | | |
| 2 PCS | | 4 PCS | | | | | |

