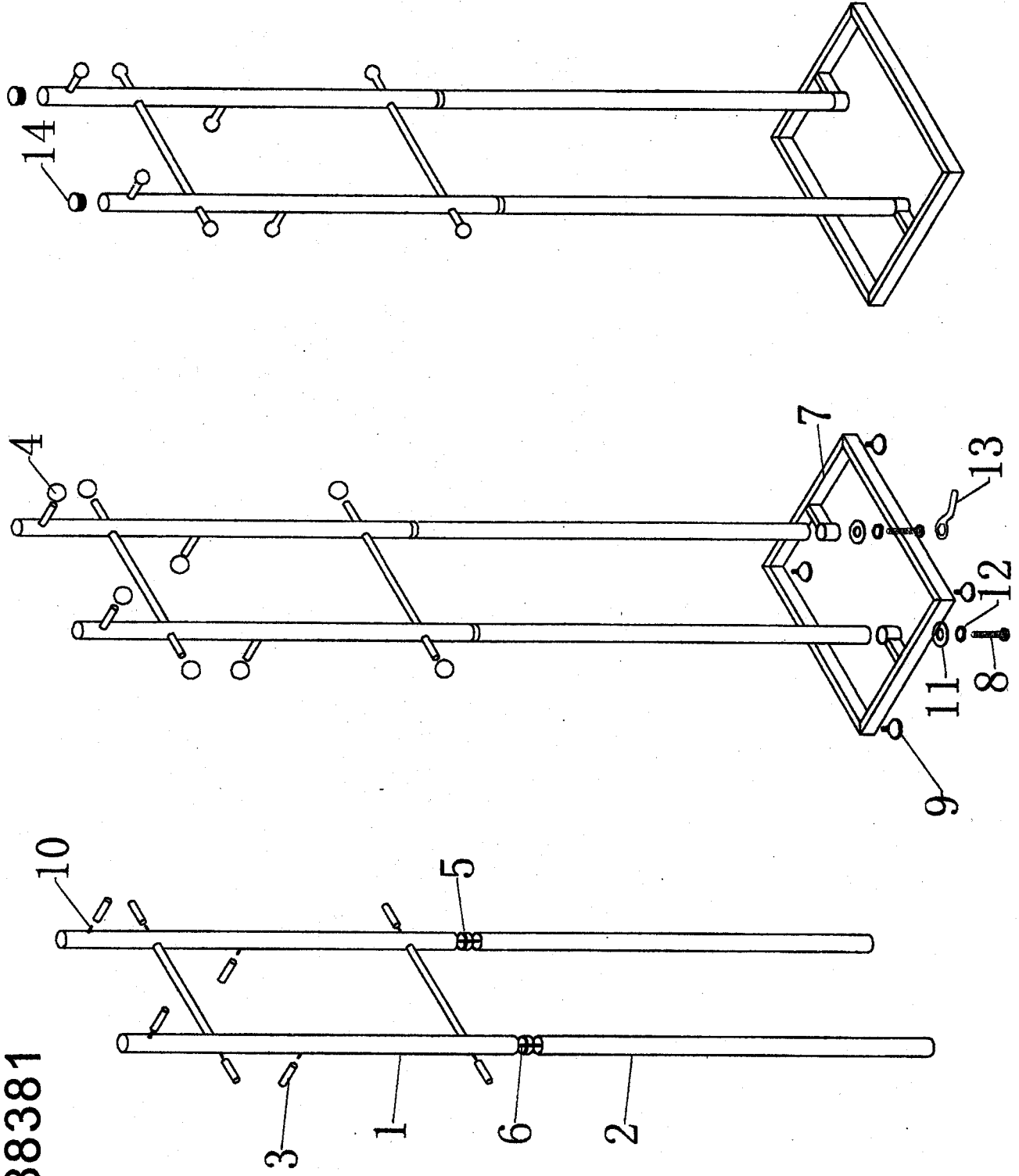


88381



| NO. | FIGURE | QUANTITY |
|-----|--------|----------|
| 1   |        | 1        |
| 2   |        | 2        |
| 3   |        | 8        |
| 4   |        | 8        |
| 5   |        | 2        |
| 6   |        | 2        |
| 7   |        | 1        |
| 8   |        | 2        |
| 9   |        | 4        |
| 10  |        | 8        |
| 11  |        | 2        |
| 12  |        | 2        |
| 13  |        | 1        |
| 14  |        | 2        |