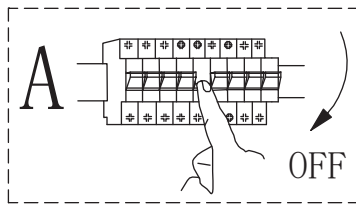


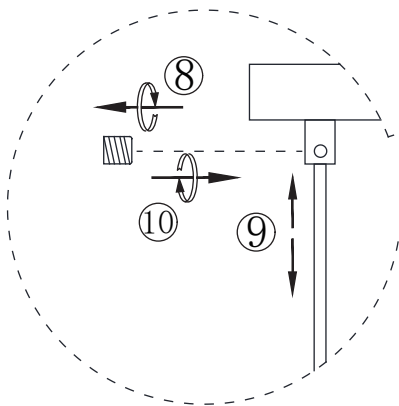
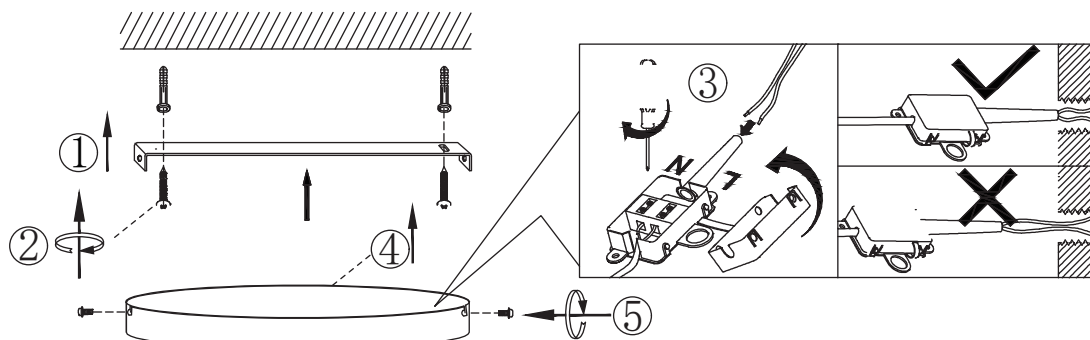
GLOBO

LIGHTING

57906-3H
57906-3HW



B

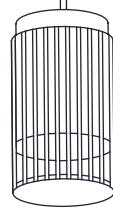
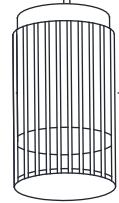
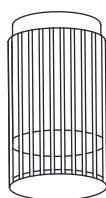


3 x MAX 25W GU10
230V~50Hz

⑥



⑦



GLOBO Handels GmbH
Gewerbestr. 3
A-9184 Sankt Peter Austria
www.globo-lighting.com
office@globo-lighting.com

