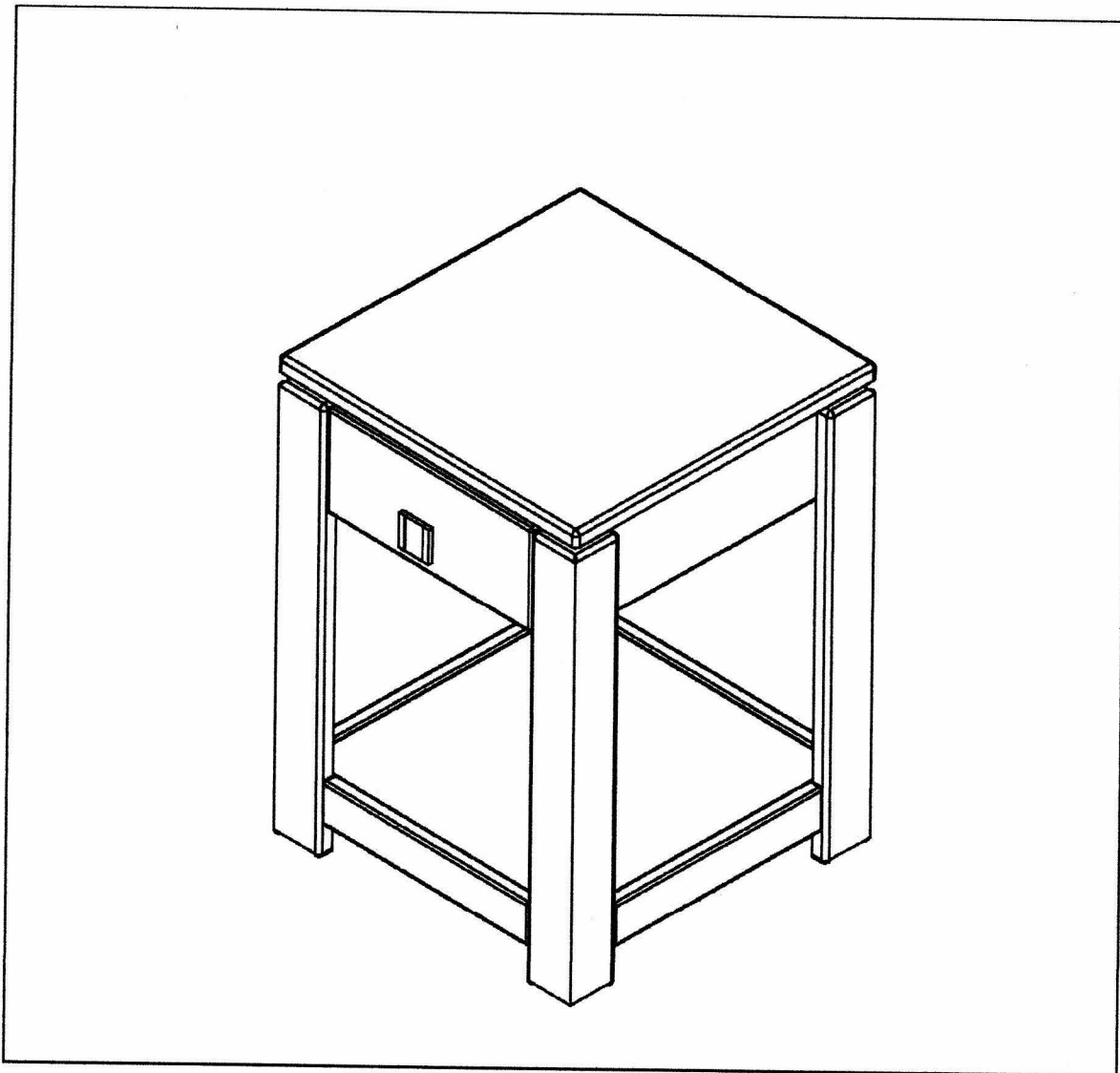


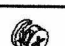




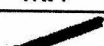

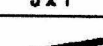
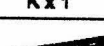
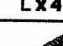
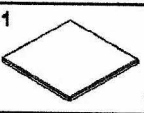
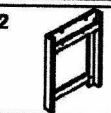
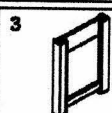
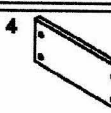
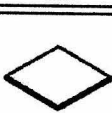
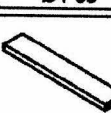



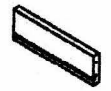


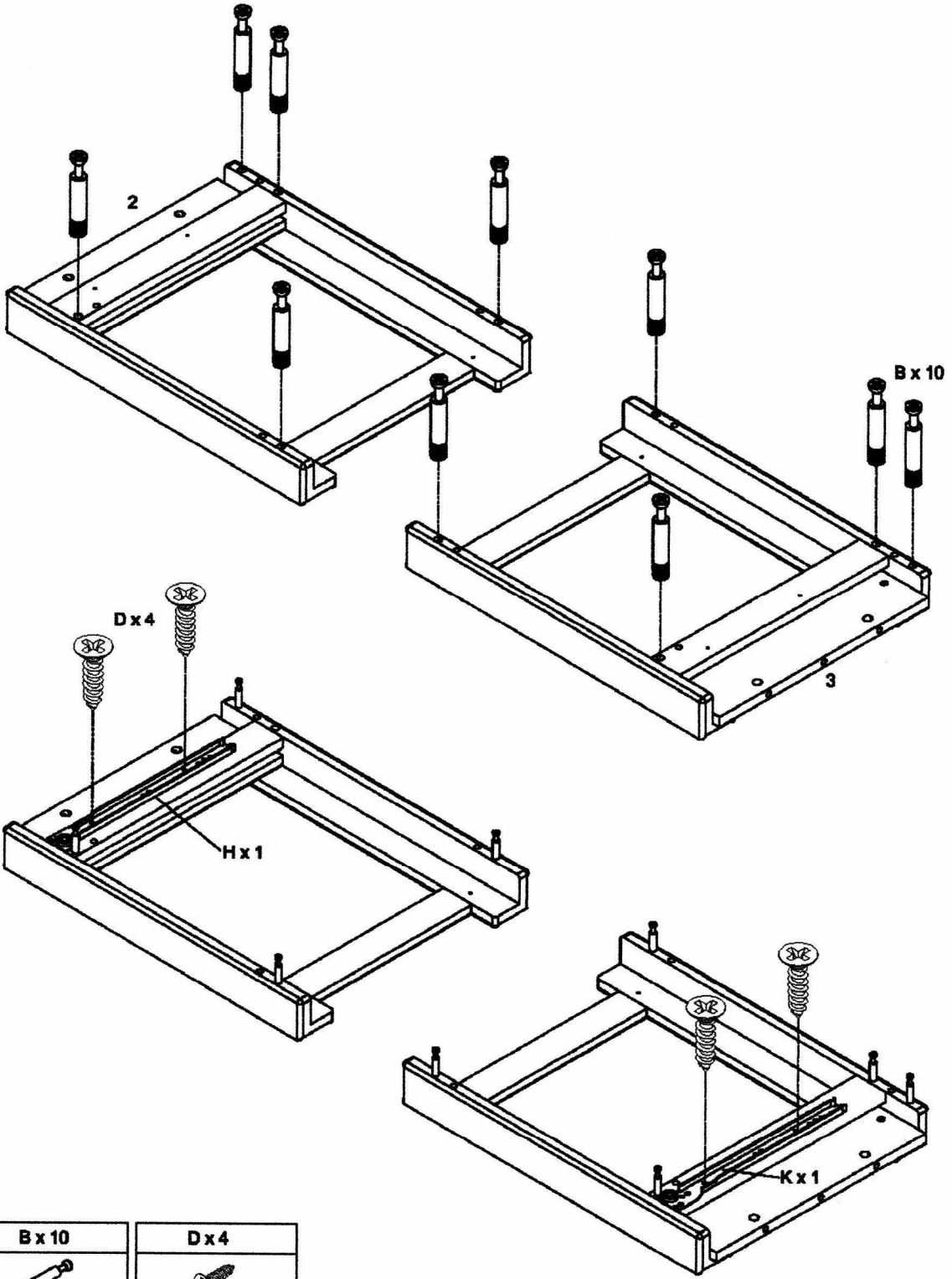





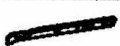
42566 (EK08175BW)



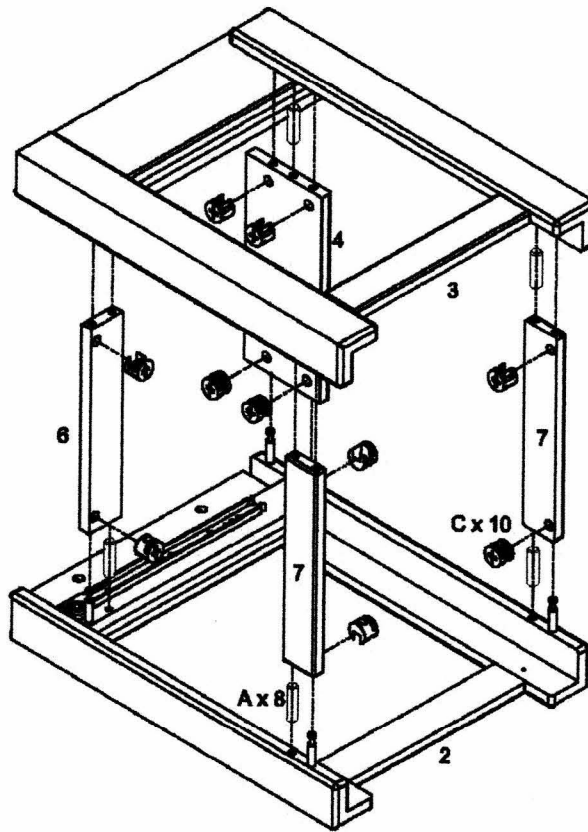
A x 12  Ø7.8*30	B x 16  M6*24	C x 16  Ø12*12	D x 20  Ø3.5*14	E x 4  18.5*16.5*13	F x 1  40*40*5
G x 2  M4*19	H x 1  300	I x 1  300	J x 1  300	K x 1  300	L x 4  Ø4*35
1  1	2  1	3  1	4  1	5  1	6  1
7  2	8  1	9  1	10  1	11  1	12  1



1



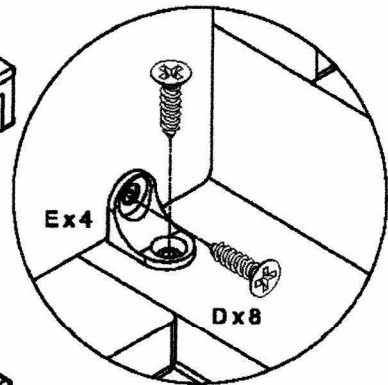
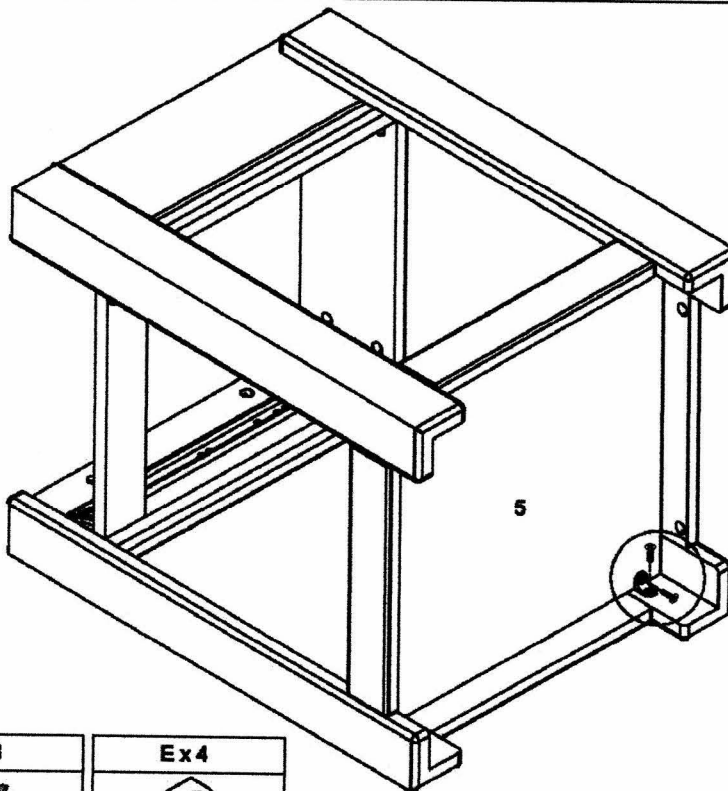
B x 10	D x 4
 M6*24	 Ø3.5*14
H x 1	K x 1
 300	 300



2



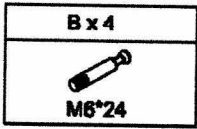
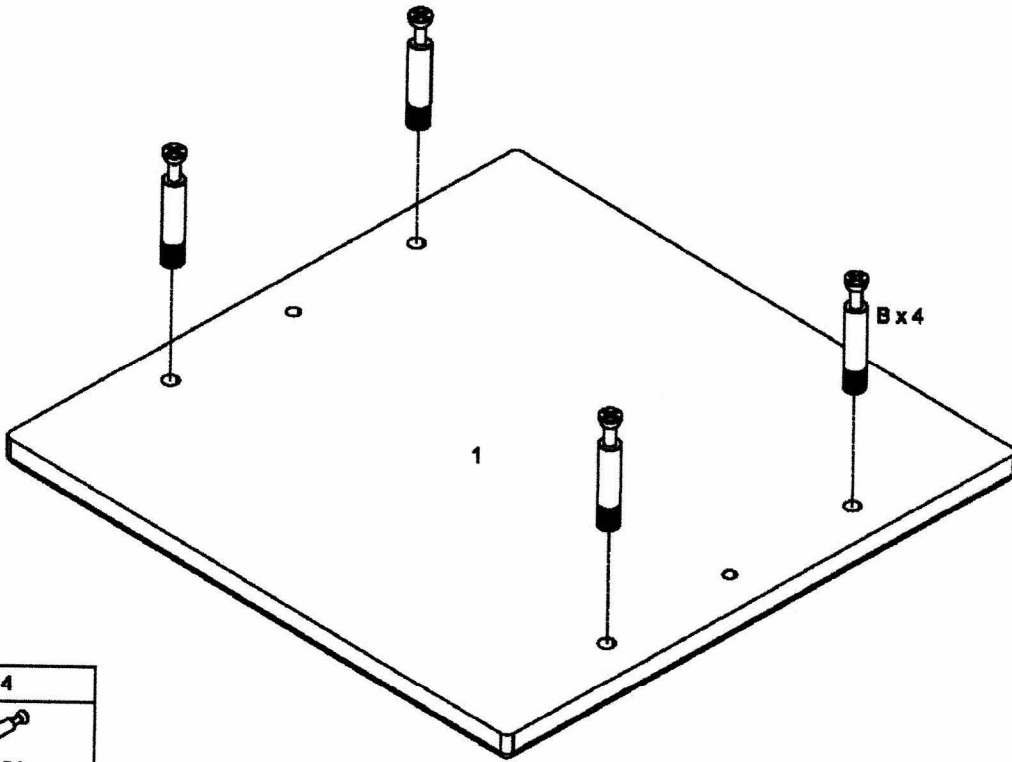
Ax8

$\varnothing 7.8 \times 30$
Cx10

$\varnothing 12 \times 12$

3

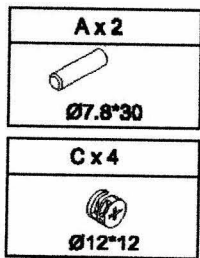
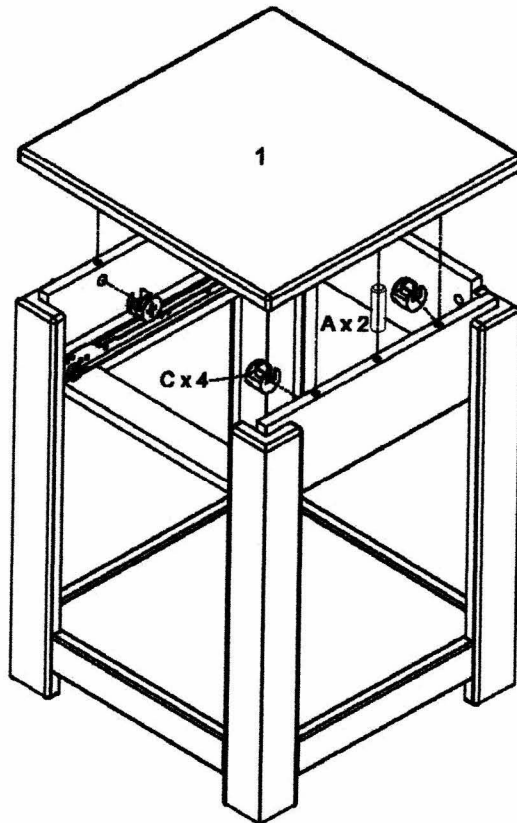


Dx8	Ex4
	
$\varnothing 3.5 \times 14$	$18.5 \times 15.5 \times 13$

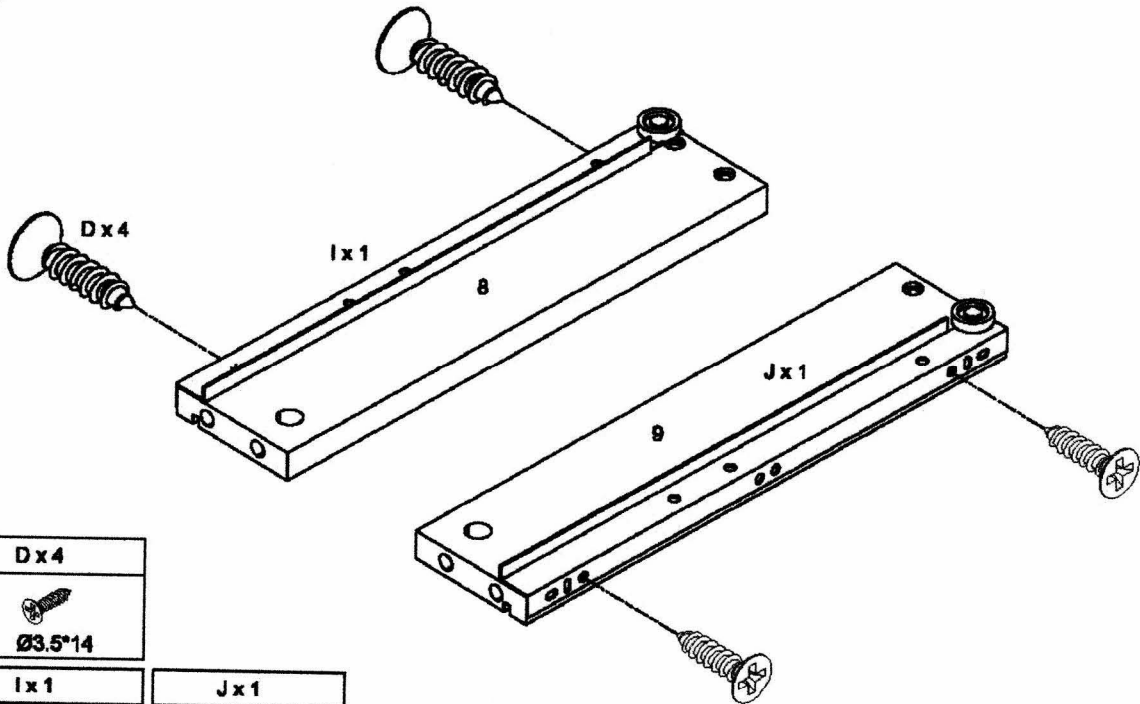
4





5




6

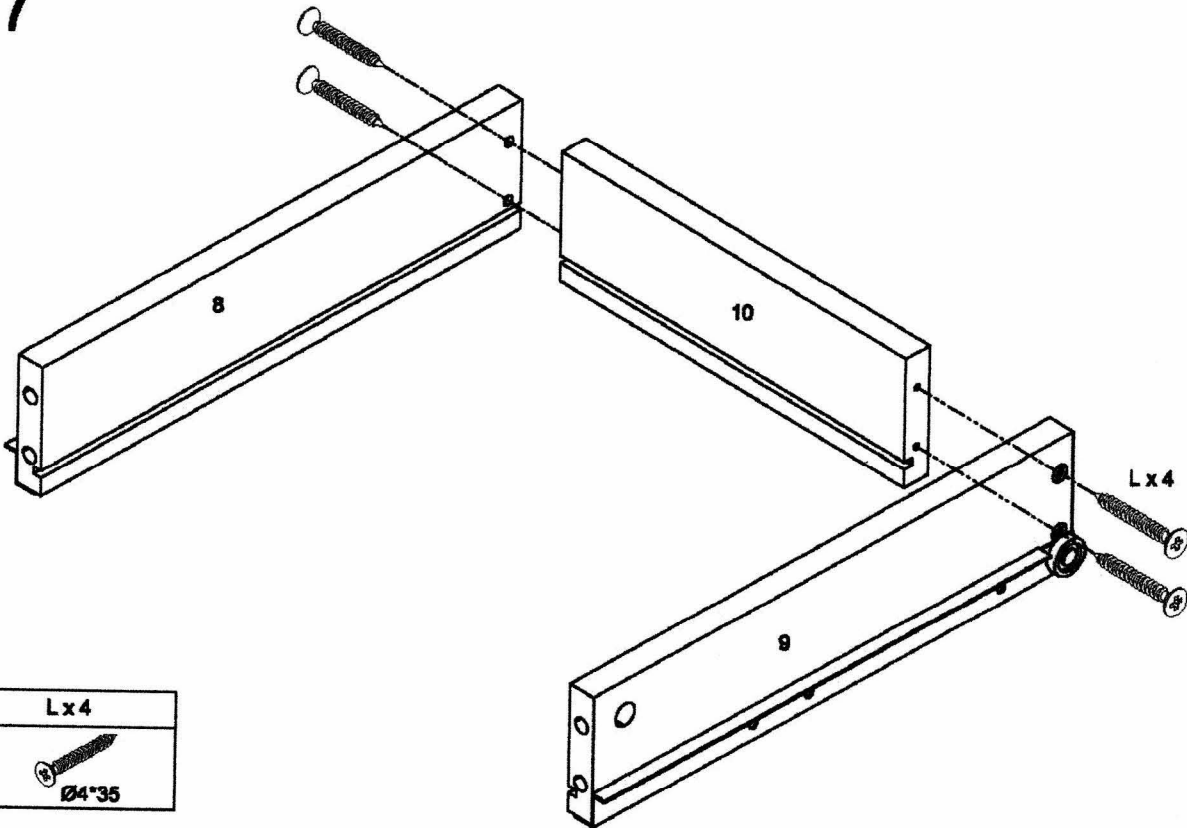



Dx4

Ø3.5*14

I x 1

300

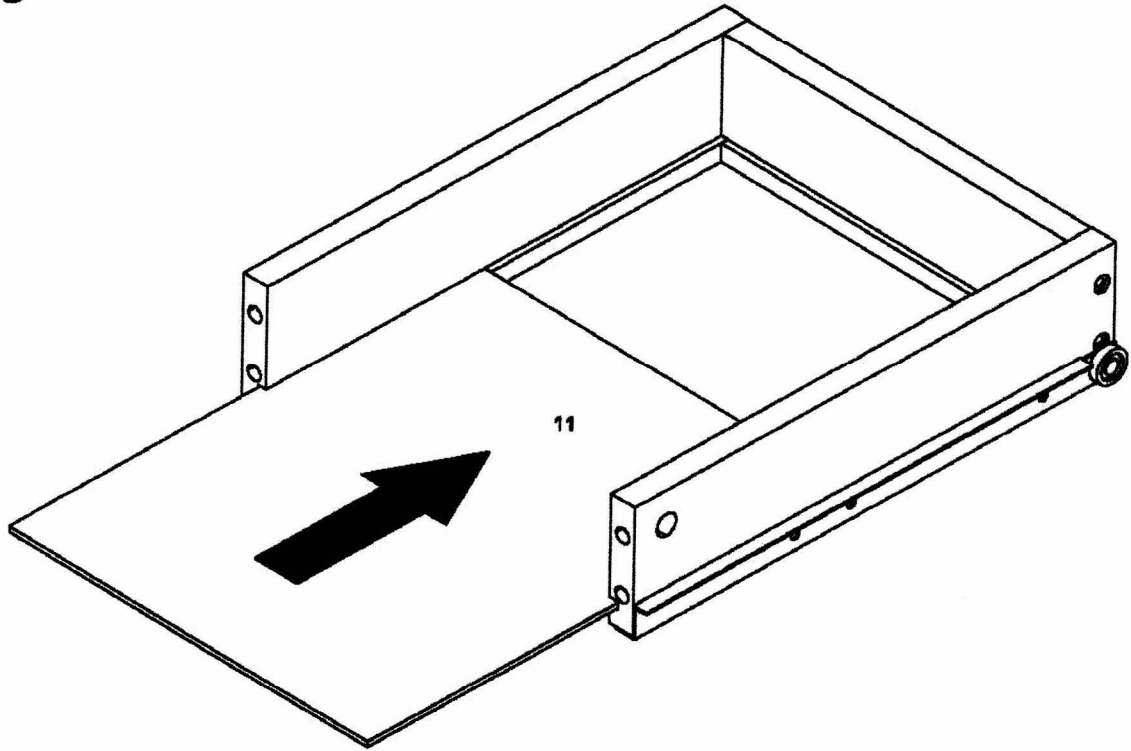
J x 1

300

7

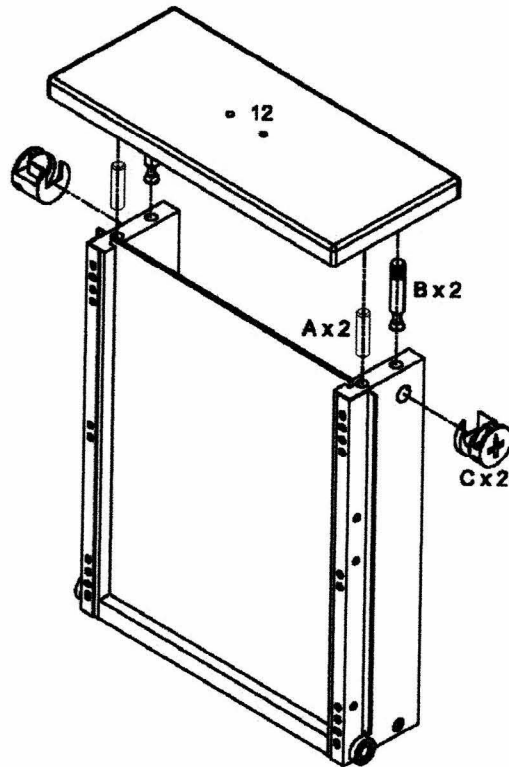





Lx4

Ø4*35

8

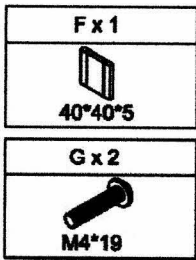
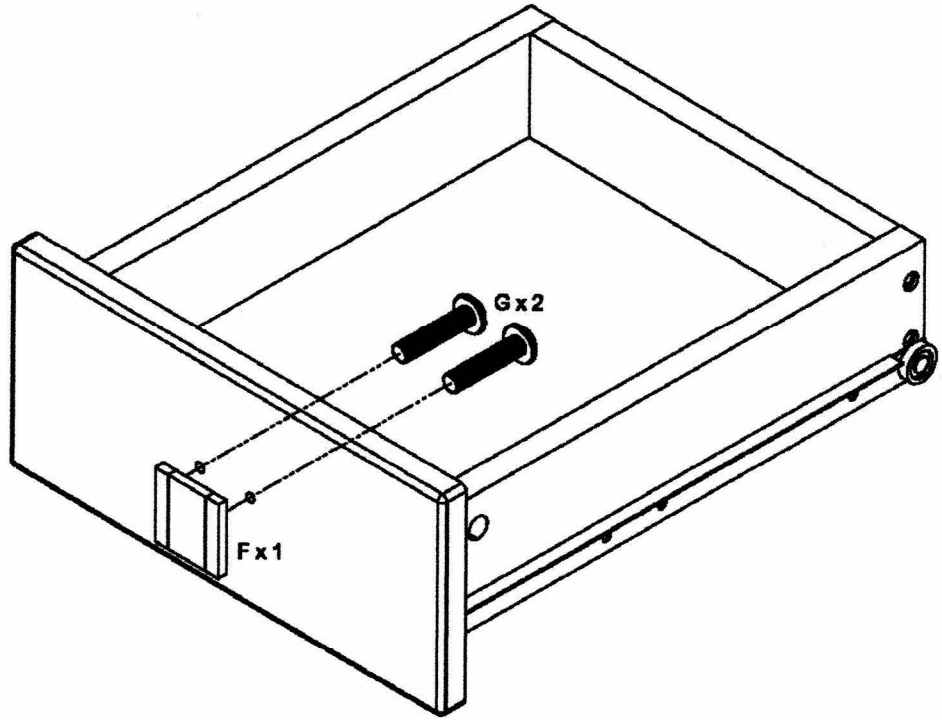


9



A x 2

Ø7.8*30
B x 2

M6*24
C x 2

Ø12*12

10



11

