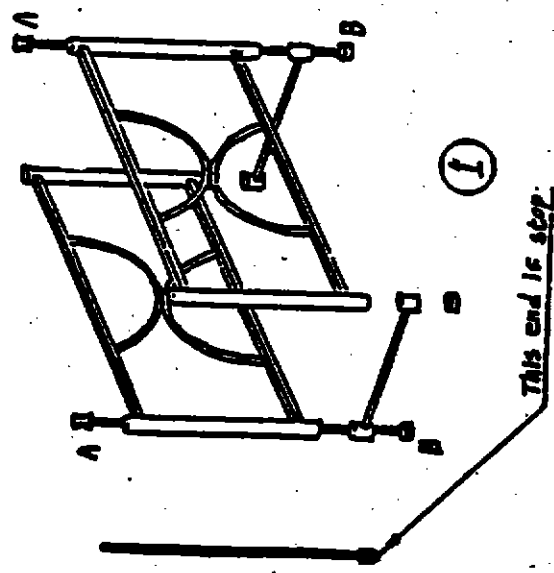
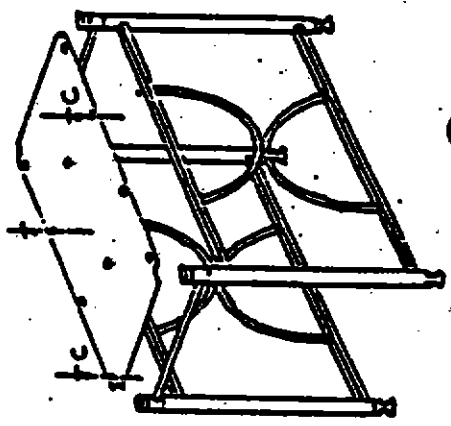


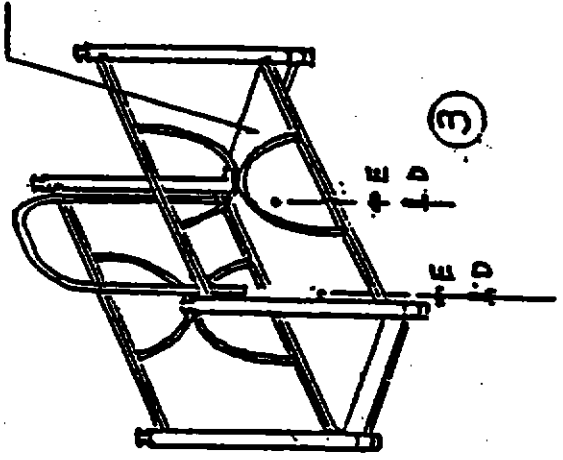
Grinding - floor must be faced up








(1)



(2)



(3)

- |   |   |   |
|---|---|---|
| A |  | 4 pcs                                       |
| B |  | 4 pcs                                       |
| C |  | $\frac{3}{16}$ " x 10 $\frac{1}{2}$ " 8 pcs |
| D |  | $\frac{1}{4}$ " x $\frac{3}{4}$ " 2 pcs     |
| E |  | WASHER 2 pcs                                |

49102