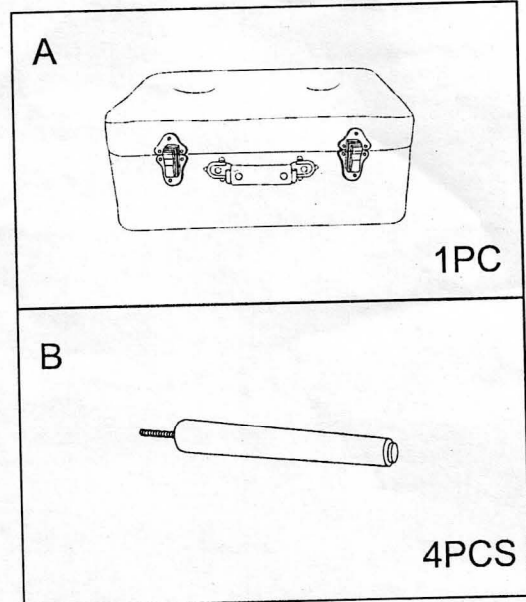
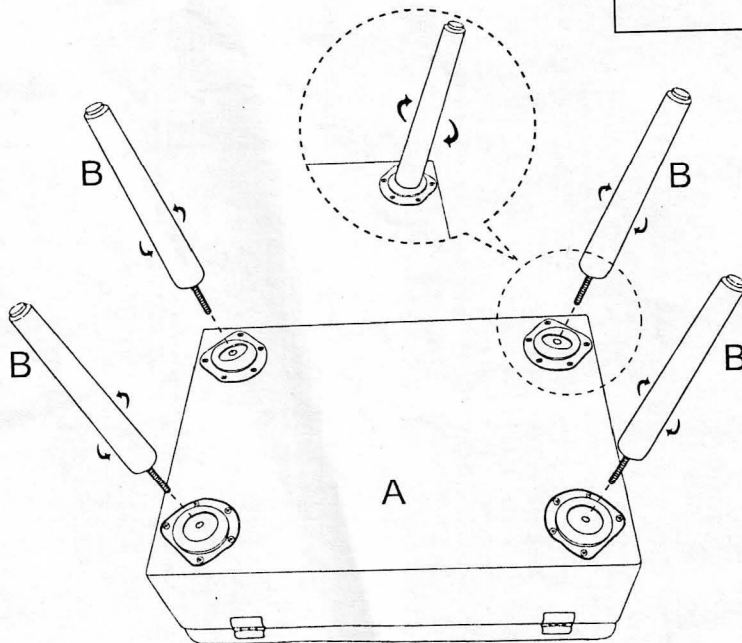


19151 PO.6542



STEP 1



COMPLETION

