
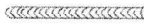

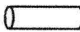




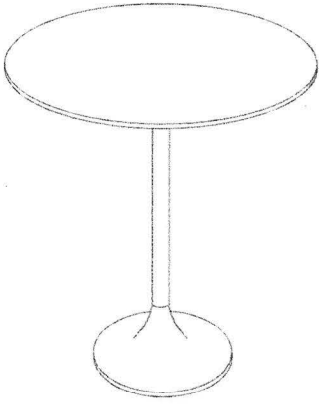
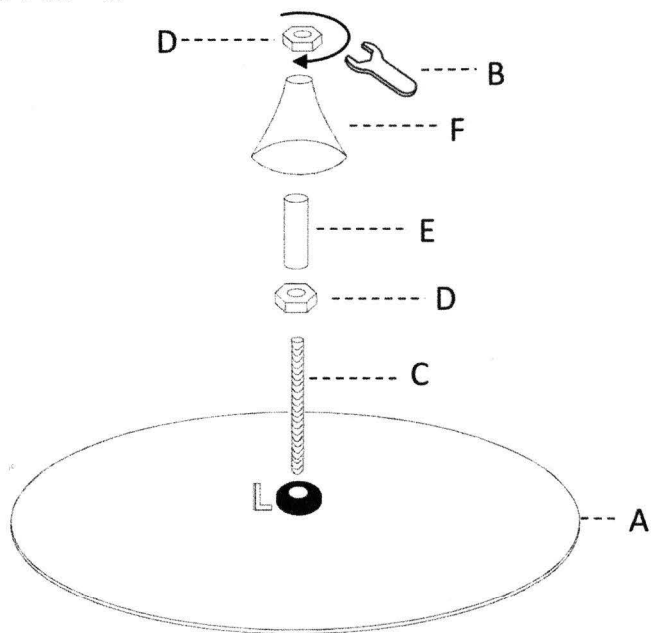
	A × 1
	B × 1
	C × 1
	D × 2
	E × 1
	F × 1
	G × 1
	H × 1
	I × 4
	

STEP 1



STEP 2

