

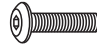


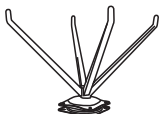
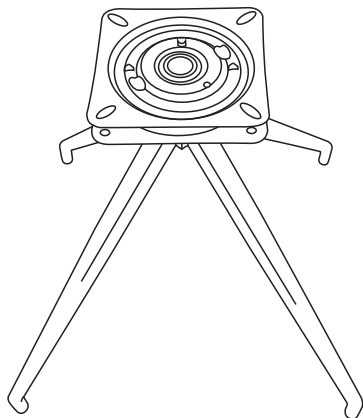


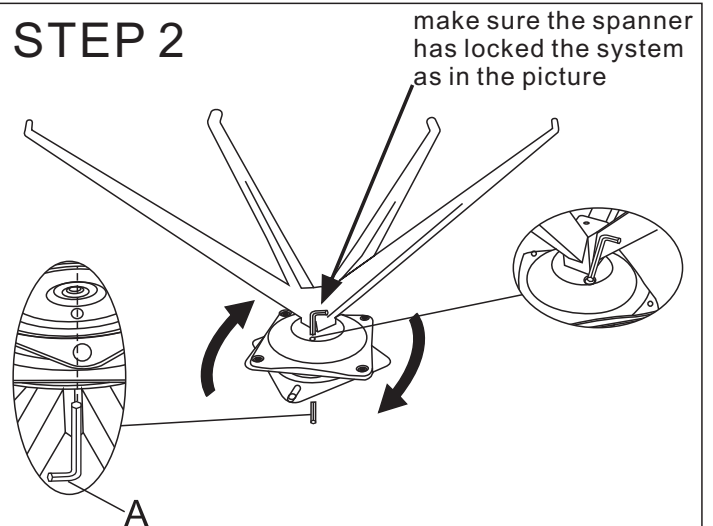
# ASSEMBLY INSTRUCTION CH-131

	<b>A</b> X2 	<b>B</b> X4  6*30mm	<b>C</b> X4 	<b>D</b> X1 	<b>E</b> X1 
---	--	--	--	--	--

## STEP 1

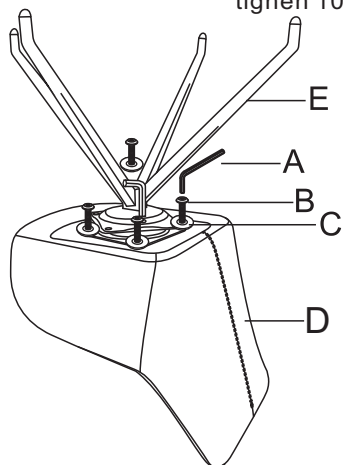


## STEP 2

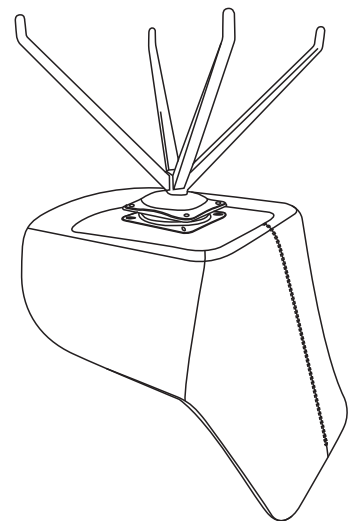


## STEP 3

assembly the screws by hand first and than remove the spanner to tighen 100%



## STEP 4



## STEP 5

